

**TECHNICAL DATA** NOTE: DATA MAY VARY BY CONFIGURATION. SEE CONFIGURATION SECTION.

Body Type	apiliables
Interface	ISO 05
Capacity	120 L/min.
Seal Plate Included (see notes)	No
Stack Height	49 mm

**OPTION SELECTION EXAMPLE: YDEELHNBA**

CONTROL	(L) FUNCTIONAL SETTING RANGE	(H) SEAL MATERIAL	(N)
<b>L</b> Standard Screw Adjustment	<b>H</b> 1000 - 4000 psi w/25 psi Check (70 - 280 bar w/ 1,7 bar Check), 3000 psi (210 bar) Standard Setting	<b>N</b> Buna-N	
<b>C</b> Tamper Resistant - Factory Set	<b>A</b> 1000 - 4000 psi w/4 psi Check (70 - 280 bar w/ 0,3 bar Check), 3000 psi (210 bar) Standard Setting	<b>V</b> Viton	
	<b>B</b> 400 - 1500 psi w/4 psi Check (28 - 105 bar w/ 0,3 bar Check), 1000 psi (70 bar) Standard Setting		

**PRIMARY CARTRIDGE** (B)

<b>B</b> B (with CBEJ primary cartridge, Proporción de pilotaje 3:1 , capacidad estándar contrabalance válvula )
<b>B</b> B (with CBEJX primary cartridge, )

**INCLUDED COMPONENTS**

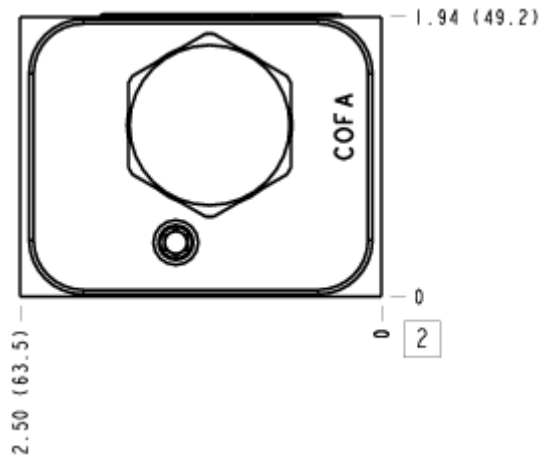
Part	Description	Quantity
340-001*	Pipe Plug	2
500-001-014*	O-Ring	5
CBEJLHN	Cartridge - Primary	1
COFAXEN	Cartridge	1

**MANIFOLD FACES**

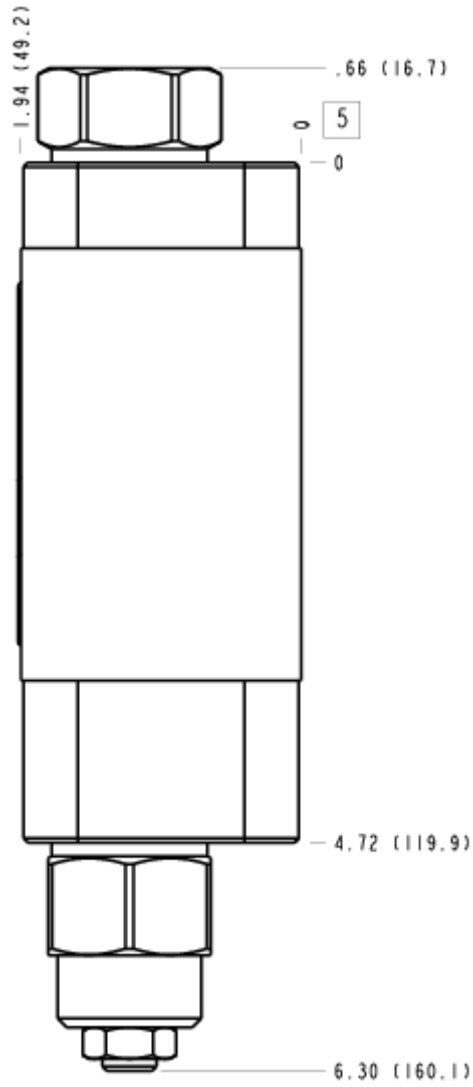
**FACE GRID**

1	2	3	4
5	6	7	8
9	10	11	12

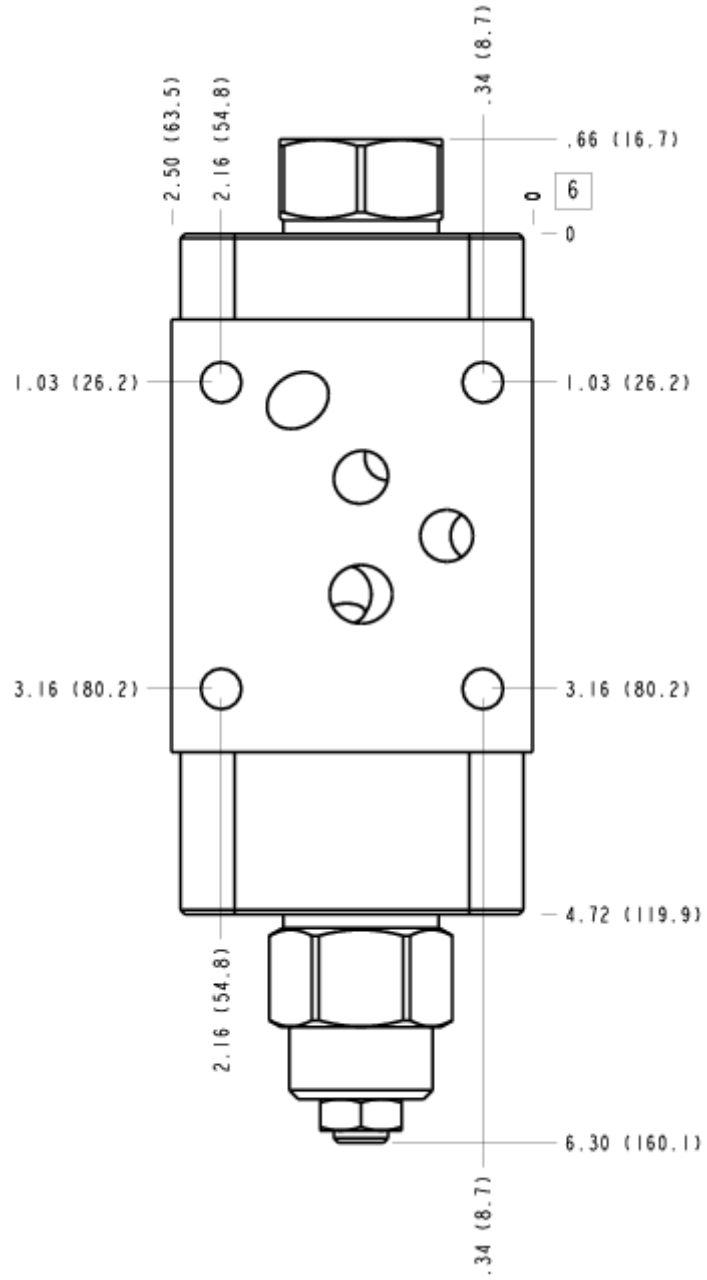
### FACE 2



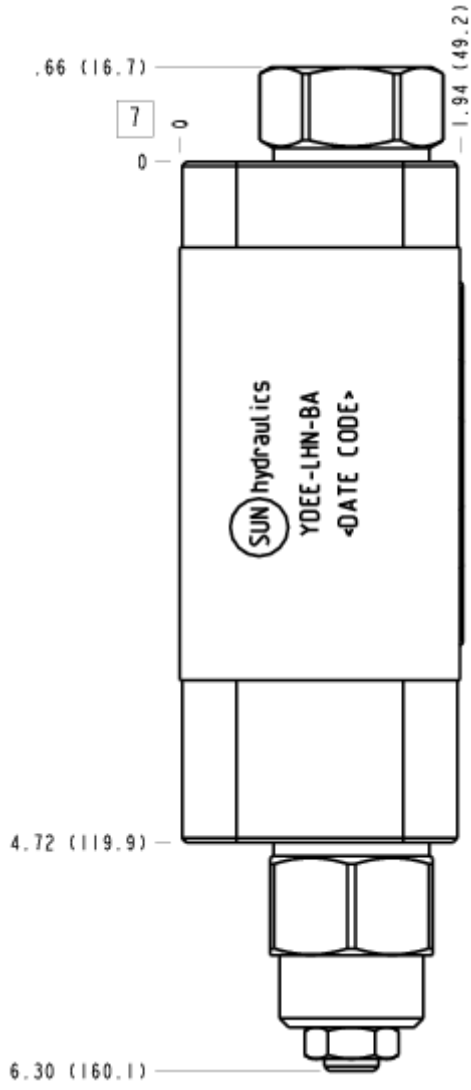
### FACE 5



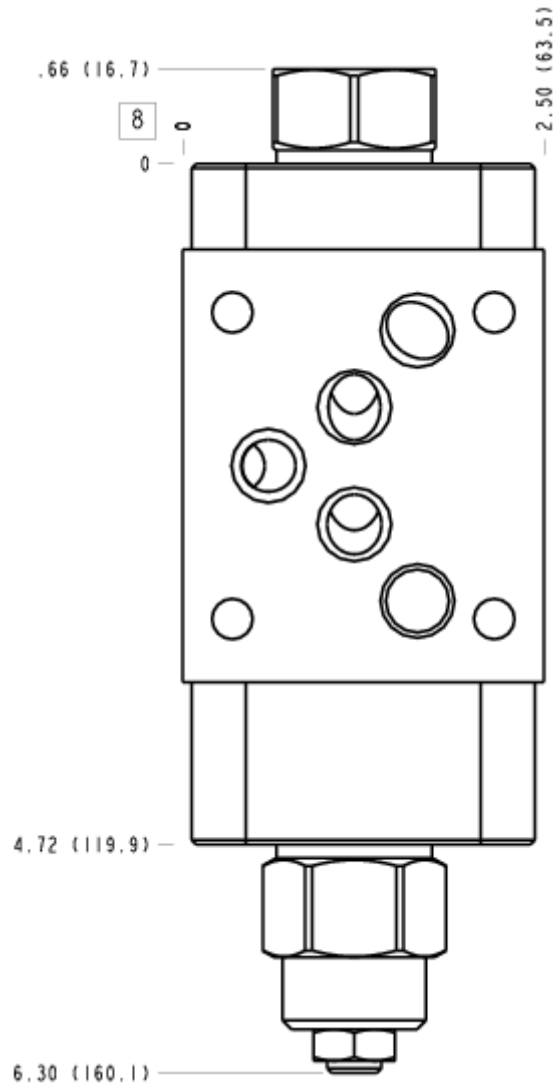
# FACE 6



FACE 7



### FACE 8



### FACE 10

