

TECHNICAL DATA NOTE: DATA MAY VARY BY CONFIGURATION. SEE CONFIGURATION SECTION.

Body Type	montaje en línea
Capacity	200 L/min.
Mounting Hole Diameter	10,4 mm
Mounting Hole Quantity	2

OPTION SELECTION EXAMPLE: YDEFLHNM

CONTROL	(L) FUNCTIONAL SETTING RANGE	(H) SEAL MATERIAL	(N)
L Standard Screw Adjustment	H 1000 - 4000 psi w/25 psi Check (70 - 280 bar w/ 1,7 bar Check), 3000 psi (210 bar) Standard Setting	N Buna-N	
C Tamper Resistant - Factory Set	A 1000 - 4000 psi w/4 psi Check (70 - 280 bar w/ 0,3 bar Check), 3000 psi (210 bar) Standard Setting	V Viton	
	B 400 - 1500 psi w/4 psi Check (28 - 105 bar w/ 0,3 bar Check), 1000 psi (70 bar) Standard Setting		

PRIMARY CARTRIDGE (A)

A	A (with CBEA primary cartridge, Proporción de pilotaje 3:1 , capacidad estándar contrabalance válvula)
A	A (with CBEAX primary cartridge, Ajuste fijo, proporción de pilotaje 3:1 , capacidad estándar contrabalance válvula)

INCLUDED COMPONENTS

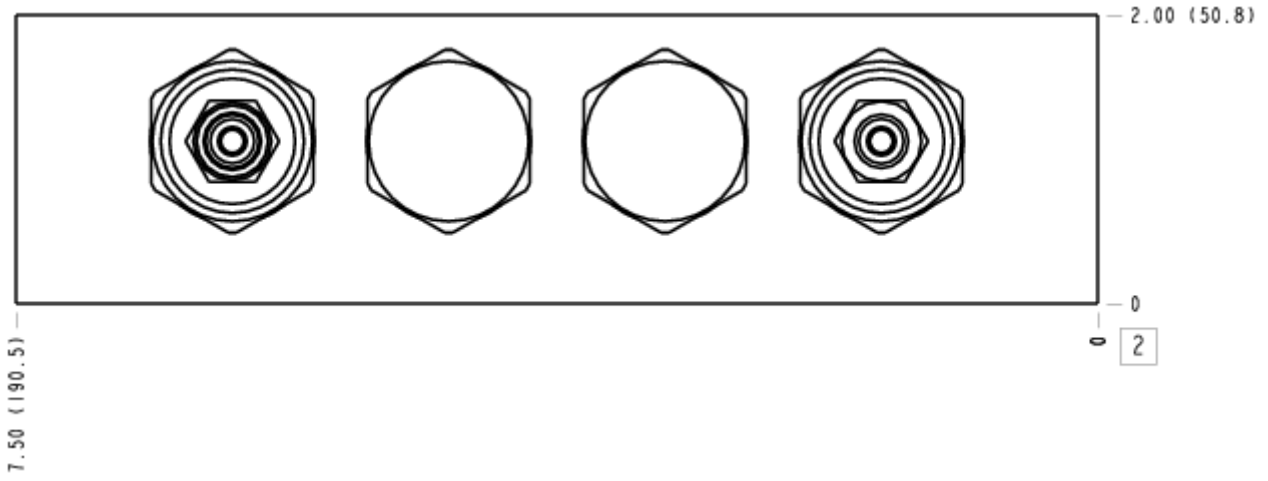
Part	Description	Quantity
340-001*	Pipe Plug	1
CBEALHN	Cartridge - Primary	1
CKEBLCN	Cartridge	1
CKEBXCN	Cartridge	1
COFAXEN	Cartridge	1

MANIFOLD FACES

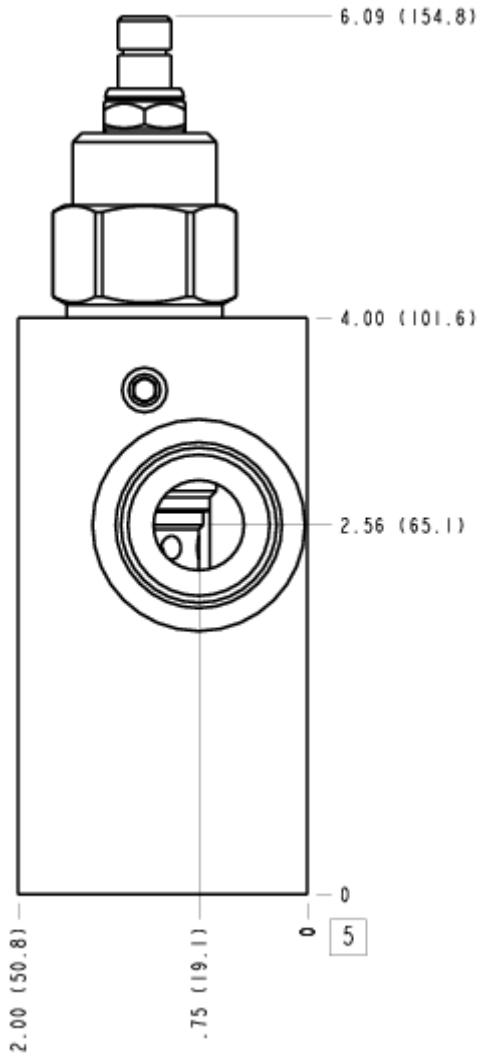
FACE GRID

1	2	3	4
5	6	7	8
9	10	11	12

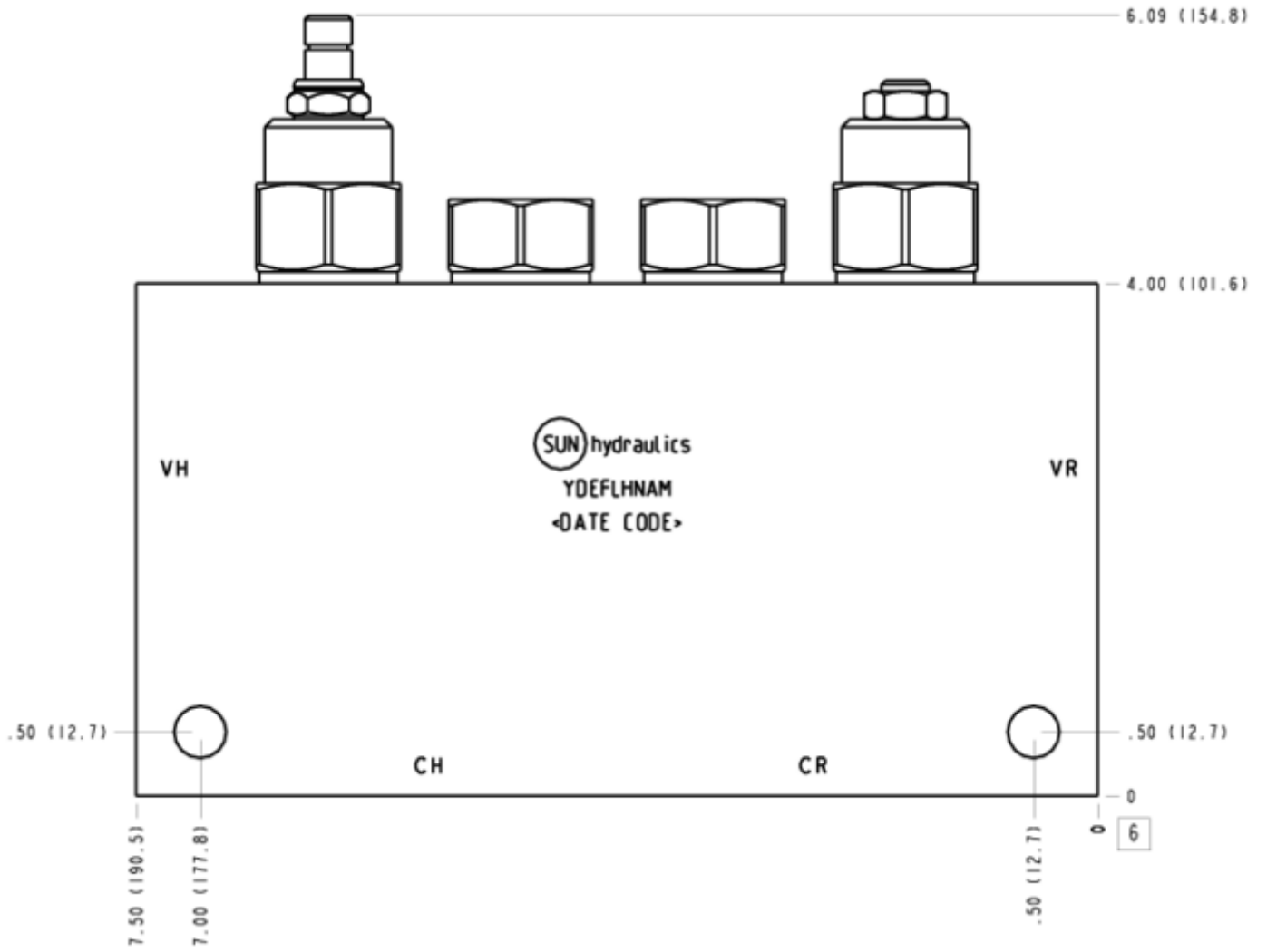
FACE 2



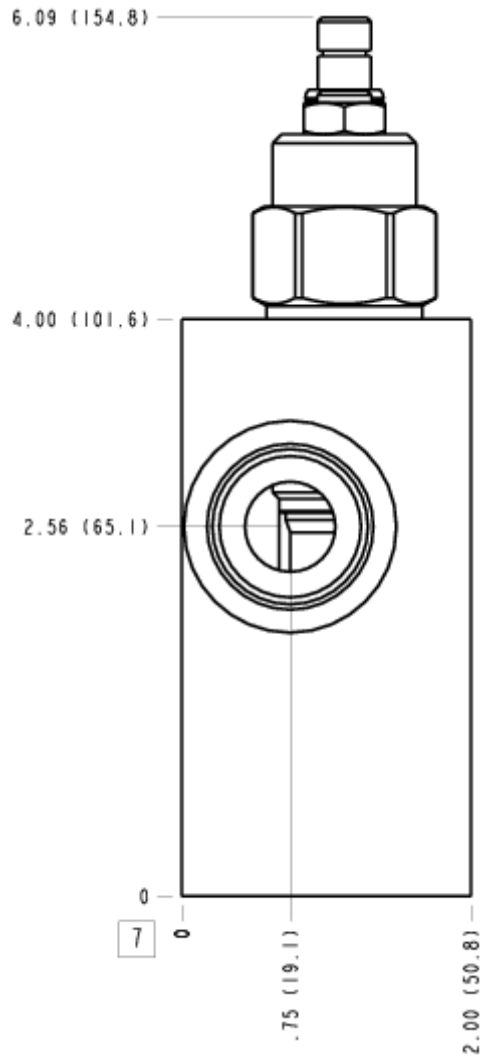
FACE 5



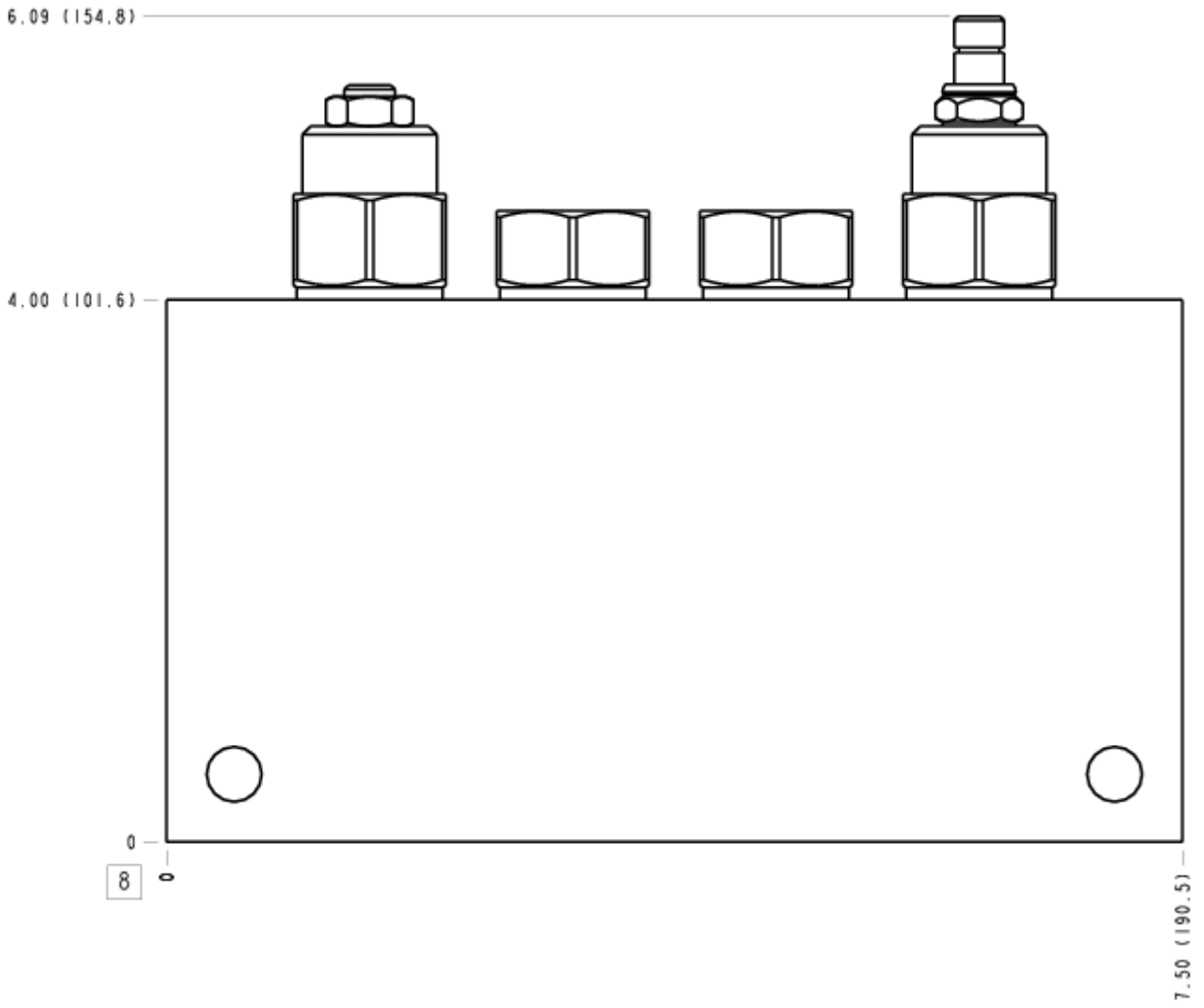
FACE 6



FACE 7



FACE 8



FACE 10

