

TECHNICAL DATA NOTE: DATA MAY VARY BY CONFIGURATION. SEE CONFIGURATION SECTION.

	ISO 05
	120 L/min.
	10,4 mm
	15,0 mm
	14,2 mm
	2

OPTION SELECTION EXAMPLE: YDEMLHNBL

(L)	(H)	(N)
L	H 1000 - 4000 psi 25 psi (70 - 280 bar 1.), 3000 psi (210 bar)	N
	A 1000 - 4000 psi 4 psi (70 - 280 bar 0.3 bar), 3000 psi (210 bar)	V
	B 400 - 1500 psi 4 psi (28 - 105 bar 0.3 bar), 1000 psi (70 bar)	
	I 400 - 1500 psi 25 psi (28 - 105 bar 1.7 bar), 1000 psi (70 bar)	

PRIMARY CARTRIDGE

(B)

B	B (with CBEA primary cartridge, 3:1,)
B	B (with CBEAX primary cartridge, , 3:1,)

INCLUDED COMPONENTS

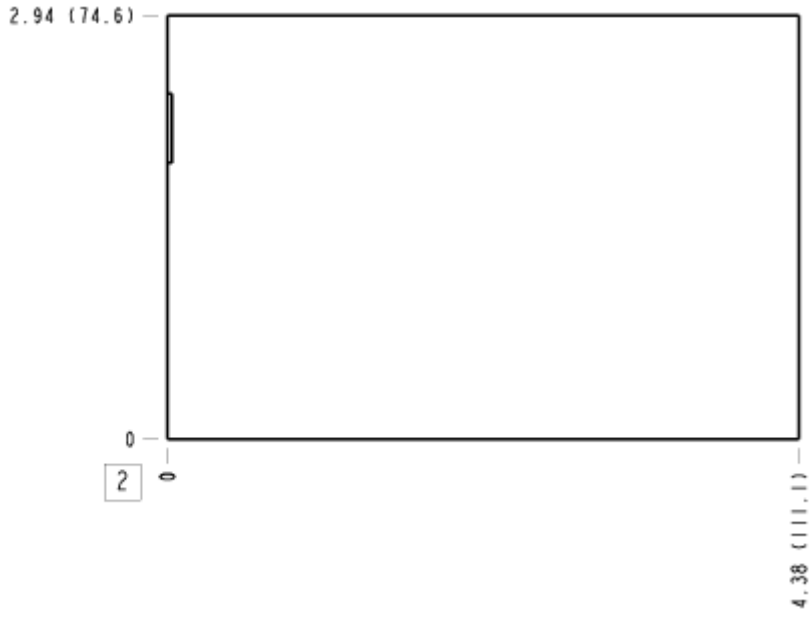
Part	Description	Quantity
CBEALHN	Cartridge - Primary	1
COFAXEN	Cartridge	1
RPECLAN	Cartridge	1

MANIFOLD FACES

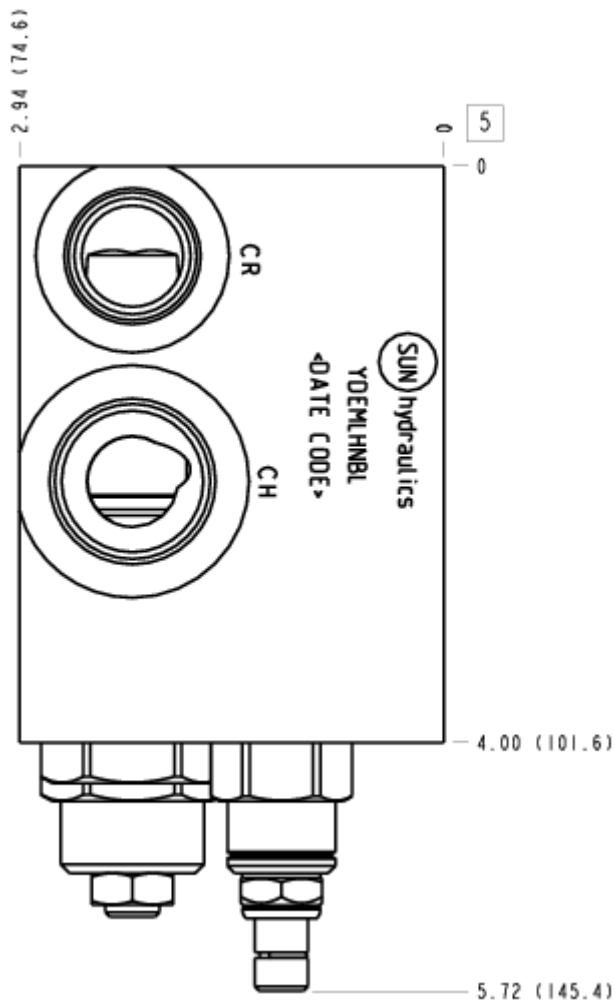
FACE GRID

1	2	3	4
5	6	7	8
9	10	11	12

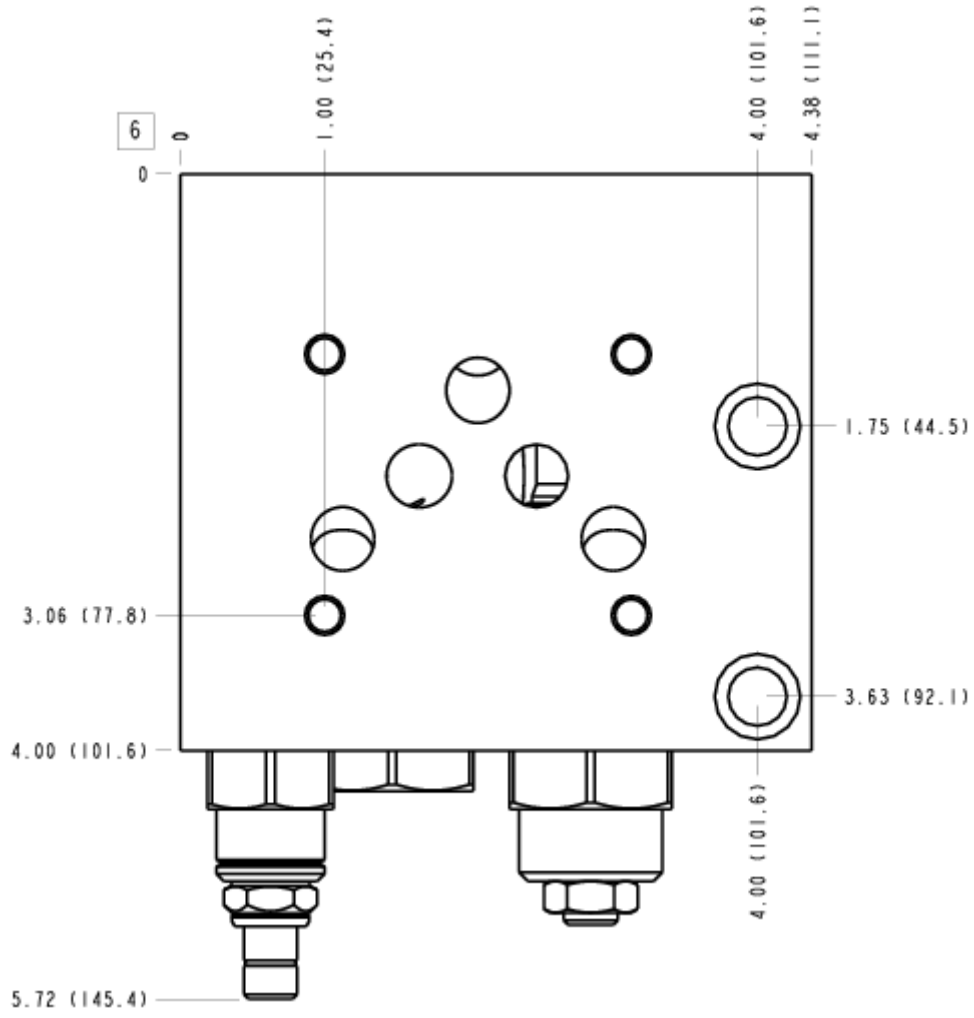
FACE 2



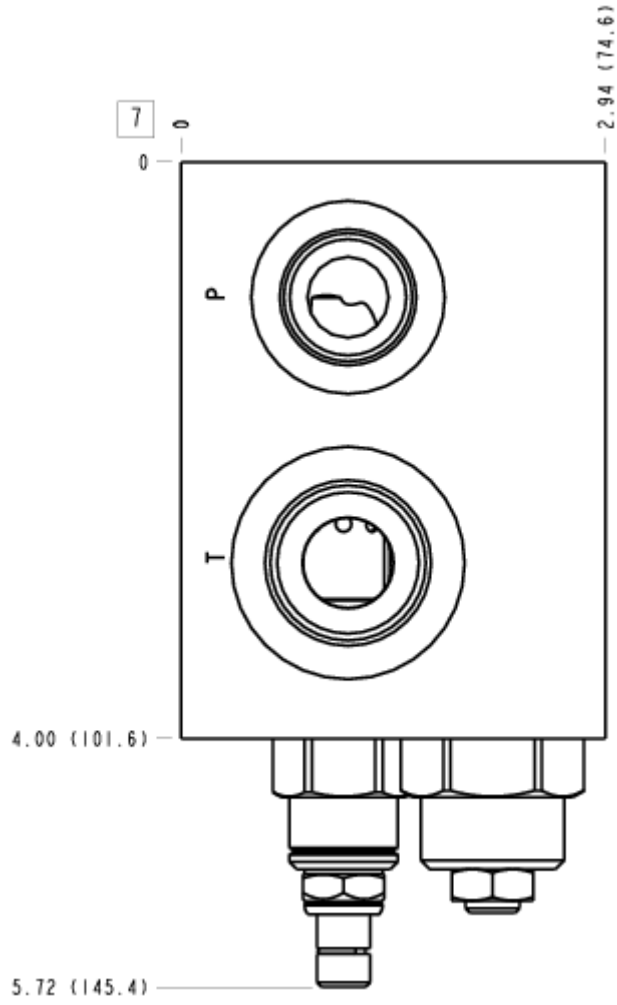
FACE 5



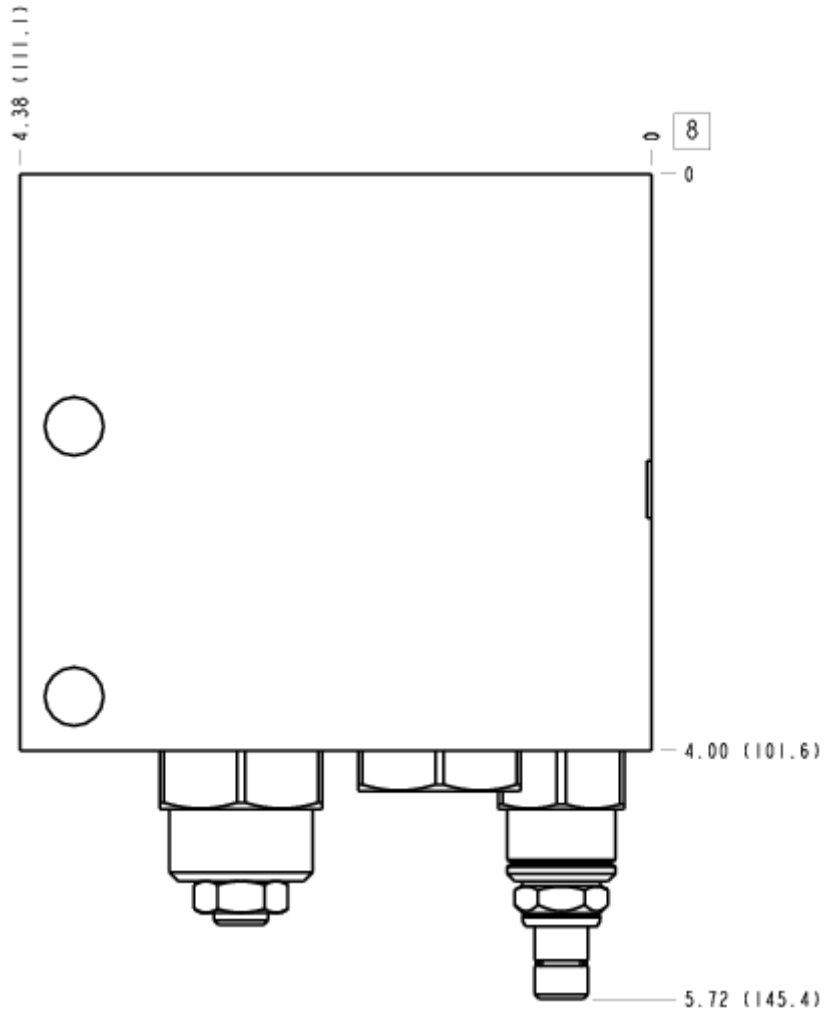
FACE 6



FACE 7



FACE 8



FACE 10

