

TECHNICAL DATA

Body Type	Sandwich
Interface	ISO 05
Capacity	80 L/min.
Body Features	B to A
Seal Plate Included (see notes)	No
Stack Height	49 mm

OPTION SELECTION EXAMPLE: YDENXCNBA

CONTROL	(X) CRACKING PRESSURE	(C) SEAL MATERIAL	(N)
X Not Adjustable	C 30 psi (2 bar)	N Buna-N	
	D 50 psi (3,5 bar)	V Viton	
	E 75 psi (5 bar)		
	F 100 psi (7 bar)		

PRIMARY CARTRIDGE **(B)**

B B (with CXEE primary cartridge, Caudal libre del lado a la nariz anti-retorno válvula con puerto 3 bloqueado)
--

INCLUDED COMPONENTS

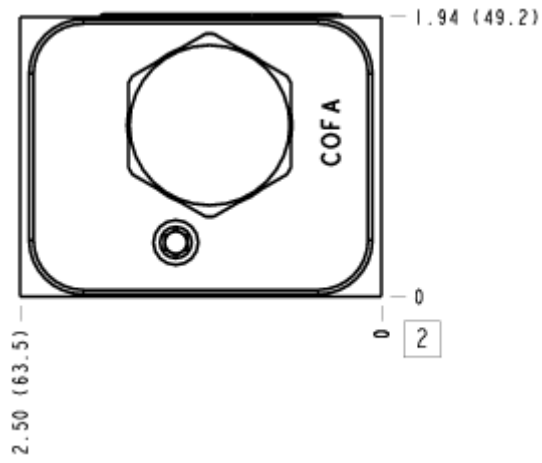
Part	Description	Quantity
340-001*	Pipe Plug	2
500-001-014*	O-Ring	5
COFAXEN	Cartridge	1
CXEEXCN	Cartridge - Primary	1

MANIFOLD FACES

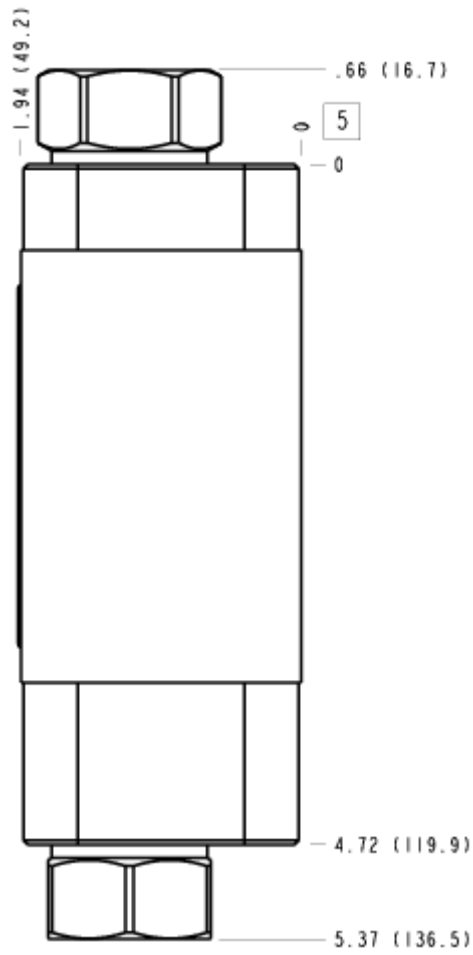
FACE GRID

1	2	3	4
5	6	7	8
9	10	11	12

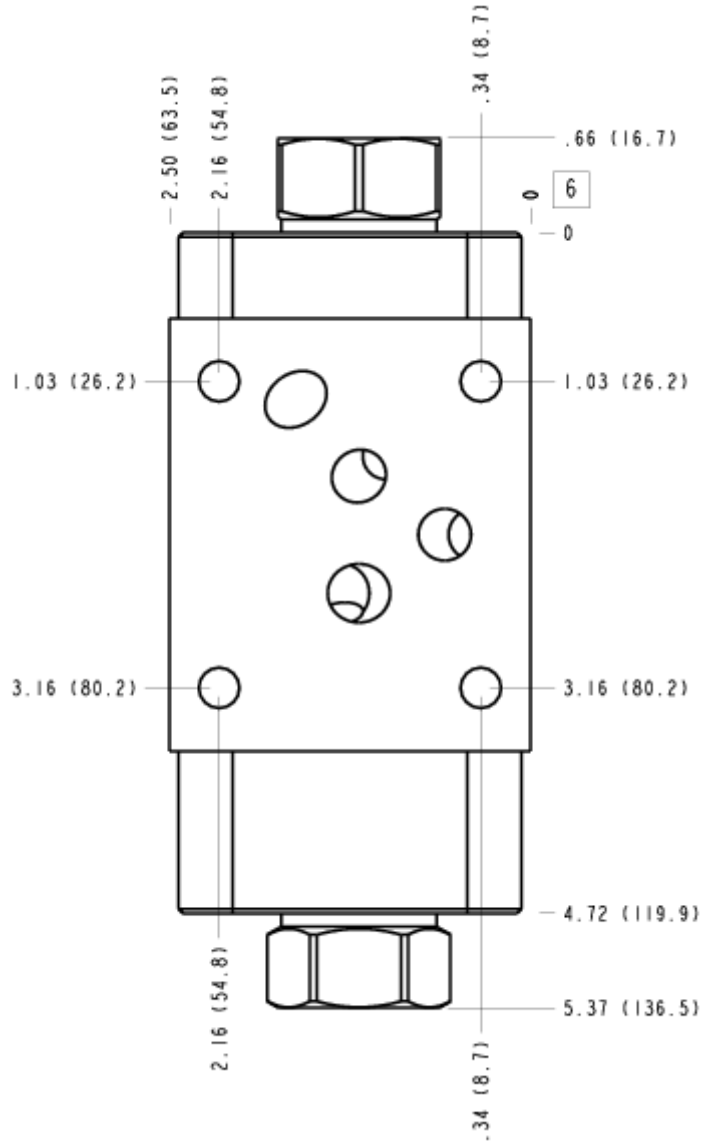
FACE 2



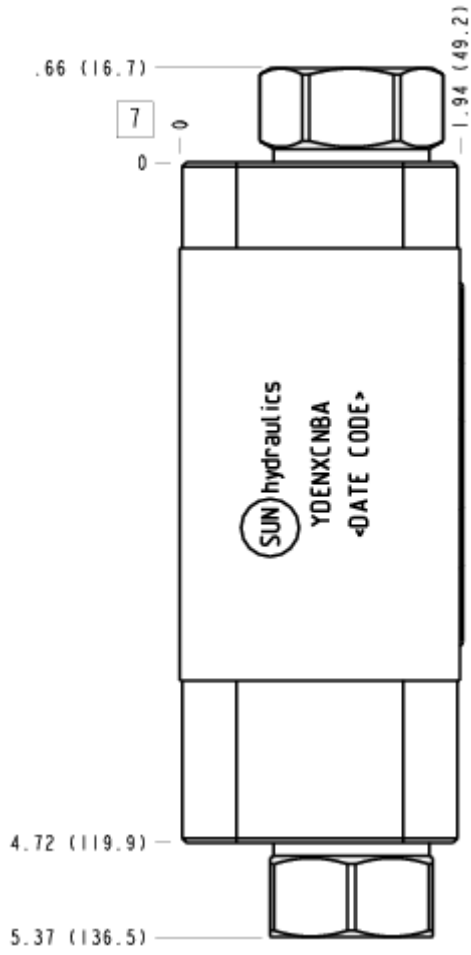
FACE 5



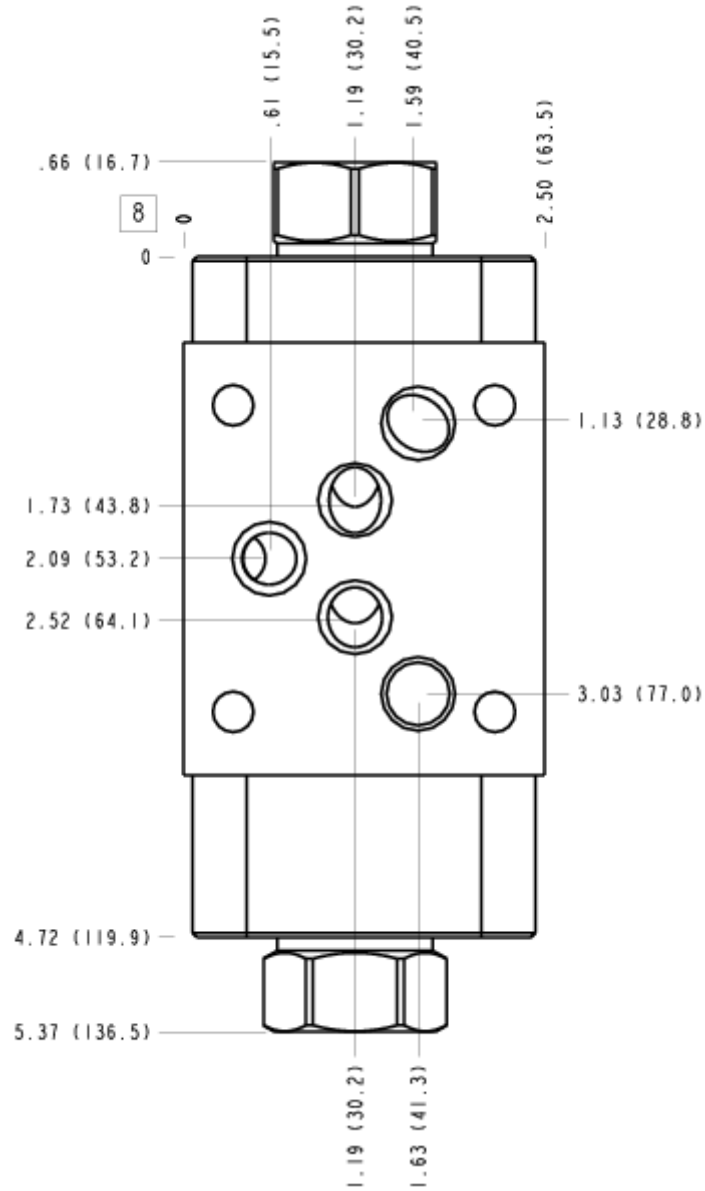
FACE 6



FACE 7



FACE 8



FACE 10

