

TECHNICAL DATA

Body Type	Line mount
Capacity	120 L/min.
Mounting Hole Diameter	10,7 mm
Mounting Hole Depth	Through
Mounting Hole Quantity	2

OPTION SELECTION EXAMPLE: YDEPXCNAL

CONTROL	(X) CRACKING PRESSURE	(C) SEAL MATERIAL	(N)
X Not Adjustable	C 30 psi (2 bar)	N Buna-N	
	D 50 psi (3,5 bar)	V Viton	
	E 75 psi (5 bar)		
	F 100 psi (7 bar)		

PRIMARY CARTRIDGE (A)

A	A (with CXEE primary cartridge. Caudal libre del lado a la nariz anti-retorno válvula con puerto 3 bloqueado)
----------	---

INCLUDED COMPONENTS

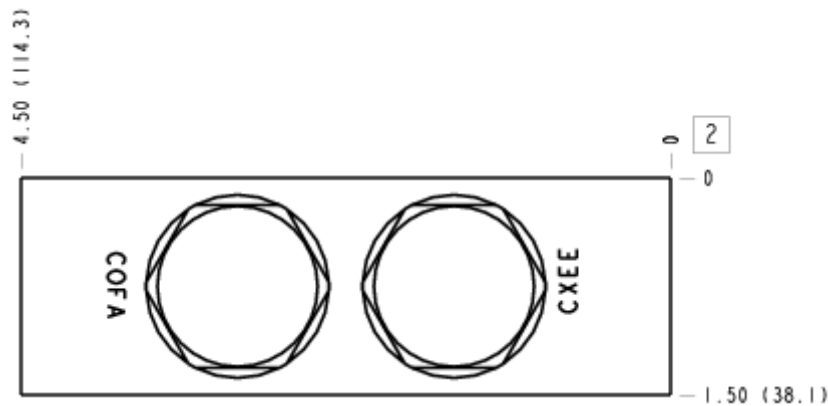
Part	Description	Quantity
COFAXEN	Cartridge	1
CXEEXCN	Cartridge - Primary	1

MANIFOLD FACES

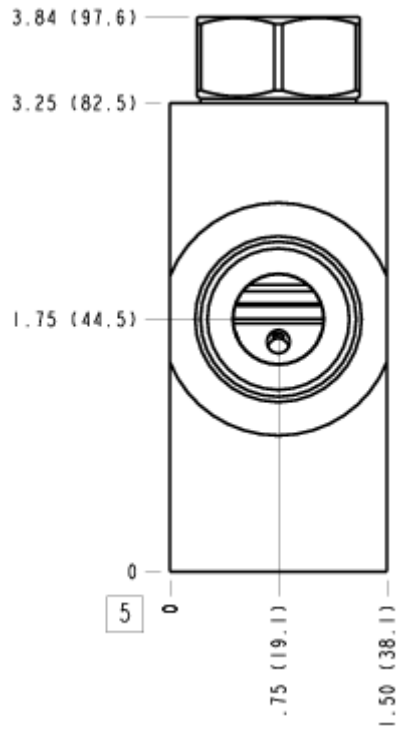
FACE GRID

1	2	3	4
5	6	7	8
9	10	11	12

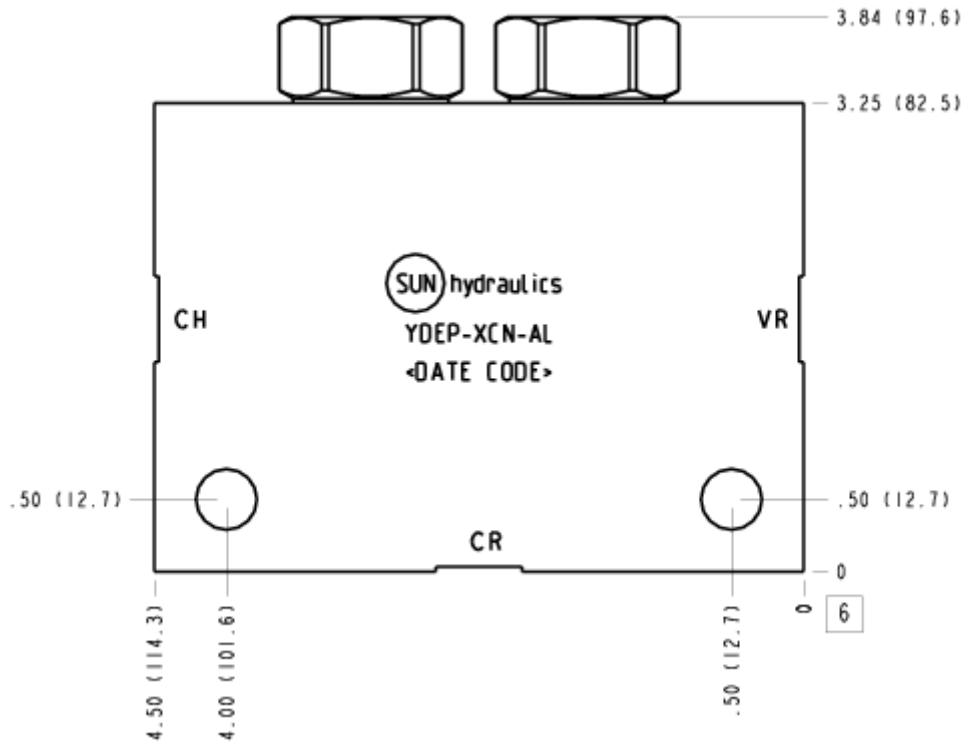
FACE 2



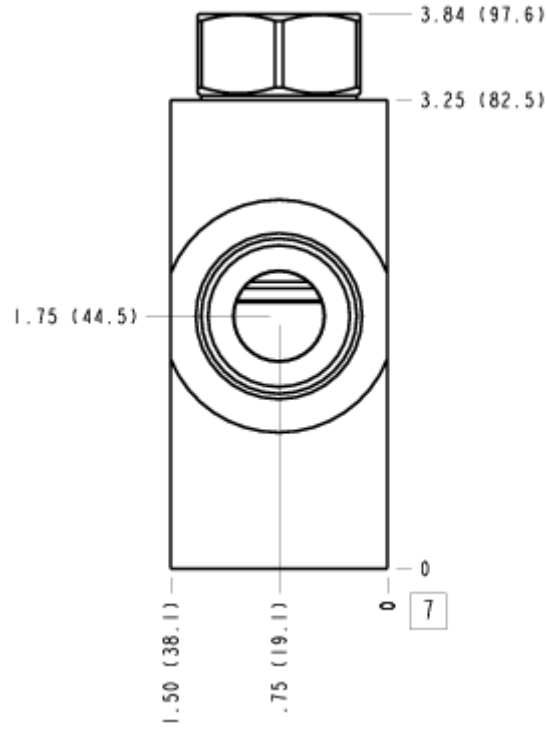
FACE 5



FACE 6



FACE 7



FACE 10

