

TECHNICAL DATA NOTE: DATA MAY VARY BY CONFIGURATION. SEE CONFIGURATION SECTION.

Body Type	montaje en línea
Capacity	120 L/min.
Mounting Hole Diameter	10,7 mm
Mounting Hole Depth	Through
Mounting Hole Quantity	2

OPTION SELECTION EXAMPLE: YDEQLJNAL

CONTROL	(L) FUNCTIONAL SETTING RANGE	(J) SEAL MATERIAL	(N)
L Standard Screw Adjustment	J 2000 - 5000 psi w/25 psi Check (140 - 350 bar w/ 1,7 bar Check), 3000 psi (210 bar) Standard Setting	N Buna-N	
C Tamper Resistant - Factory Set	B 400 - 1500 psi w/4 psi Check (28 - 105 bar w/ 0,3 bar Check), 1000 psi (70 bar) Standard Setting	V Viton	
	C 2000 - 5000 psi w/4 psi Check (140 - 350 bar w/ 0,3 bar Check), 3000 psi (210 bar) Standard Setting		
	D 1000 - 2500 psi w/4 psi Check (70 - 175 bar w/ 0,3 bar Check), 2000 psi (140 bar) Standard Setting		
	K 1000 - 2500 psi w/25 psi Check (70 - 175 bar w/ 1,7 bar Check), 2000 psi (140 bar) Standard Setting		

PRIMARY CARTRIDGE (A)

A	A (with CBEW primary cartridge, Proporción de pilotaje 1:1 , capacidad estándar contrabalance válvula)
A	A (with CBEWX primary cartridge, Ajuste fijo, proporción de pilotaje 1:1 , capacidad estándar contrabalance válvula)

INCLUDED COMPONENTS

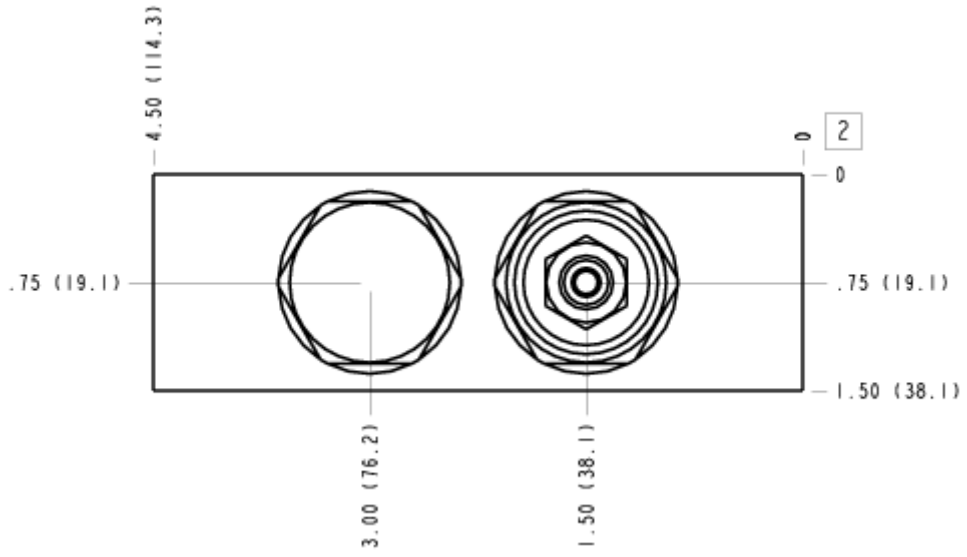
Part	Description	Quantity
CBEWLJN	Cartridge - Primary	1
COFAXEN	Cartridge	1

MANIFOLD FACES

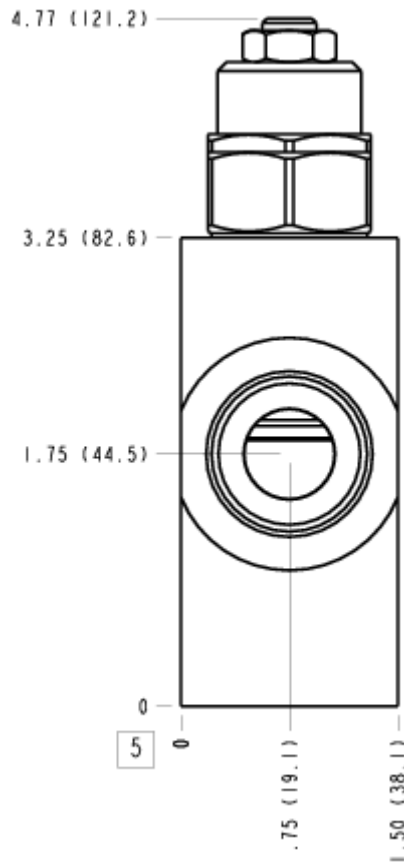
FACE GRID

1	2	3	4
5	6	7	8
9	10	11	12

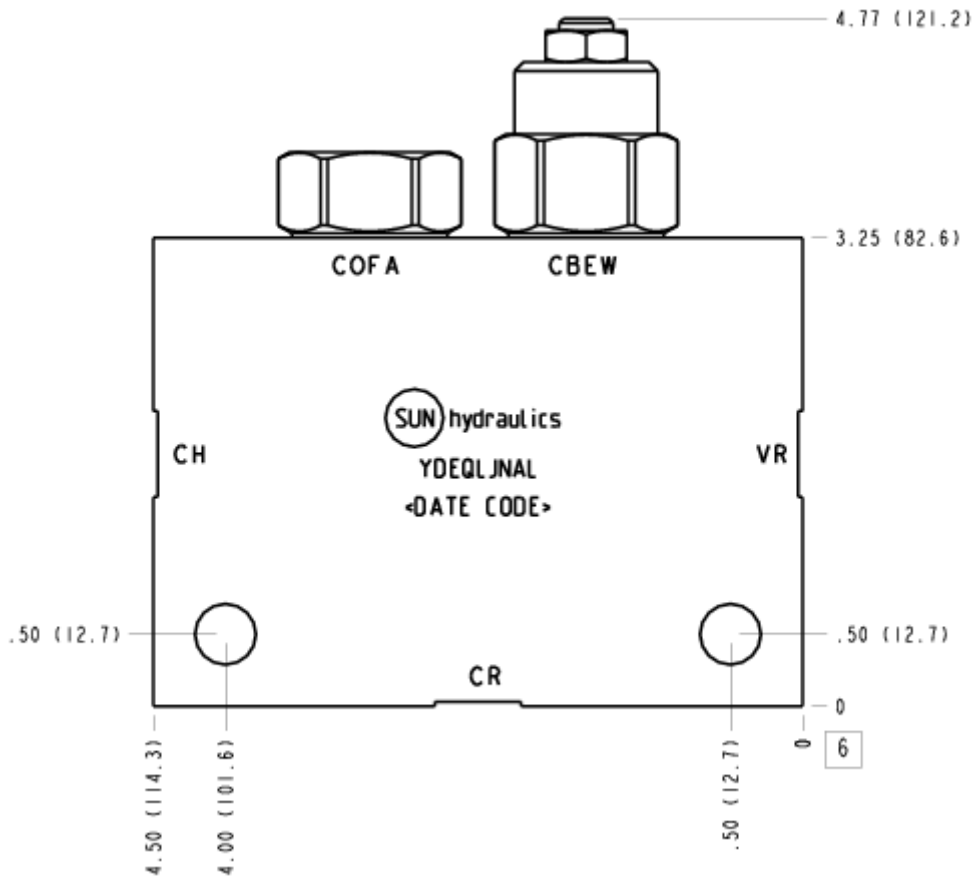
FACE 2



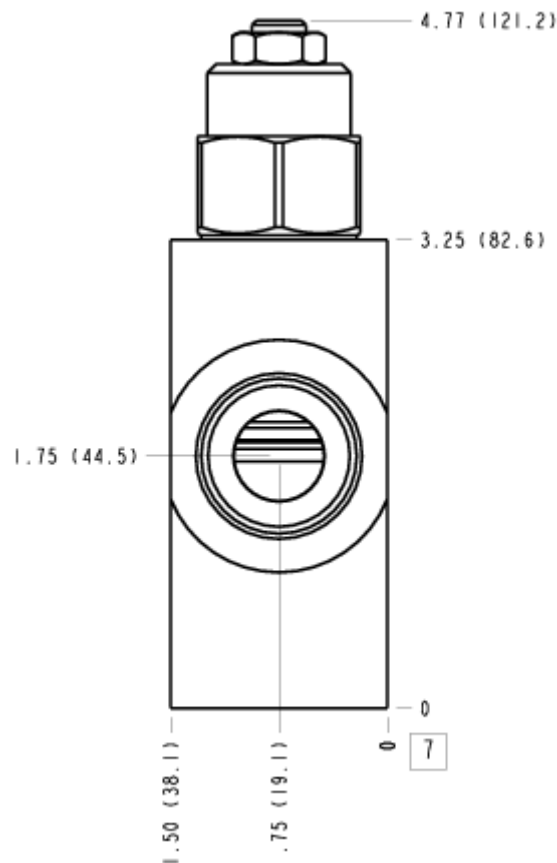
FACE 5



FACE 6



FACE 7



FACE 10

