

TECHNICAL DATA NOTE: DATA MAY VARY BY CONFIGURATION. SEE CONFIGURATION SECTION.

	120 L/min.
	10,7 mm
	Through
	2

OPTION SELECTION EXAMPLE: YDEQLJNAL

(L) (J) (N)

L	J	2000 - 5000 psi 25 psi (140 - 350 bar 1 bar), 3000 psi (210 bar)	N
	B	400 - 1500 psi 4 psi (28 - 105 bar 0.3 bar), 1000 psi (70 bar)	V
	C	2000 - 5000 psi 4 psi (140 - 350 bar 0.3 bar), 3000 psi (210 bar)	
	D	1000 - 2500 psi 4 psi (70 - 175 bar 0.3 bar), 2000 psi (140 bar)	

PRIMARY CARTRIDGE

(A)

A	A (with CBEW primary cartridge, 1:1,)
A	A (with CBEWX primary cartridge, , 1:1,)

INCLUDED COMPONENTS

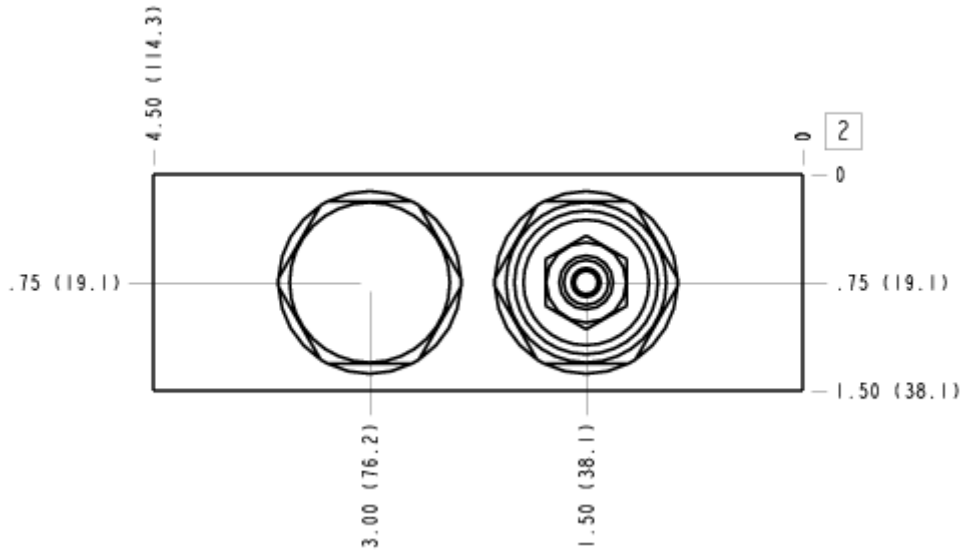
Part	Description	Quantity
CBEWLJN	Cartridge - Primary	1
COFAXEN	Cartridge	1

MANIFOLD FACES

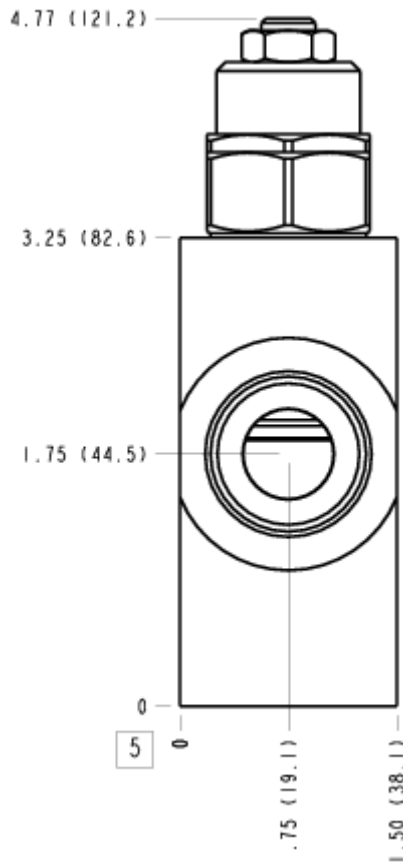
FACE GRID

1	2	3	4
5	6	7	8
9	10	11	12

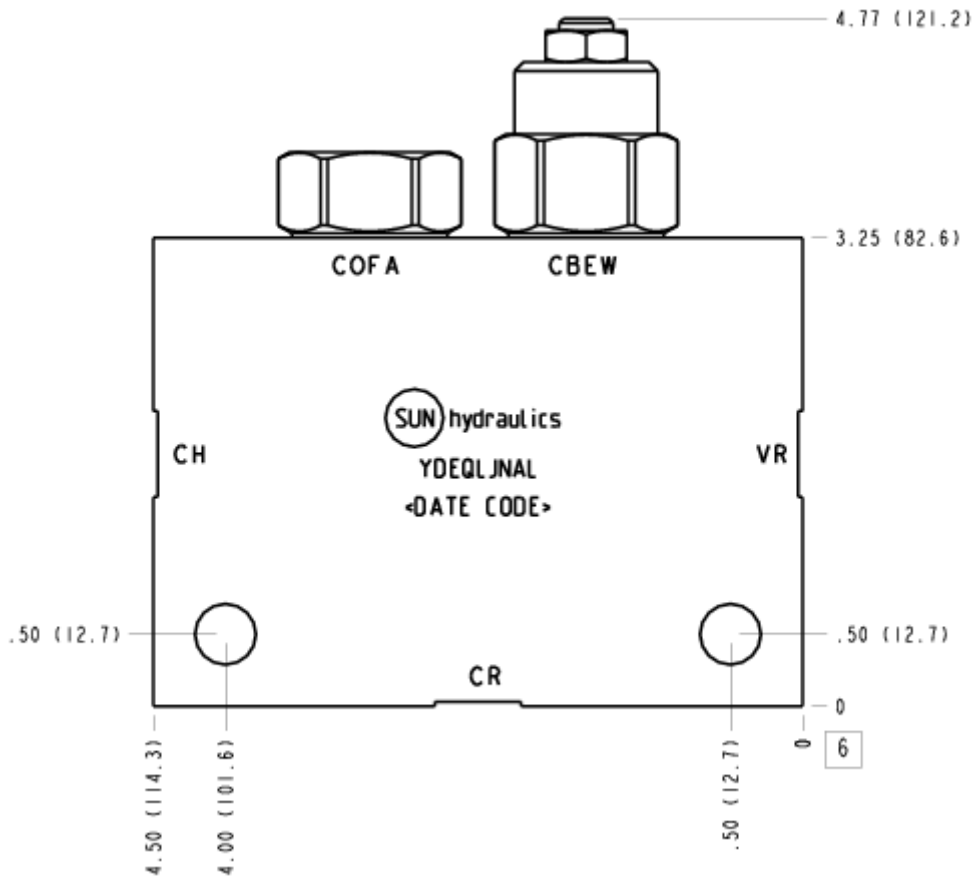
FACE 2



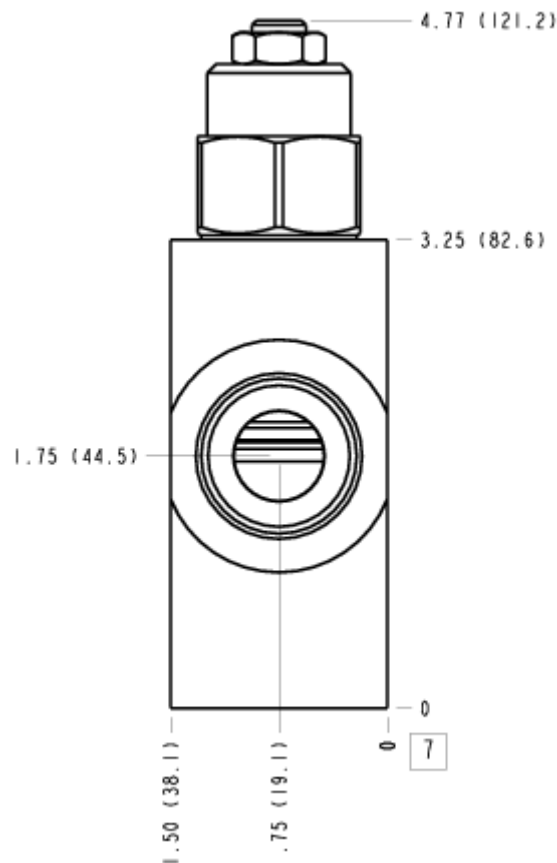
FACE 5



FACE 6



FACE 7



FACE 10

