

**CONFIGURATION**

X	
C	30 psi (2 bar)
N	
B Primary Cartridge	B (with CXEE primary cartridge, 3 )
B Port and Material Designation	B Aluminum

**TECHNICAL DATA** NOTE: DATA MAY VARY BY CONFIGURATION. SEE CONFIGURATION SECTION.

	ISO 05 - X&Y
	95 L/min.
Stack Height	63 mm
( )	
	B A

**OPTION SELECTION EXAMPLE: YDEWXCNBB**

(X) (C) (N)

X	C 30 psi (2 bar)	N
---	------------------	---

V

**PRIMARY CARTRIDGE**

(B)

B	B (with CXEE primary cartridge,	3 )
---	---------------------------------	-----

**INCLUDED COMPONENTS**

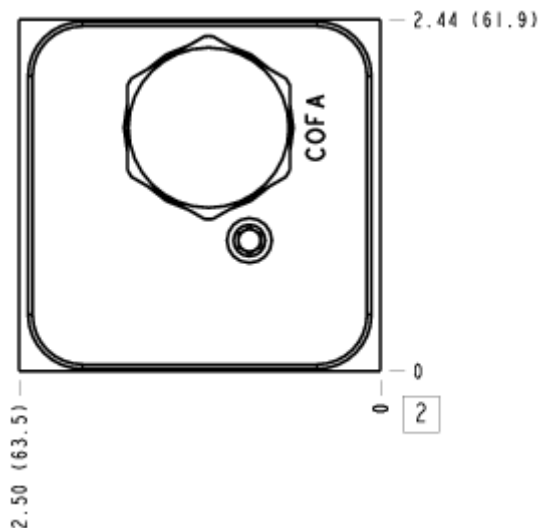
Part	Description	Quantity
340-001*	Pipe Plug	2
COFAXEN	Cartridge	1
CXEEXCN	Cartridge - Primary	1

**MANIFOLD FACES**

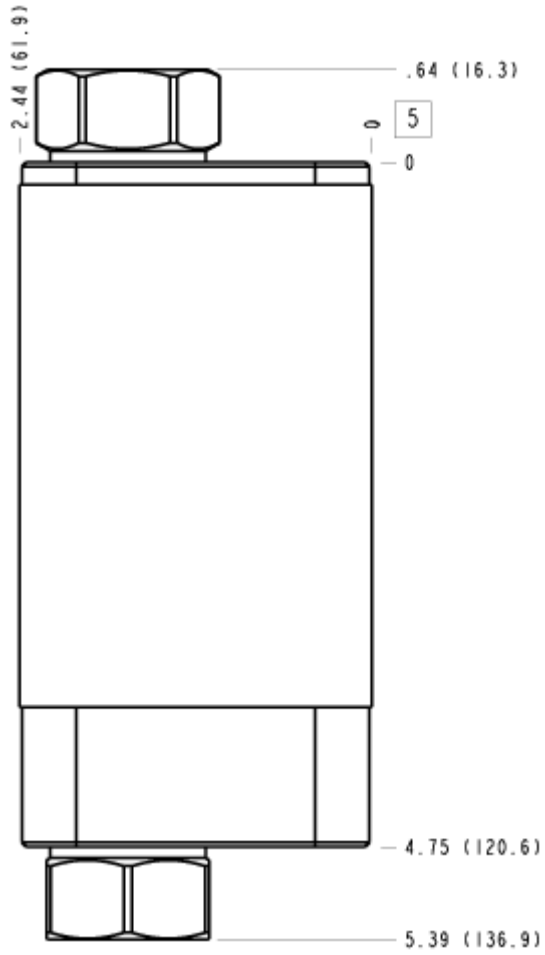
**FACE GRID**

1	2	3	4
5	6	7	8
9	10	11	12

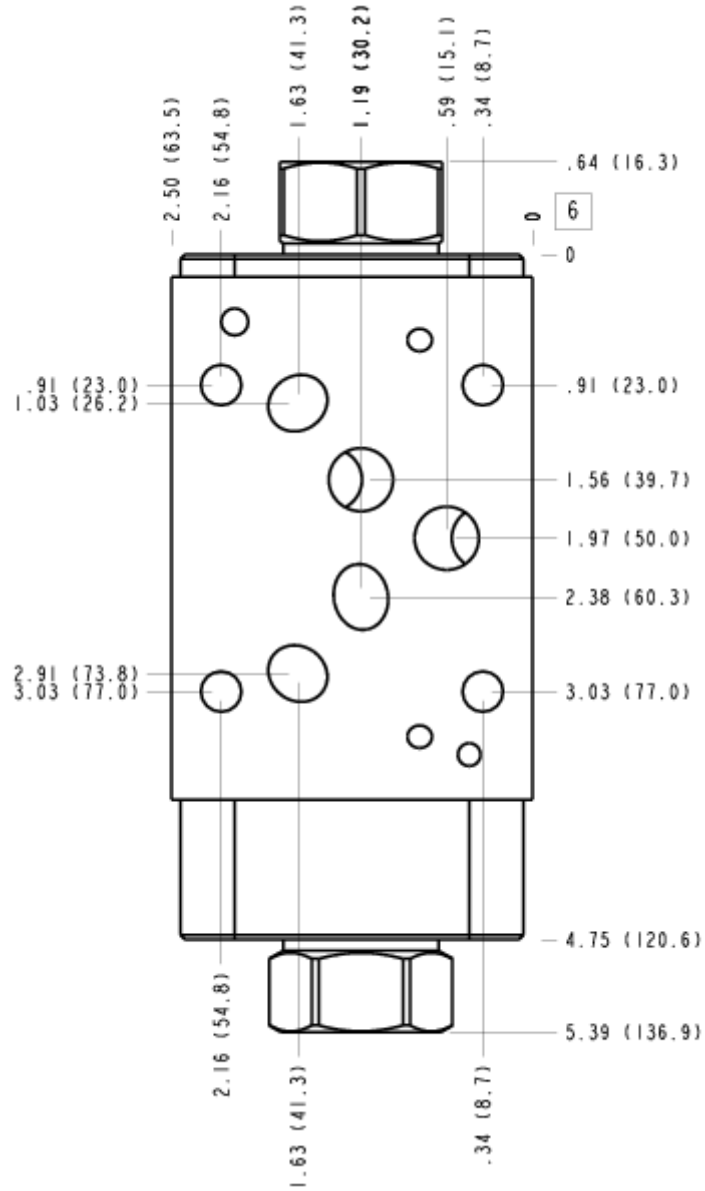
**FACE 2**



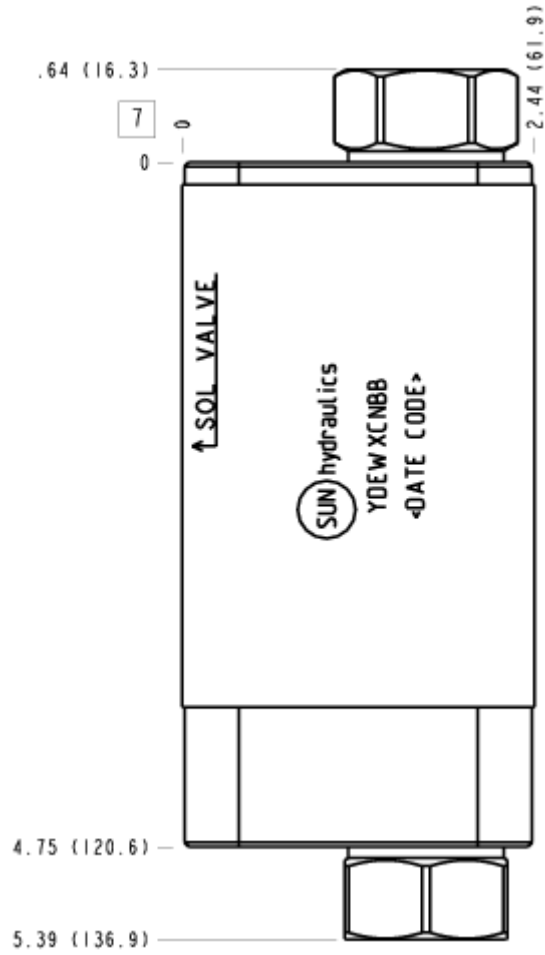
FACE 5



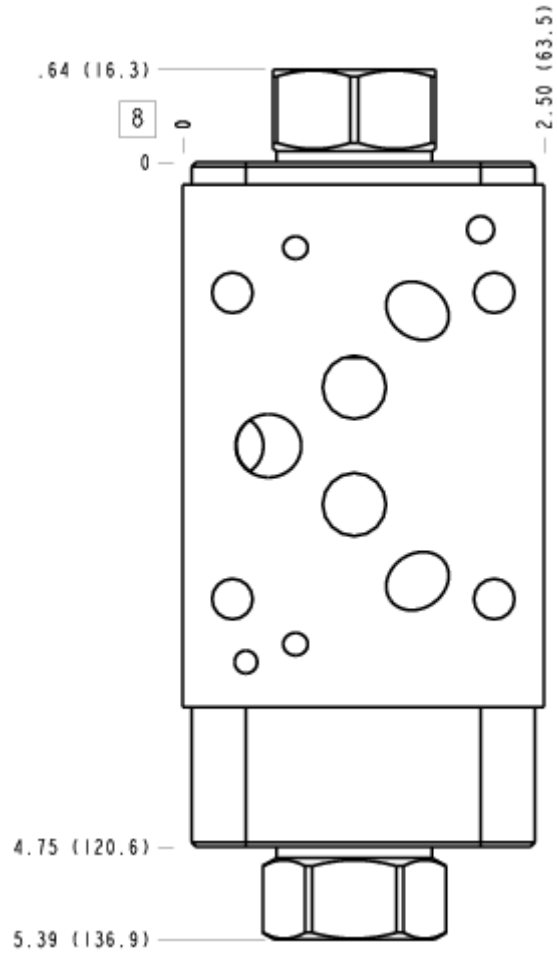
# FACE 6



FACE 7



### FACE 8



### FACE 10

