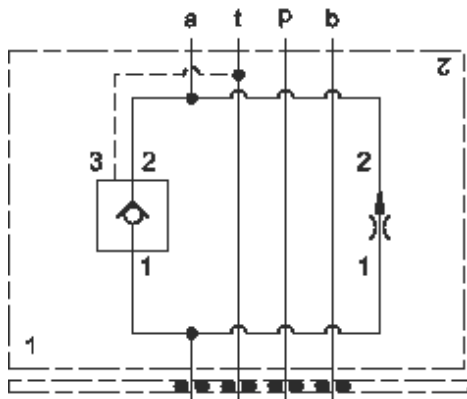


Meter in B



Meter out A

TECHNICAL DATA NOTE: DATA MAY VARY BY CONFIGURATION. SEE CONFIGURATION SECTION.

	ISO 03
Stack Height	44,5 mm
()	
	0 - 6 gpm
	Meter in on B or meter out on A

CONFIGURATION OPTIONS

Model Code Example: YFCEXANA

(X)

(A)

(N)

X	A .1 - 6 gpm (0,4 - 23 L/min.)	N
L		V

PRIMARY CARTRIDGE

(A)

A A (with FXCA primary cartridge, ,)
