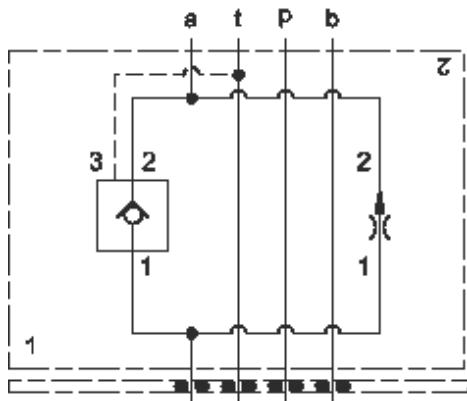


Meter in B



Meter out A

**TECHNICAL DATA** NOTE: DATA MAY VARY BY CONFIGURATION. SEE CONFIGURATION SECTION.

|              |                                 |
|--------------|---------------------------------|
|              |                                 |
|              | ISO 03                          |
|              | 60 L/min.                       |
| Stack Height | 44,5 mm                         |
| ( )          |                                 |
|              | 0 - 6 gpm                       |
|              | Meter in on B or meter out on A |

**OPTION SELECTION EXAMPLE: YFCEXANA**

(X)

(A)

(N)

X A .1 - 6 gpm (0,4 - 23 L/min.)

N

L V

PRIMARY CARTRIDGE

(A)

A A (with FXCA primary cartridge, )