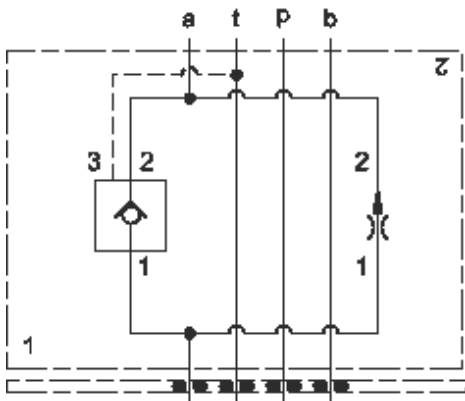


Meter in B



Meter out A

**CONFIGURATION OPTIONS**

Model Code Example: YFCEXANAA

| CONTROL   | (X) SETTING RANGE                                  | (A) SEAL MATERIAL | (N) |
|---|--|-------------------|-----|
| X Not Adjustable  | A Replaceable Orifice .1 - 6 gpm (0,4 - 23 L/min.) | N Buna-N          |     |
| C Tamper Resistant - Factory Set  |  | V Viton           |     |
| <b>PRIMARY CARTRIDGE</b>  |  |                   | (A) |
| A (with FXCA primary cartridge, Fixed-orifice, compensado por presión control de caudal válvula ) |  |                   |     |

**INCLUDED COMPONENTS**

| Part         | Description         | Quantity |
|--------------|---------------------|----------|
| 500-001-012* | O-Ring              | 4        |
| 700-002*     | Seal Plate          | 1        |
| 811-001-006* | Pin                 | 1        |
| 850-004-250* | Plug                | 2        |
| CKCBXCN      | Cartridge           | 1        |
| FXCAXAN      | Cartridge - Primary | 1        |