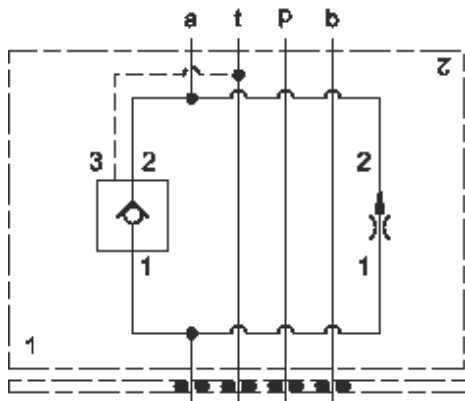


Meter in B



Meter out A

### TECHNICAL DATA

Body Type	Sandwich
Interface	ISO 03
Capacity	60 L/min.
Body Features	Meter in on B or meter out on A
Control Flow Range	0 - 6 gpm
Seal Plate Included (see notes)	Yes
Stack Height	44,5 mm

**OPTION SELECTION EXAMPLE: YFCEXANAA**

CONTROL	(X) SETTING RANGE	(A) SEAL MATERIAL	(N)
<b>X</b> Not Adjustable	<b>A</b> Replaceable Orifice .1 - 6 gpm (0,4 - 23 L/min.)	<b>N</b> Buna-N	
<b>C</b> Tamper Resistant - Factory Set		<b>V</b> Viton	
<b>PRIMARY CARTRIDGE</b>			<b>(A)</b>
<b>A</b> A (with FXCA primary cartridge, Fixed-orifice, compensado por presión control de caudal válvula )			

**INCLUDED COMPONENTS**

Part	Description	Quantity
500-001-012*	O-Ring	4
700-002*	Seal Plate	1
811-001-006*	Pin	1
850-004-250*	Plug	2
CKCBXCN	Cartridge	1
FXCAXAN	Cartridge - Primary	1