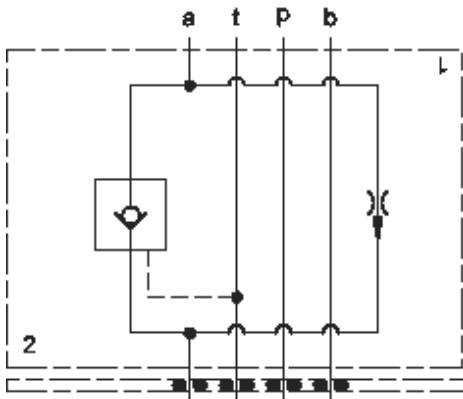


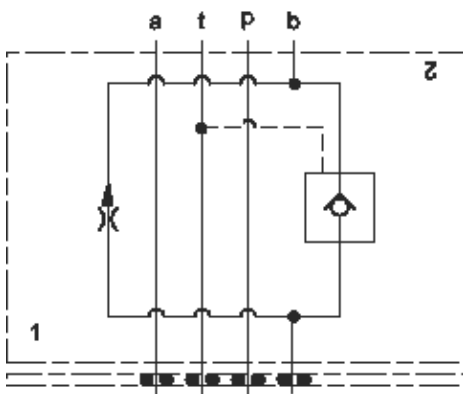


**TECHNICAL DATA**

	ISO 03
Stack Height	44,5 mm
( )	
	0 - 6 gpm
	Meter in on A or meter out on B



Meter in A



Meter out B

**CONFIGURATION**

L	
A	.1 - 6 gpm (0,4 - 23 L/min.)
N	
A Primary Cartridge	A (with FXCA primary cartridge, )
A Port and Material Designation	A Aluminum

**CONFIGURATION OPTIONS**

Model Code Example: YFCFLANAA

(L)

(A)

(N)

<b>L</b>	<b>A</b>	.1 - 6 gpm (0,4 - 23 L/min.)	<b>N</b>
X			V

**PRIMARY CARTRIDGE**

(A)

<b>A</b>	A (with FXCA primary cartridge, )
----------	-----------------------------------

**INCLUDED COMPONENTS**

Part	Description	Quantity
500-001-012*	O-Ring	4
700-002*	Seal Plate	1
811-001-006*	Pin	1
850-004-250*	Plug	2
CKCBXCN	Cartridge	1
FXCALAN	Cartridge - Primary	1