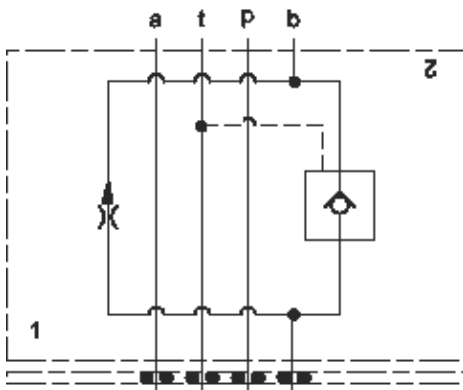


Meter in A



Meter out B

TECHNICAL DATA

		NOTE:
		DATA
	ISO 03	MAY
	60 L/min.	VARY
		BY
Stack Height	44,5 mm	
()		
	0 - 6 gpm	
	Meter in on A or meter out on B	

CONFIGURATION

L	
A	.1 - 6 gpm (0,4 - 23 L/min.)
N	
A Primary Cartridge	A (with FXCA primary cartridge,)
A Port and Material Designation	A Aluminum

CONFIGURATION. SEE CONFIGURATION SECTION.

OPTION SELECTION EXAMPLE: YFCFLANAA

(L)

(A)

(N)

L	A	.1 - 6 gpm (0.4 - 23 L/min.)	N
X			V

PRIMARY CARTRIDGE

(A)

A	A (with FXCA primary cartridge,)
----------	-----------------------------------

INCLUDED COMPONENTS

Part	Description	Quantity
500-001-012*	O-Ring	4
700-002*	Seal Plate	1
811-001-006*	Pin	1
850-004-250*	Plug	2
CKCBXCN	Cartridge	1
FXCALAN	Cartridge - Primary	1