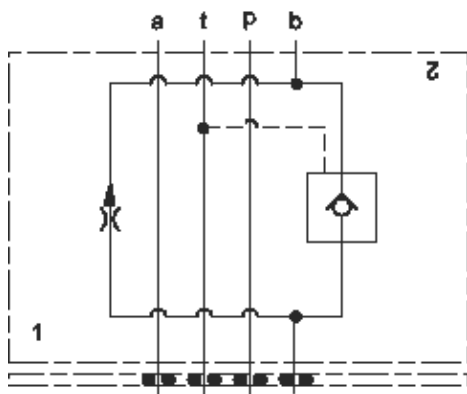


Meter in A



Meter out B

**TECHNICAL DATA** NOTE: DATA MAY VARY BY CONFIGURATION. SEE CONFIGURATION SECTION.

Body Type	aplilables
Interface	ISO 03
Body Features	Meter in on A or meter out on B
Control Flow Range	0 - 6 gpm
Seal Plate Included (see notes)	Yes
Stack Height	44,5 mm

**CONFIGURATION OPTIONS**

Model Code Example: YFCFXANAA

CONTROL	(X) SETTING RANGE	(A) SEAL MATERIAL	(N)
X Not Adjustable	A Replaceable Orifice .1 - 6 gpm (0,4 - 23 L/min.)	N Buna-N	
C Tamper Resistant - Factory Set		V Viton	
K manilla			
L Tuning Adjustment			

**PRIMARY CARTRIDGE**

(A)

A	A (with FXCA primary cartridge, Fixed-orifice, compensado por presión control de caudal válvula )
---	---

**INCLUDED COMPONENTS**

Part	Description	Quantity
500-001-012*	O-Ring	4
700-002*	Seal Plate	1
811-001-006*	Pin	1
850-004-250*	Plug	2
CKCBXCN	Cartridge	1
FXCAXAN	Cartridge - Primary	1