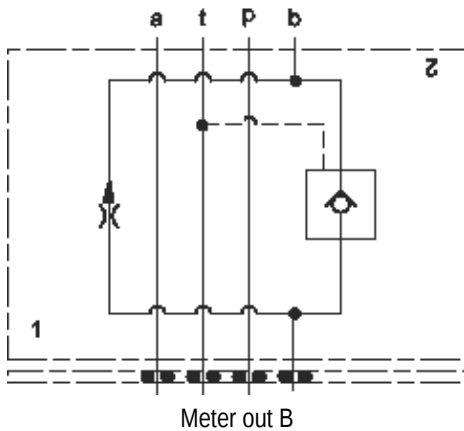
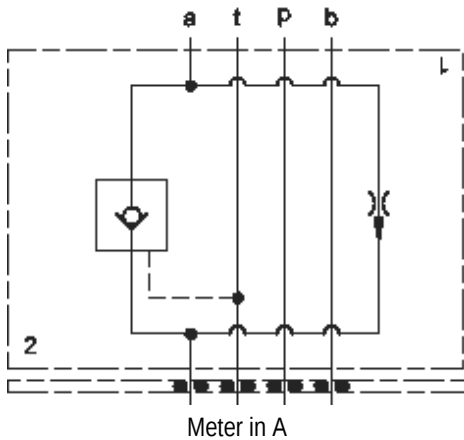




This assembly consists of a fixed-orifice, pressure-compensated flow control valve which provides precise flow regulation for meter-in or meter-out applications where there may be wide pressure fluctuations. The flow setting is specified by the user and is set at the factory.

TECHNICAL DATA NOTE: DATA MAY VARY BY CONFIGURATION. SEE CONFIGURATION SECTION.

Body Type	Sandwich
Interface	ISO 03
Capacity	15 gpm
Body Features	Meter in on A or meter out on B
Control Flow Range	0 - 6 gpm
Seal Plate Included (see notes)	Yes
Stack Height	1.75 in.



- NOTES:**
- **Important:** Carefully consider the maximum system pressure. The pressure rating of the manifold is dependent on the manifold material, with the port type/size a secondary consideration. Manifolds constructed of aluminum are not rated for pressures higher than 3000 psi (210 bar), regardless of the port type/size specified.
 - For detailed information regarding the cartridges contained in this assembly, click on the models codes shown in the Included Components tab.

OPTION SELECTION EXAMPLE: YFCFXANAA

CONTROL	(X) SETTING RANGE	(A) SEAL MATERIAL	(N)
X Not Adjustable	A Replaceable Orifice .1 - 6 gpm (0.4 - 23 L/min.)	N Buna-N	
C Tamper Resistant - Factory Set		V Viton	
PRIMARY CARTRIDGE			(A)
A A (with FXCA primary cartridge, Fixed-orifice, pressure compensated flow control valve)			

INCLUDED COMPONENTS

Part	Description	Quantity
500-001-012*	O-Ring	4
700-002*	Seal Plate	1
811-001-006*	Pin	1
850-004-250*	Plug	2
CKCBXCN	Cartridge	1
FXCAXAN	Cartridge - Primary	1

TECHNICAL FEATURES

- The sharp-edged orifice design minimizes flow variations due to viscosity changes.
- The tuneable control option provides +/- 25% variation from the nominal factory pre-set flow. Turn the adjustment clockwise to increase.
- Customer must specify a flow rating. Factory set flow ratings are within +/- 10% of the requested setting.