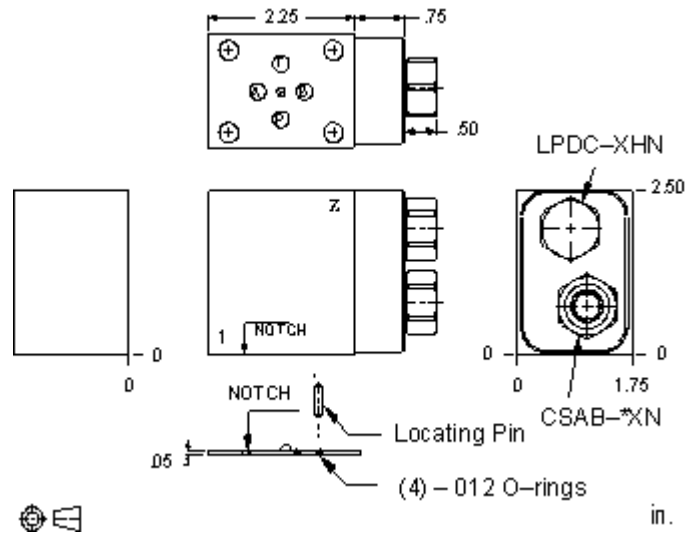


Restrictiva pressure compensator



**TECHNICAL DATA** NOTE: DATA MAY VARY BY CONFIGURATION. SEE CONFIGURATION SECTION.

Body Type	apilables
Interface	ISO 03
Capacity	40 L/min.
Body Features	alimentación regulada en P
Operating Characteristic	restrictiva
Seal Plate Included (see notes)	Yes
Stack Height	2.55 in.
Mounting Hole Diameter	5,2 mm
Mounting Hole Depth	Through
Mounting Hole Quantity	4

**OPTION SELECTION EXAMPLE: YFCGXDNA**

CONTROL	(X) DIFFERENTIAL PRESSURE	(D) SEAL MATERIAL	(N)
<b>X</b> Not Adjustable	<b>D</b> 50 psi (3,5 bar)	<b>N</b> Buna-N	
	<b>F</b> 100 psi (7 bar)	<b>V</b> Viton	
	<b>H</b> 200 psi (14 bar)		

**PRIMARY CARTRIDGE (A)**

<b>A</b>	A (with LPDC primary cartridge, Normalmente abierto, elementos de modulación )
<b>A</b>	A (with LPDCL primary cartridge, Ajustable, normalmente abierto, elementos de modulación )

**INCLUDED COMPONENTS**

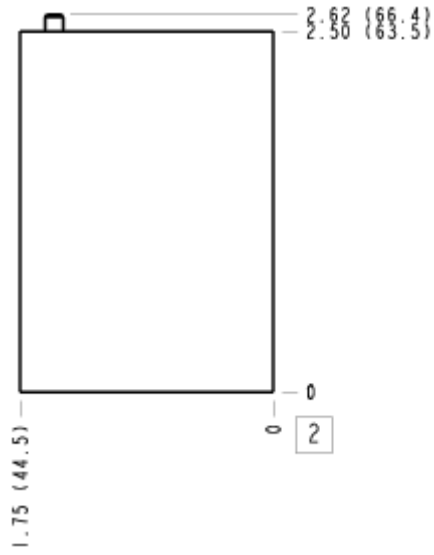
Part	Description	Quantity
500-001-012*	O-Ring	4
700-002*	Seal Plate	1
811-001-006*	Pin	1
CSABXXN	Cartridge	1
LPDCXDN	Cartridge - Primary	1

**MANIFOLD FACES**

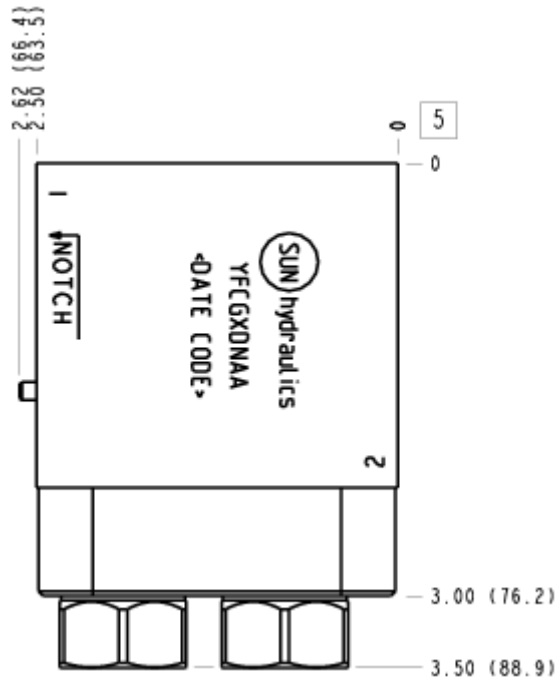
**FACE GRID**

1	2	3	4
5	6	7	8
9	10	11	12

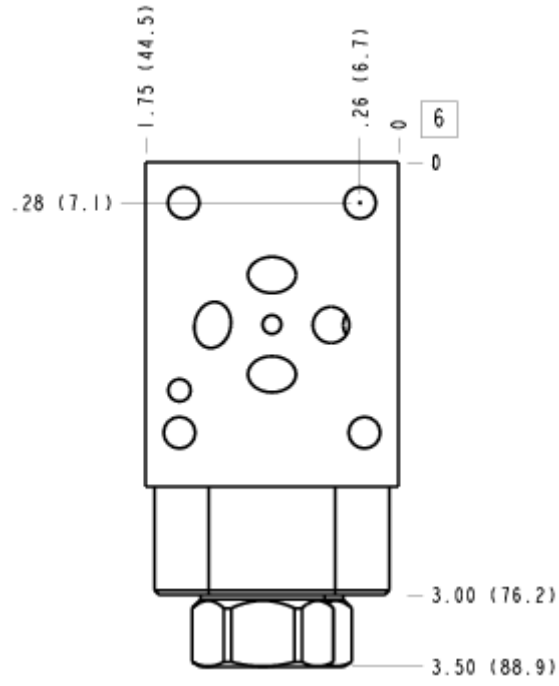
### FACE 2



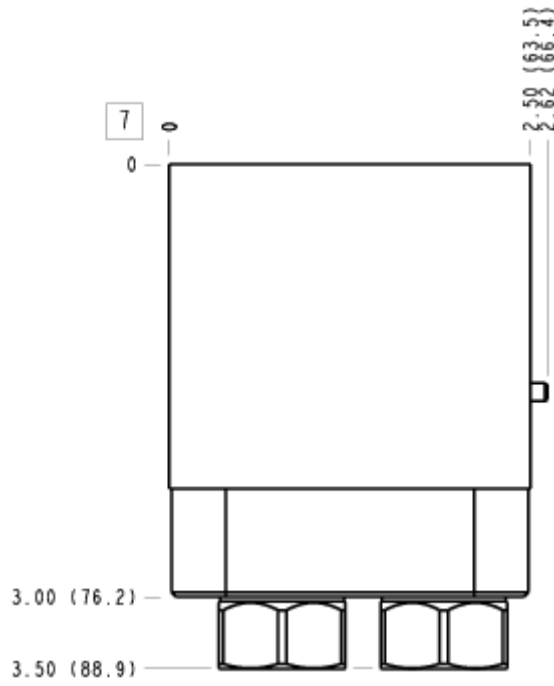
### FACE 5



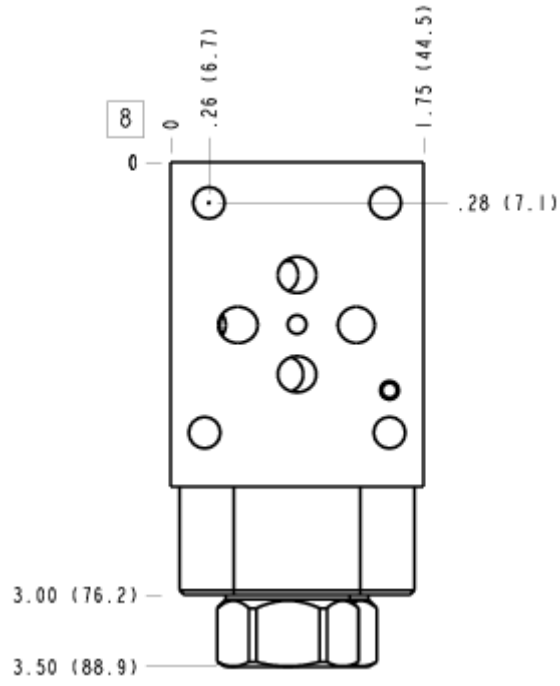
### FACE 6



### FACE 7



### FACE 8



### FACE 10

