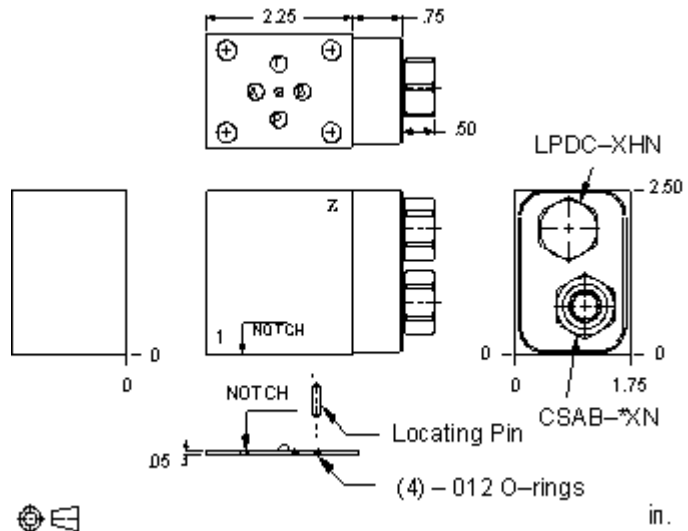


Restrictive pressure compensator



TECHNICAL DATA

Body Type	Sandwich
Interface	ISO 03
Capacity	40 L/min.
Body Features	Meter in P
Operating Characteristic	Restrictive
Seal Plate Included (see notes)	Yes
Stack Height	2.55 in.
Mounting Hole Diameter	5,2 mm
Mounting Hole Depth	Through
Mounting Hole Quantity	4

OPTION SELECTION EXAMPLE: YFCGXHNA

CONTROL	(X) DIFFERENTIAL PRESSURE	(H) SEAL MATERIAL	(N)
X Not Adjustable	H 200 psi (14 bar)	N Buna-N	
	D 50 psi (3,5 bar)	V Viton	
	F 100 psi (7 bar)		

PRIMARY CARTRIDGE (A)

A	A (with LPDC primary cartridge, Normalmente abierto, elementos de modulación)
A	A (with LPDCL primary cartridge, Ajustable, normalmente abierto, elementos de modulación)

INCLUDED COMPONENTS

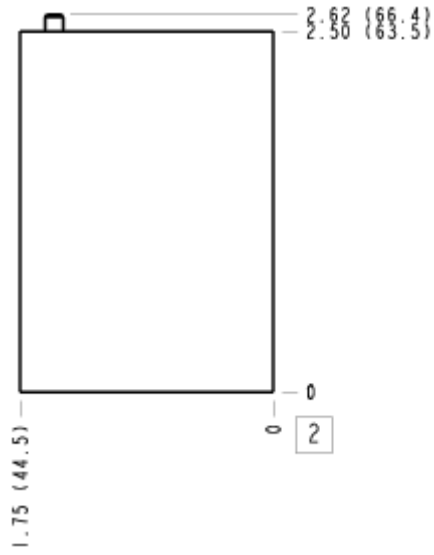
Part	Description	Quantity
500-001-012*	O-Ring	4
700-002*	Seal Plate	1
811-001-006*	Pin	1
CSABXXN	Cartridge	1
LPDCXHN	Cartridge - Primary	1

MANIFOLD FACES

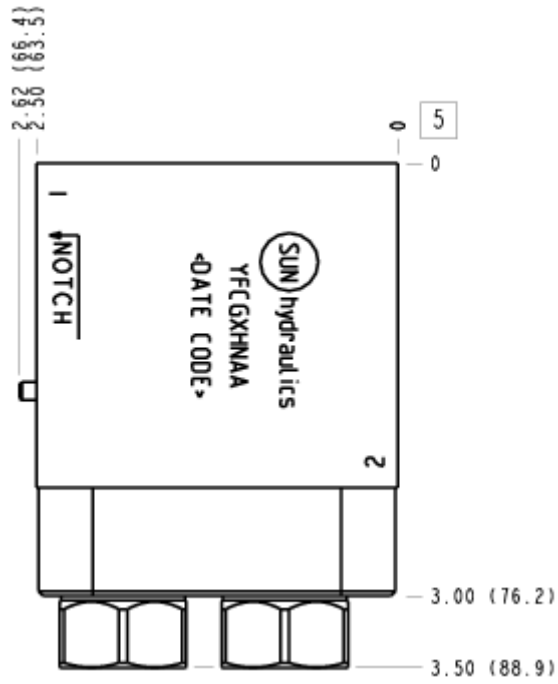
FACE GRID

1	2	3	4
5	6	7	8
9	10	11	12

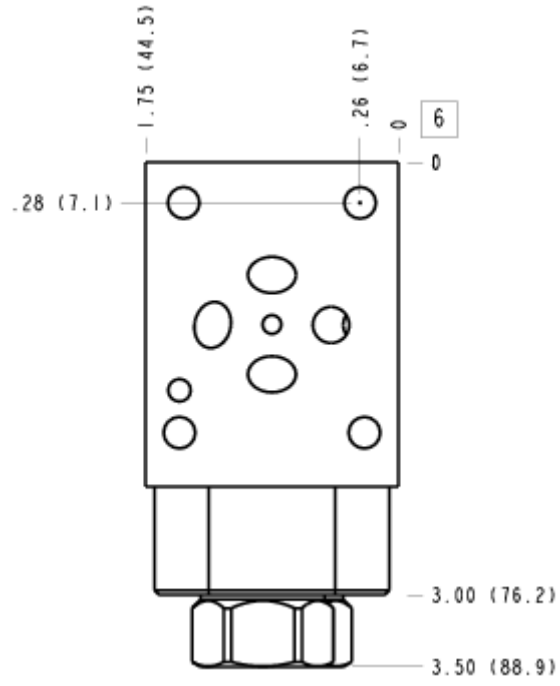
FACE 2



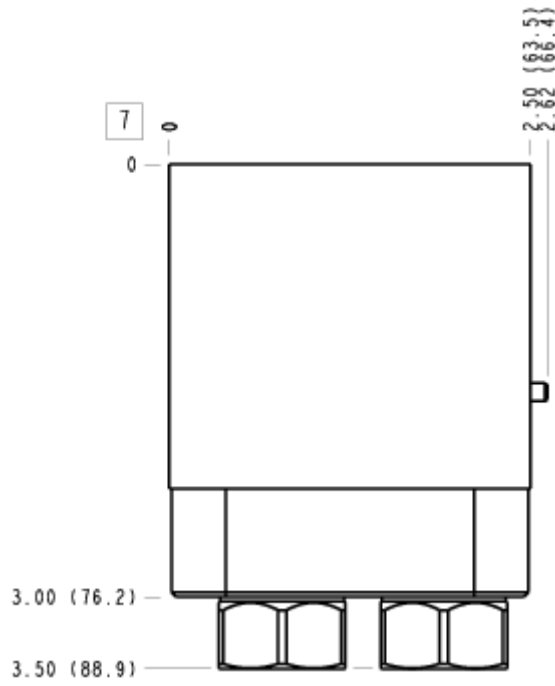
FACE 5



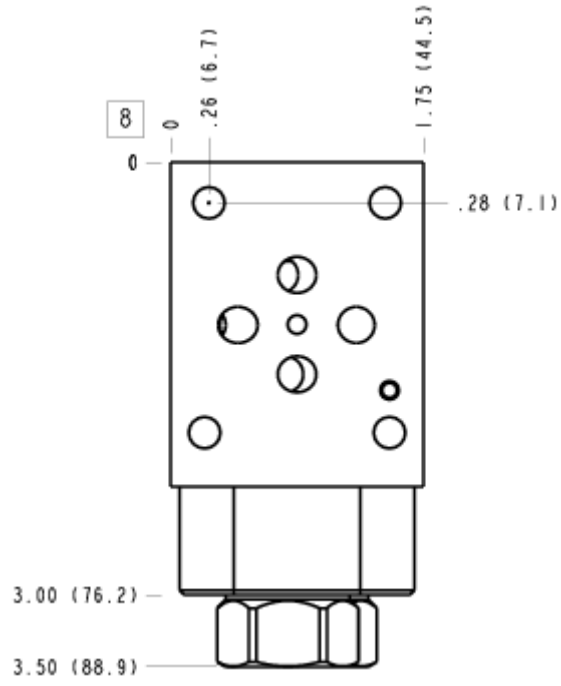
FACE 6



FACE 7



FACE 8



FACE 10

