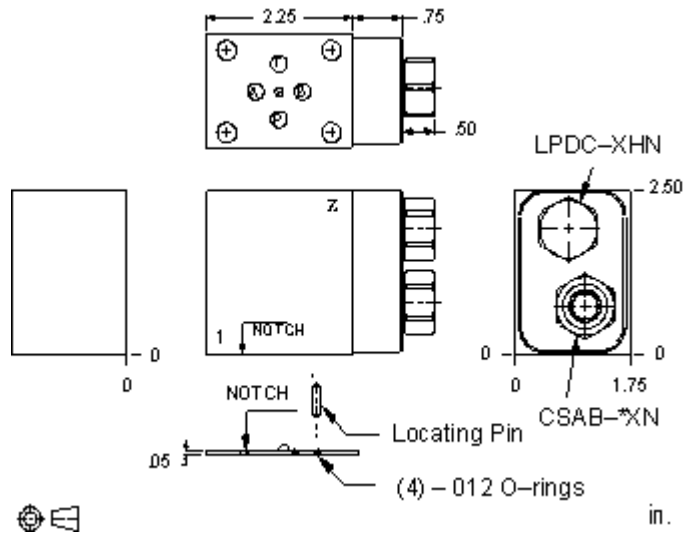


Restrictive pressure compensator



TECHNICAL DATA NOTE: DATA MAY VARY BY CONFIGURATION. SEE CONFIGURATION SECTION.

	ISO 03
	40 L/min.
()	
	P
	5,2 mm
	Through
	4
Stack Height	2.55 in.

OPTION SELECTION EXAMPLE: YFCGXHNAA

(X) (H) (N)

X	H 200 psi (14 bar)	N
	D 50 psi (3,5 bar)	V
	F 100 psi (7 bar)	

PRIMARY CARTRIDGE

(A)

A	A (with LPDC primary cartridge, ,)
A	A (with LPDCL primary cartridge, ,)

INCLUDED COMPONENTS

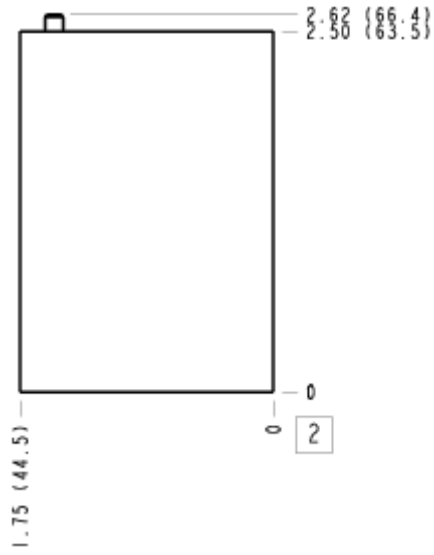
Part	Description	Quantity
500-001-012*	O-Ring	4
700-002*	Seal Plate	1
811-001-006*	Pin	1
CSABXXN	Cartridge	1
LPDCXHN	Cartridge - Primary	1

MANIFOLD FACES

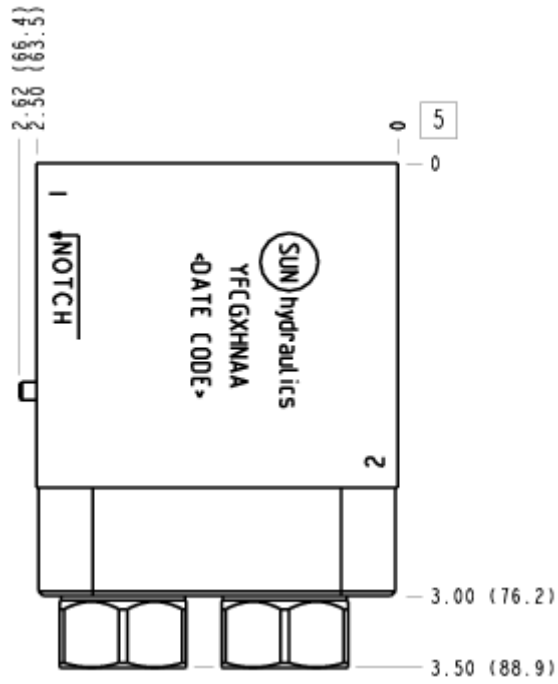
FACE GRID

1	2	3	4
5	6	7	8
9	10	11	12

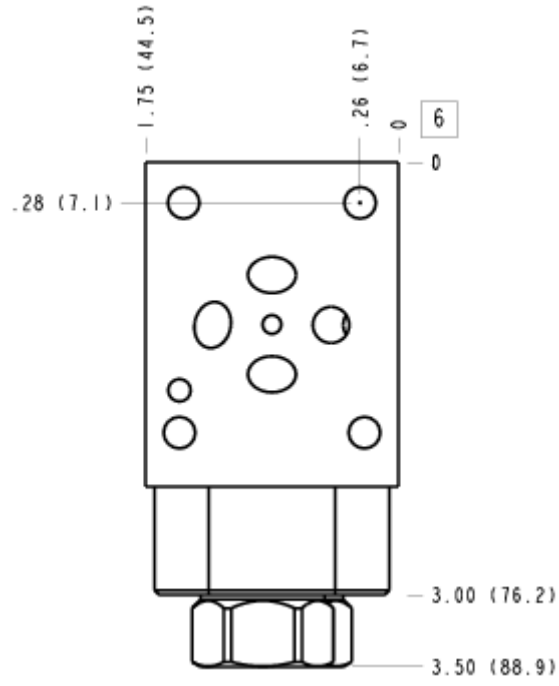
FACE 2



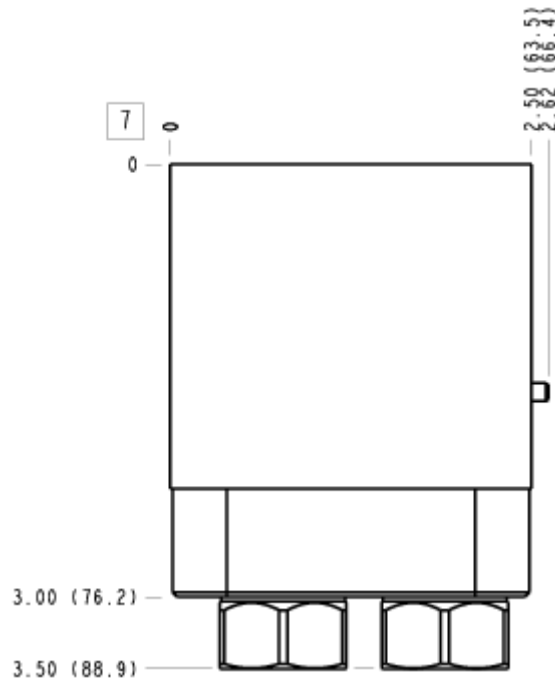
FACE 5



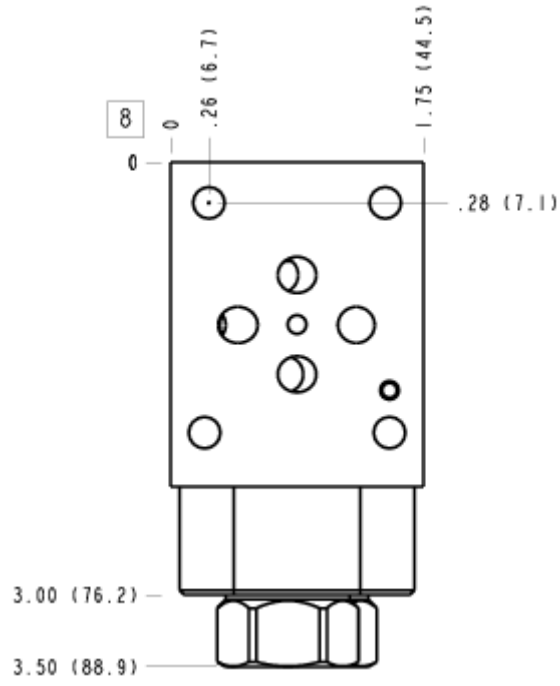
FACE 6



FACE 7



FACE 8



FACE 10

