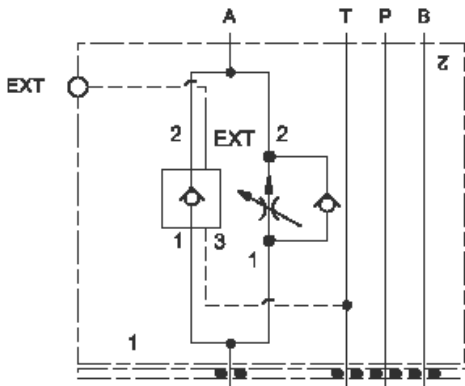
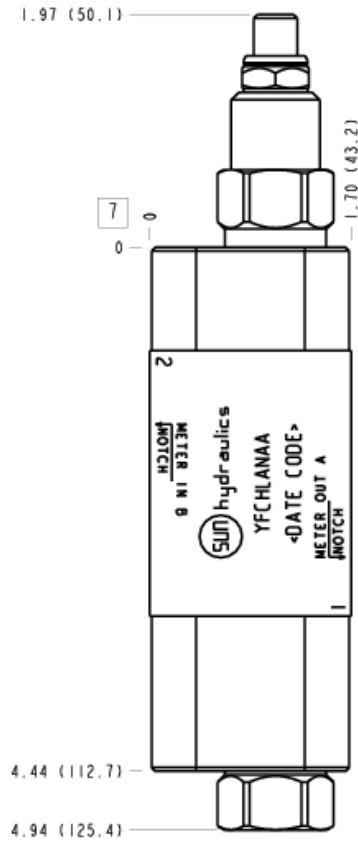


Meter in B



Meter out A



TECHNICAL DATA NOTE: DATA MAY VARY BY CONFIGURATION. SEE CONFIGURATION SECTION.

	ISO 03
	60 L/min.
Stack Height	44,5 mm
()	
	0 - 6 gpm
	Meter in on B or meter out on A

OPTION SELECTION EXAMPLE: YFCHLANAA

(L) (A) (N)

L	A .1 - 6 gpm (0,4 - 23 L/min.)	N
H	B .1 - 2 gpm (0,4 - 8 L/min.)	V

PRIMARY CARTRIDGE

(A)

A A (with FDBA primary cartridge,)
--

INCLUDED COMPONENTS

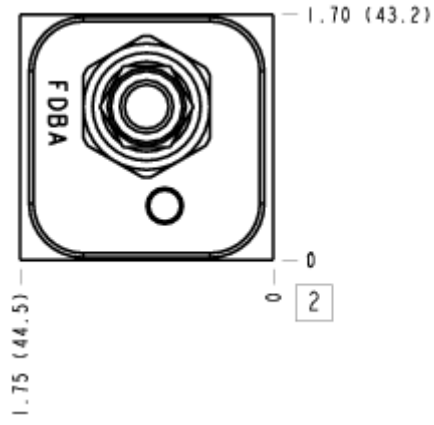
Part	Description	Quantity
500-001-012*	O-Ring	4
700-002*	Seal Plate	1
811-001-006*	Pin	1
850-004-250*	Plug	2
CKCHVCN	Cartridge	1
FDBALAN	Cartridge - Primary	1

MANIFOLD FACES

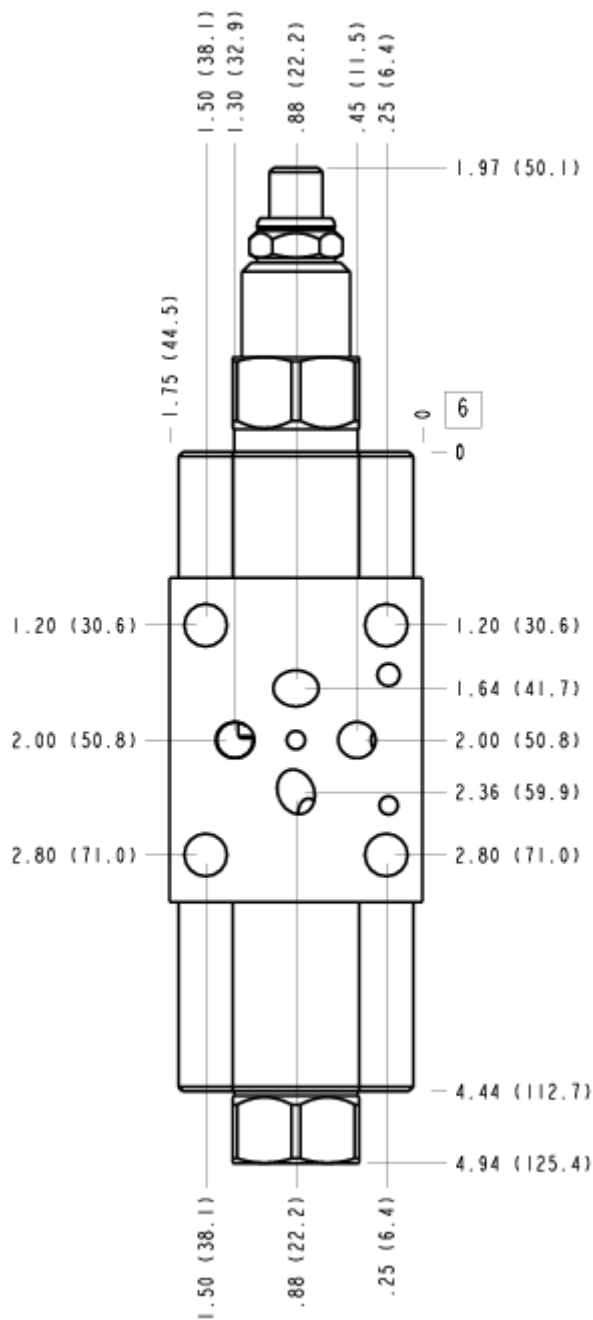
FACE GRID

1	2	3	4
5	6	7	8
9	10	11	12

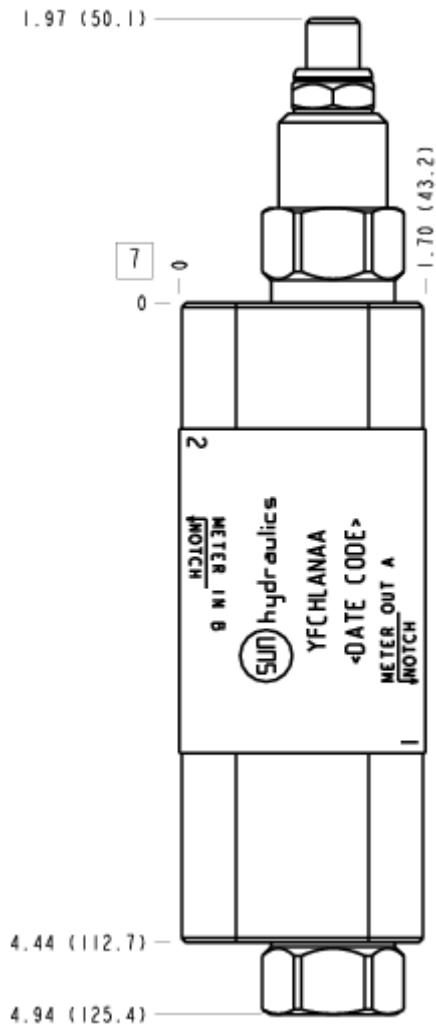
FACE 2



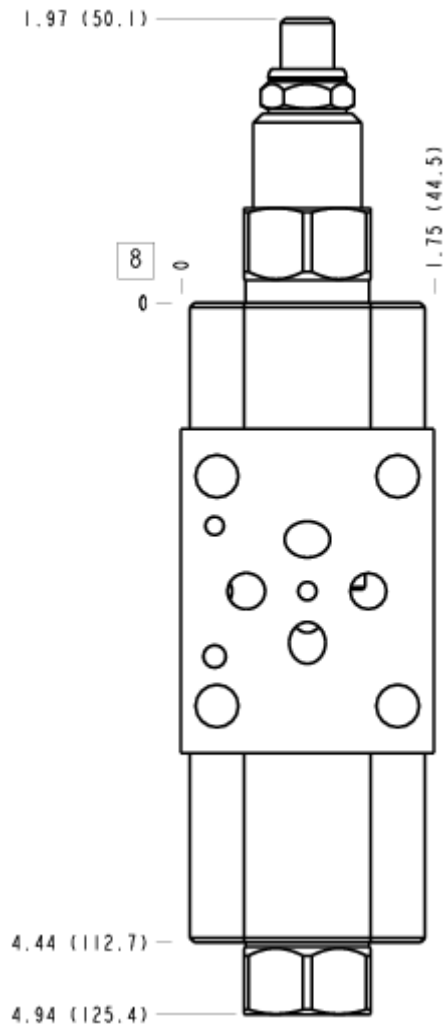
FACE 6



FACE 7



FACE 8



FACE 10

