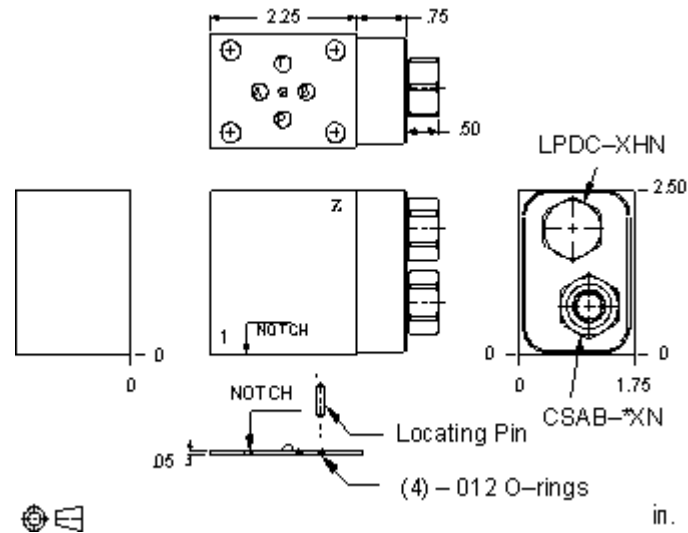


Restrictive pressure compensator with load sense port



This valve assembly consists of a normally-open restrictive style compensator on the P port and a shuttle that senses pressure from the higher of the 2 work ports. Its purpose is to provide a relatively constant pressure drop across the directional valve thus isolating the directional valve spool from high flow forces. This is accomplished by throttling the supply into the P port. The constant drop creates a pressure compensated flow control out of the directional valve. The shuttle valve has a auxiliary port in the hex body for connection into the load sense system.

**TECHNICAL DATA** NOTE: DATA MAY VARY BY CONFIGURATION. SEE CONFIGURATION SECTION.

Body Type	Sandwich
Interface	ISO 03
Capacity	10 gpm
Body Features	Meter in P
Operating Characteristic	Restrictive
Seal Plate Included (see notes)	Yes
Stack Height	2.55 in.

- NOTES:**
- Customer to install locating pin (included) for functional orientation desired.
  - Stack height value in technical data table includes seal retainer plate.
  - Port S is the external connection at the top of the shuttle cartridge.
  - For detailed information regarding the cartridges contained in this assembly, click on the models codes shown in the Included Components tab.
  - **Important:** Carefully consider the maximum system pressure. The pressure rating of the manifold is dependent on the manifold material, with the port type/size a secondary consideration. Manifolds constructed of aluminum are not rated for pressures higher than 3000 psi (210 bar), regardless of the port type/size specified.

**OPTION SELECTION EXAMPLE: YFCJXHNA**

CONTROL	(X) DIFFERENTIAL PRESSURE	(H) SEAL MATERIAL	(N)
<b>X</b> Not Adjustable	<b>H</b> 200 psi (14 bar)	<b>N</b> Buna-N	
	<b>D</b> 50 psi (3,5 bar)	<b>V</b> Viton	
	<b>F</b> 100 psi (7 bar)		
	<b>G</b> 150 psi (10,5 bar)		

**PRIMARY CARTRIDGE** (A)

<b>A</b>	A (with LPDC primary cartridge, Normally open, modulating element)
<b>A</b>	A (with LPDCL primary cartridge, Tuneable, normally open, modulating element)

**INCLUDED COMPONENTS**

Part	Description	Quantity
500-001-012*	O-Ring	4
700-002*	Seal Plate	1
811-001-006*	Pin	1
CSABAXN	Cartridge	1
LPDCXHN	Cartridge - Primary	1

**TECHNICAL FEATURES**

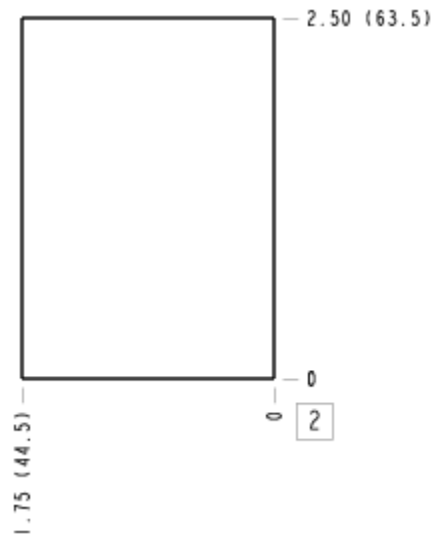
- This assembly is normally used in a multi-station load-sense system or with a pressure compensated pump.
- The pressure differential across the orifice (directional valve) varies with flow and system pressure. It is at its highest at zero flow and drops with increasing flow.
- Adding a /M to the end of the part number will change the auxiliary load-sense port from SAE-4 to ¼ BSPP.
- Another term for this assembly is a hydrostat.

# MANIFOLD FACES

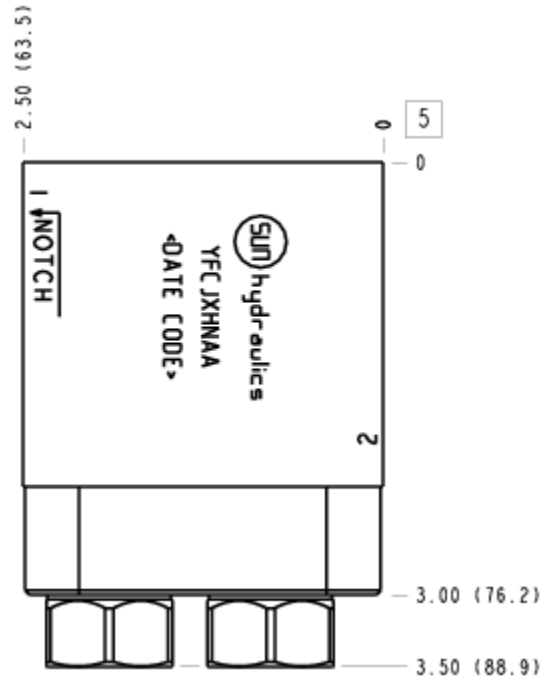
## FACE GRID

1	2	3	4
5	6	7	8
9	10	11	12

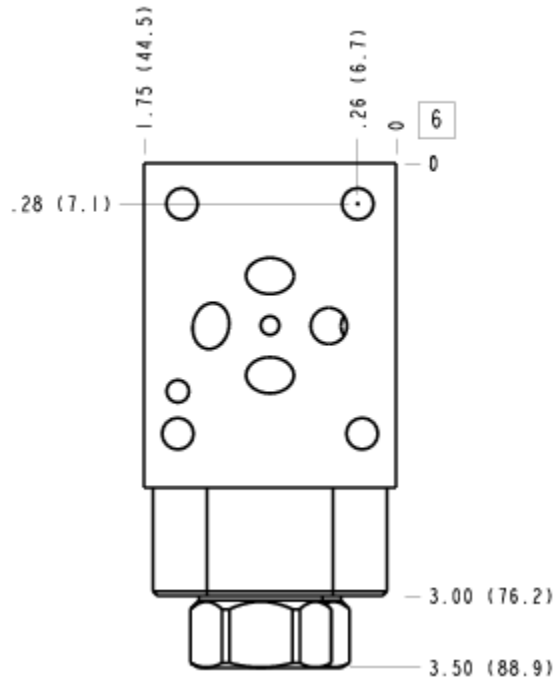
## FACE 2



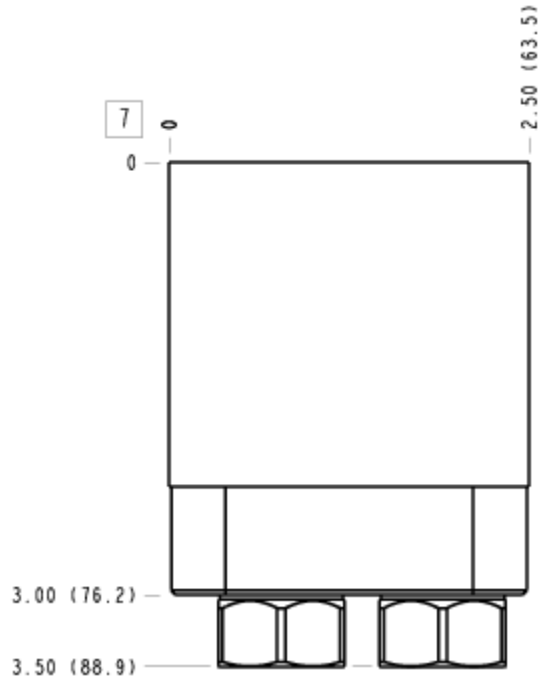
### FACE 5



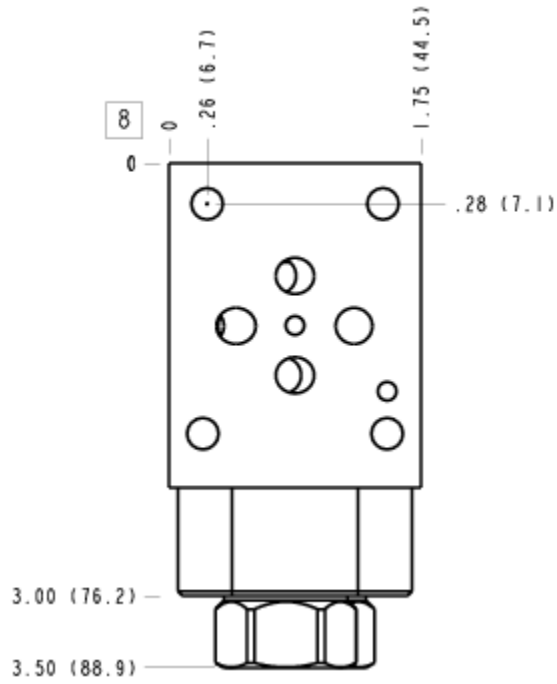
### FACE 6



### FACE 7



### FACE 8



FACE 10

