

TECHNICAL DATA

Body Type	Line mount
Capacity	60 L/min.
Mounting Hole Diameter	8.6 mm
Mounting Hole Depth	Through
Mounting Hole Quantity	2

OPTION SELECTION EXAMPLE: YFCPLCNAJ

CONTROL	(L) MAXIMUM ORIFICE DIAMETER	(C) SEAL MATERIAL	(N)
L Standard Screw Adjustment	C .19 in. (4,8 mm)	N Buna-N	
	D .09 in. (2,3 mm)	V Viton	

PRIMARY CARTRIDGE (A)

A A (with NFCC primary cartridge, Totalmente ajustable aguja válvula)

INCLUDED COMPONENTS

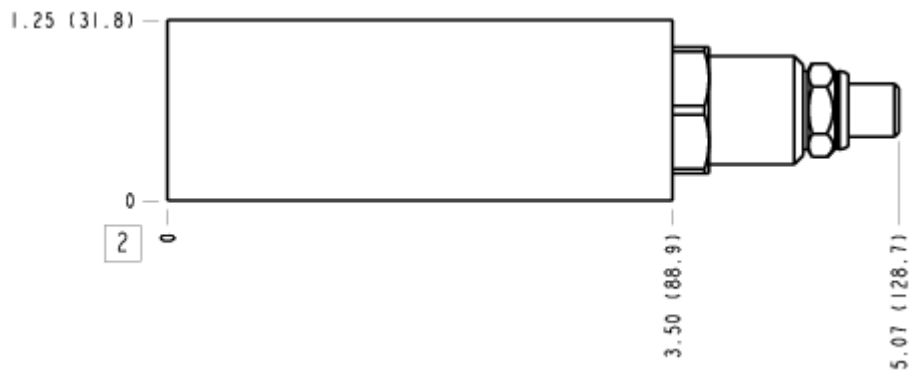
Part	Description	Quantity
NFCCLCN	Cartridge - Primary	1
RVCBLAN	Cartridge	1

MANIFOLD FACES

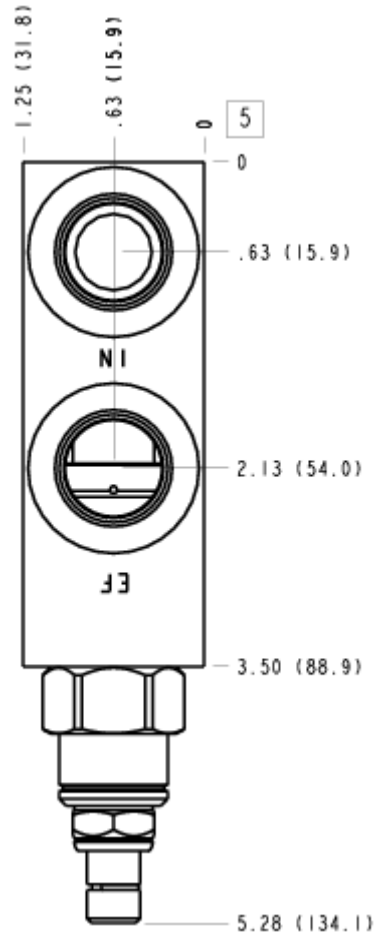
FACE GRID

1	2	3	4
5	6	7	8
9	10	11	12

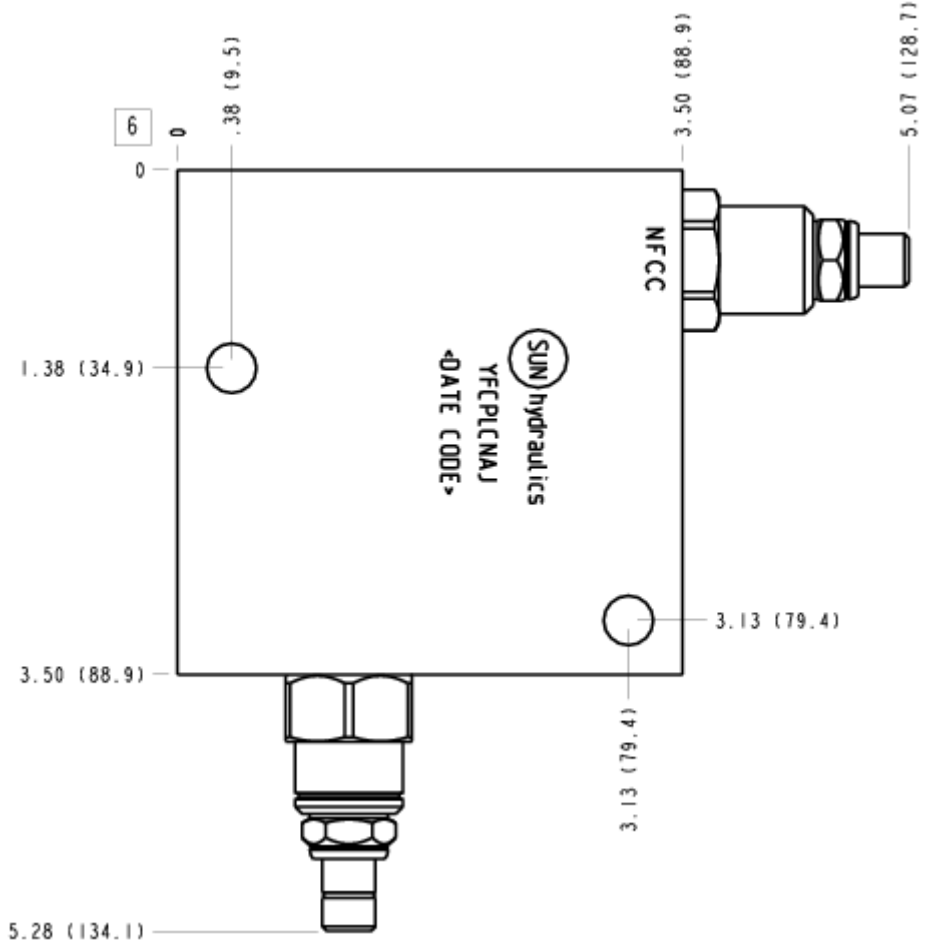
FACE 2



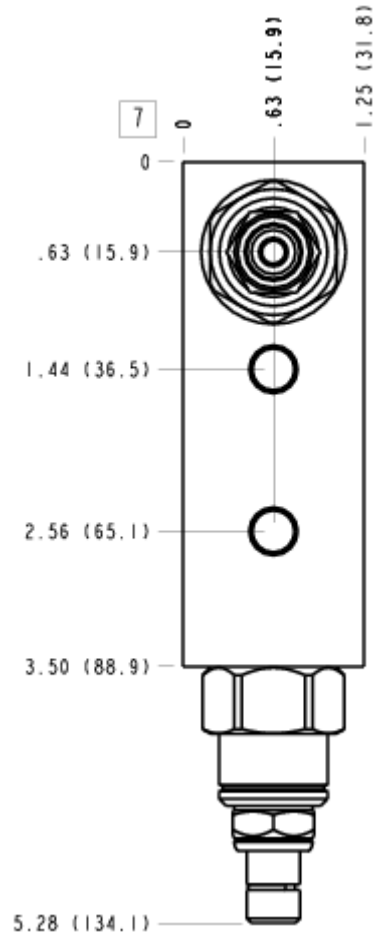
FACE 5



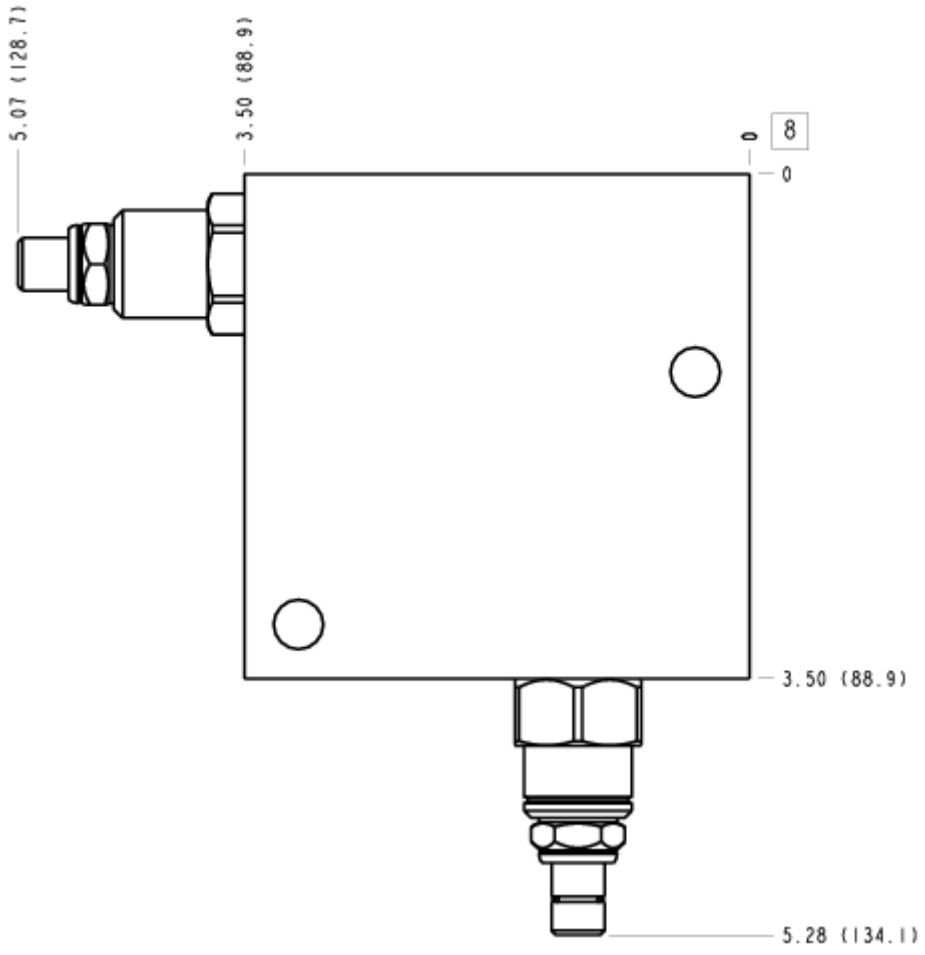
FACE 6



FACE 7



FACE 8



FACE 10

