

**TECHNICAL DATA** NOTE: DATA MAY VARY BY CONFIGURATION. SEE CONFIGURATION SECTION.

	60 L/min.
	8.6 mm
	Through
	2

**OPTION SELECTION EXAMPLE: YFCPLCNAJ**

(L)

(C)

(N)

<b>L</b>	<b>C</b>	<b>N</b>
H	D	V
O		

PRIMARY CARTRIDGE

(A)

<b>A</b>	A (with NFCC primary cartridge, )
----------	-----------------------------------

**INCLUDED COMPONENTS**

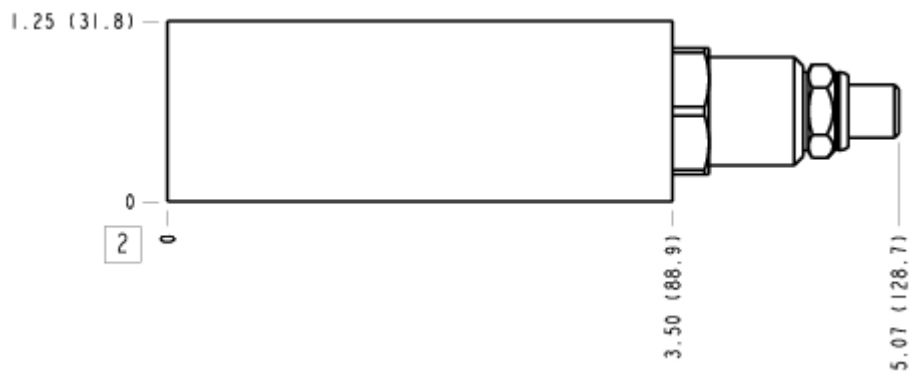
Part	Description	Quantity
NFCCLCN	Cartridge - Primary	1
RVCBLAN	Cartridge	1

**MANIFOLD FACES**

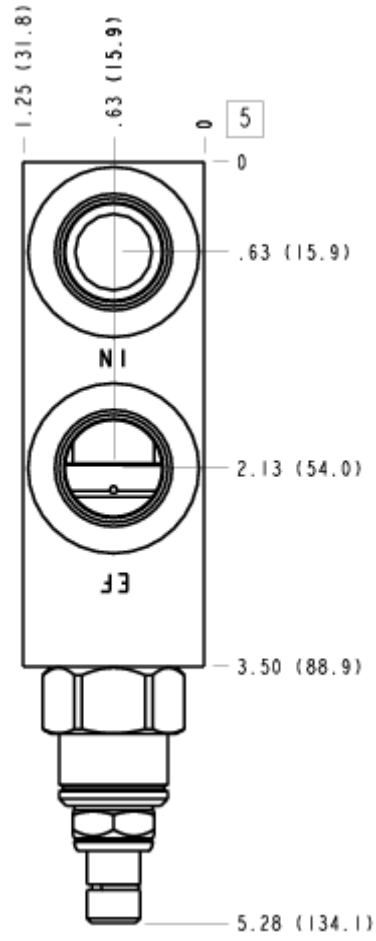
**FACE GRID**

1	2	3	4
5	6	7	8
9	10	11	12

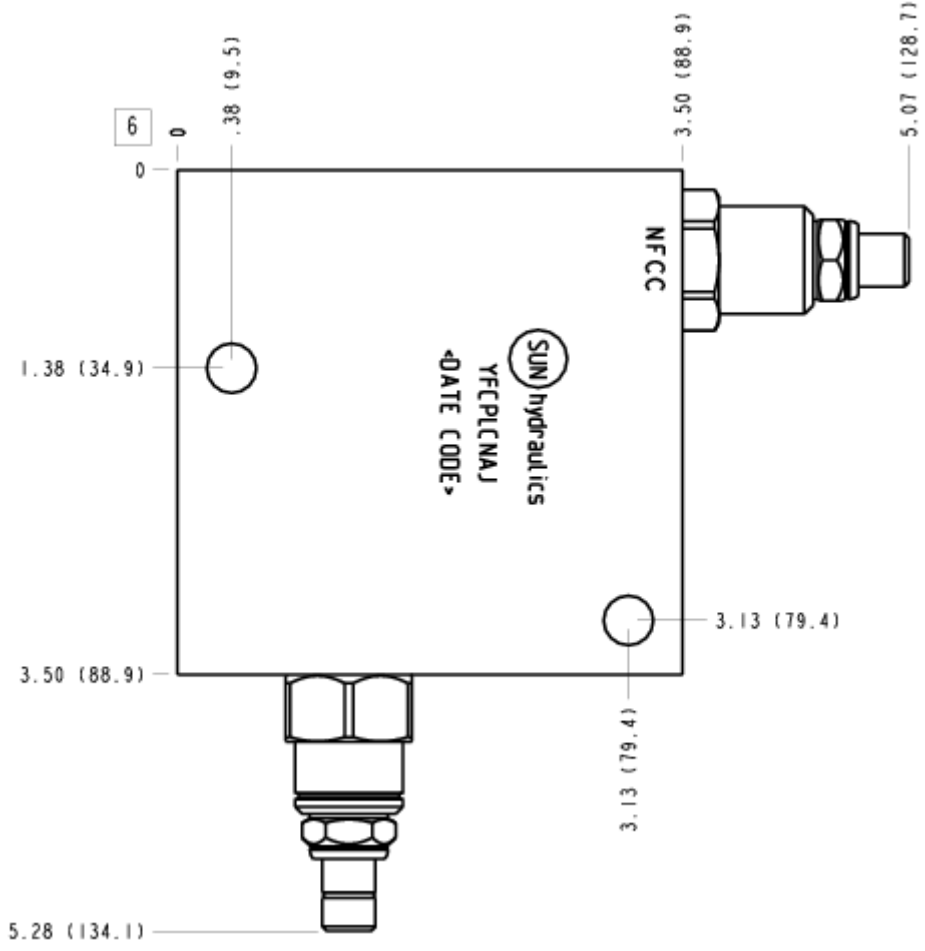
**FACE 2**



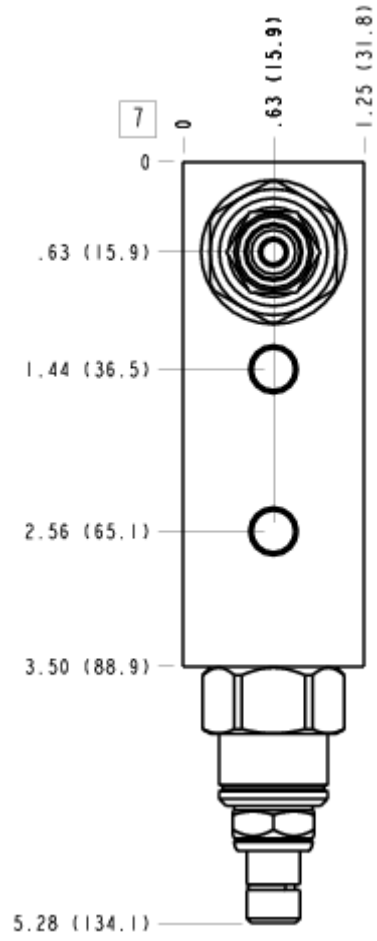
# FACE 5



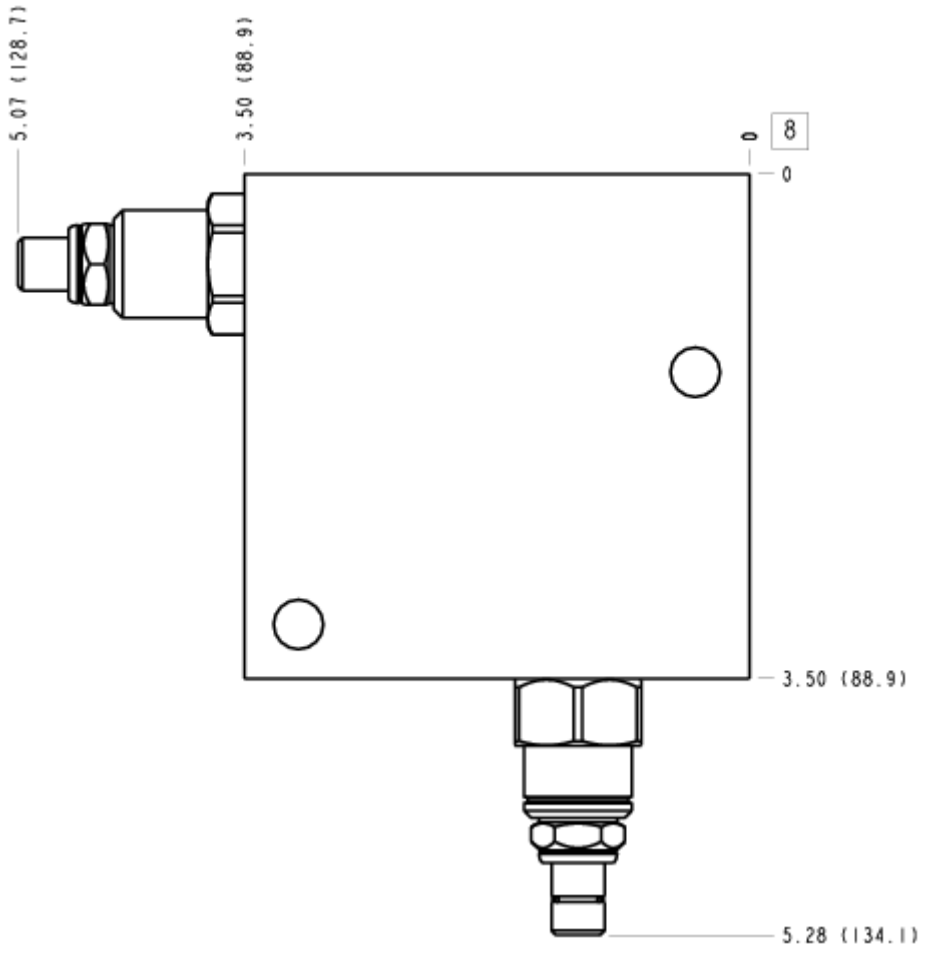
# FACE 6



# FACE 7



### FACE 8



### FACE 10

