

TECHNICAL DATA NOTE: DATA MAY VARY BY CONFIGURATION. SEE CONFIGURATION SECTION.

Body Type	montaje en línea
Capacity	60 L/min.
Mounting Hole Diameter	8.6 mm
Mounting Hole Depth	Through
Mounting Hole Quantity	2

OPTION SELECTION EXAMPLE: YFCQLANAJ

CONTROL	(L) ADJUSTMENT RANGE	(A) SEAL MATERIAL	(N)
L Standard Screw Adjustment	A .1 - 6 gpm (0,4 - 23 L/min.)	N Buna-N	
C Tamper Resistant - Factory Set	B .1 - 2 gpm (0,4 - 8 L/min.)	V Viton	
H Calibrated Handknob with Detent Lock			
K manilla			

PRIMARY CARTRIDGE (A)

A A (with FDBA primary cartridge, Totalmente ajustable compensado por presión control de caudal válvula con anti-retorno de caudal inverso)

INCLUDED COMPONENTS

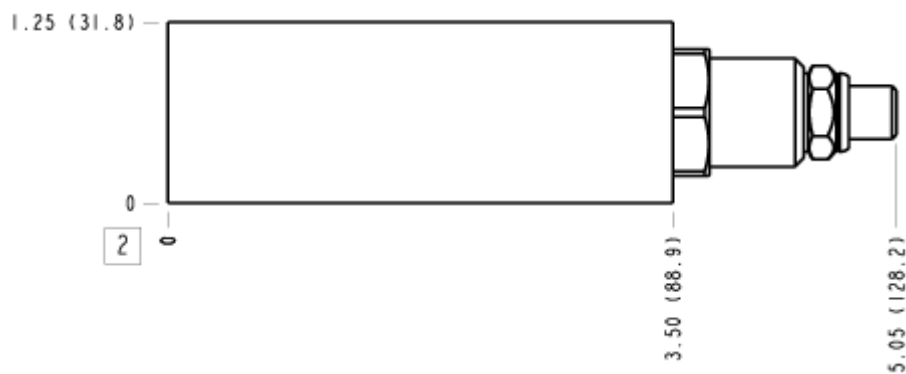
Part	Description	Quantity
FDBALAN	Cartridge - Primary	1
LRDCXHN	Cartridge	1

MANIFOLD FACES

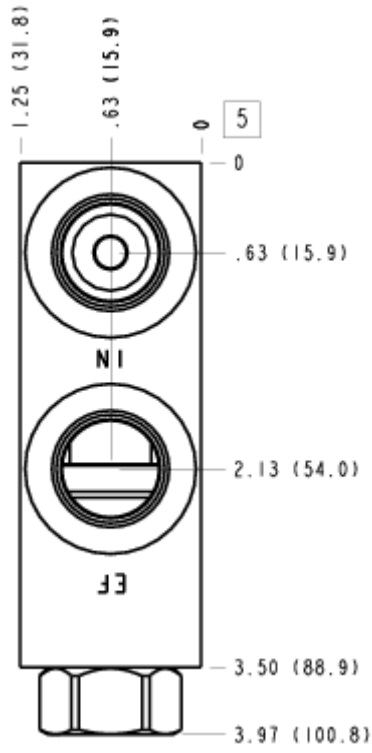
FACE GRID

1	2	3	4
5	6	7	8
9	10	11	12

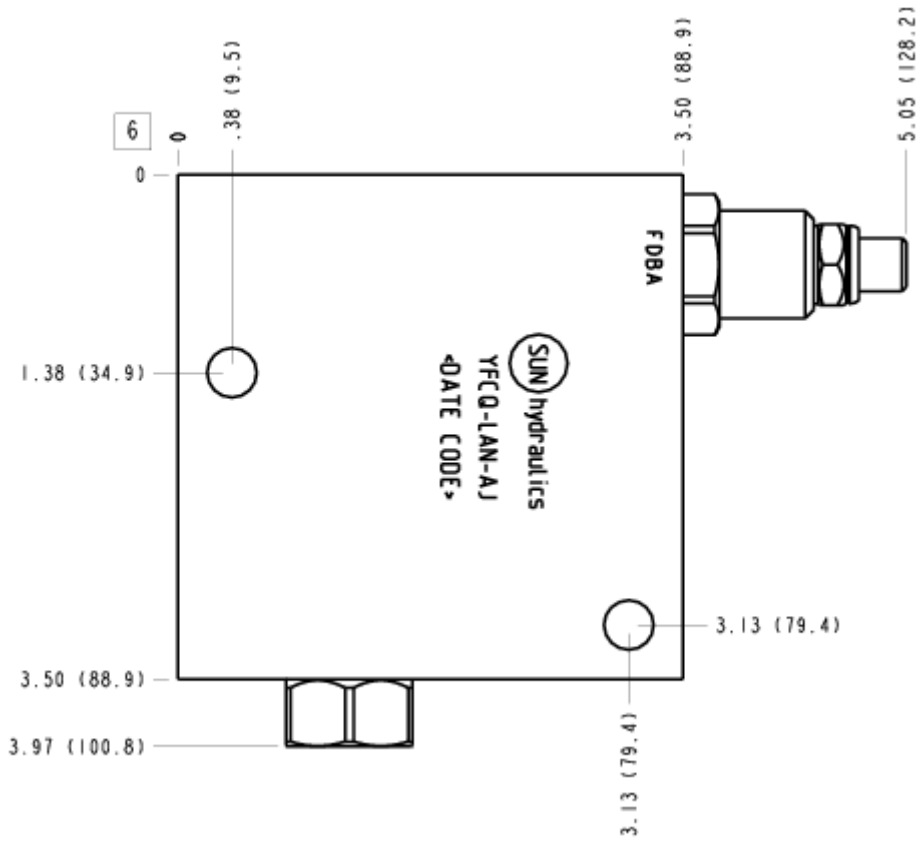
FACE 2



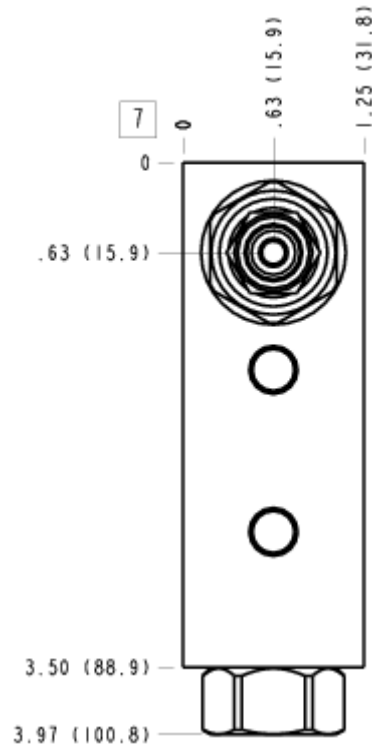
FACE 5



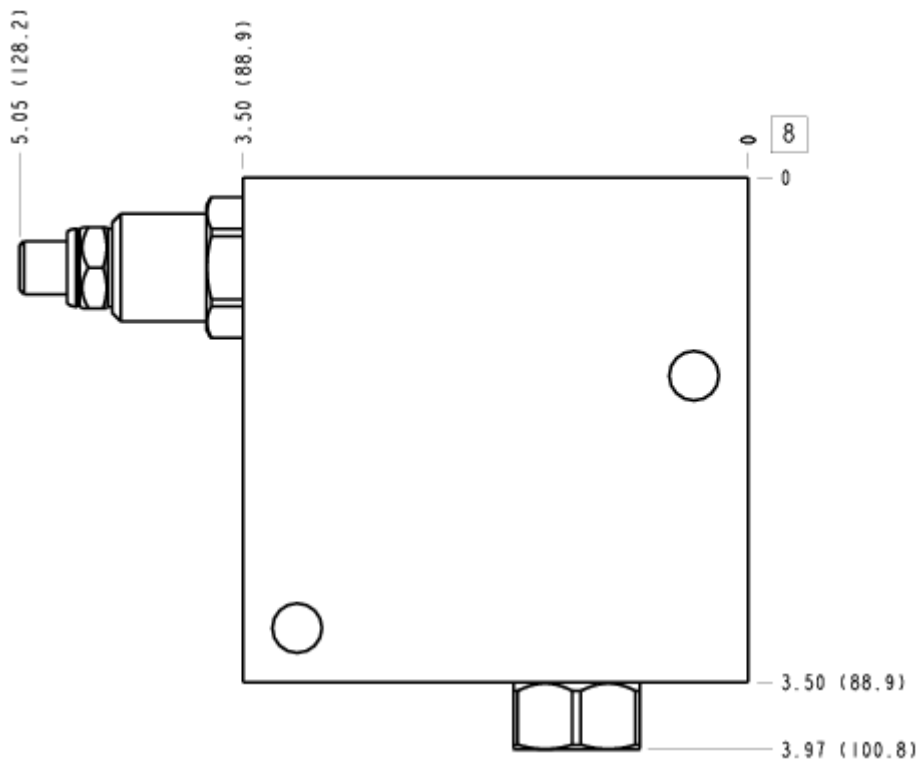
FACE 6



FACE 7



FACE 8



FACE 10

