

TECHNICAL DATA NOTE: DATA MAY VARY BY CONFIGURATION. SEE CONFIGURATION SECTION.

Body Type	montaje en línea
Capacity	60 L/min.
Mounting Hole Diameter	8.6 mm
Mounting Hole Depth	Through
Mounting Hole Quantity	2

OPTION SELECTION EXAMPLE: YFCRLCNAJ

CONTROL		(L) MAXIMUM ORIFICE DIAMETER	(C) SEAL MATERIAL	(N)	
L	Standard Screw Adjustment	C	.19 in. (4,8 mm)	N	Buna-N
H	Calibrated Handknob with Detent Lock	D	.09 in. (2,3 mm)	V	Viton
K	manilla				
PRIMARY CARTRIDGE				(A)	
A	A (with NFCC primary cartridge, Totalmente ajustable aguja válvula)				

INCLUDED COMPONENTS

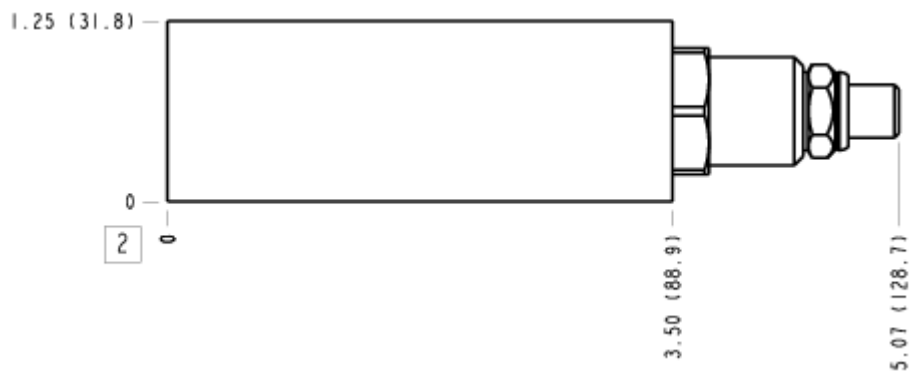
Part	Description	Quantity
LRDCXHN	Cartridge	1
NFCCLCN	Cartridge - Primary	1

MANIFOLD FACES

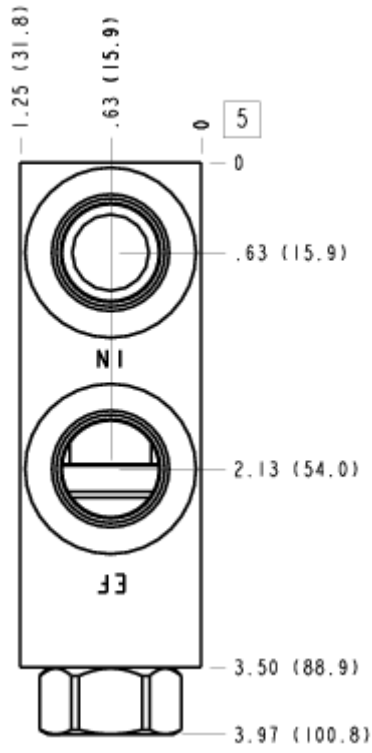
FACE GRID

1	2	3	4
5	6	7	8
9	10	11	12

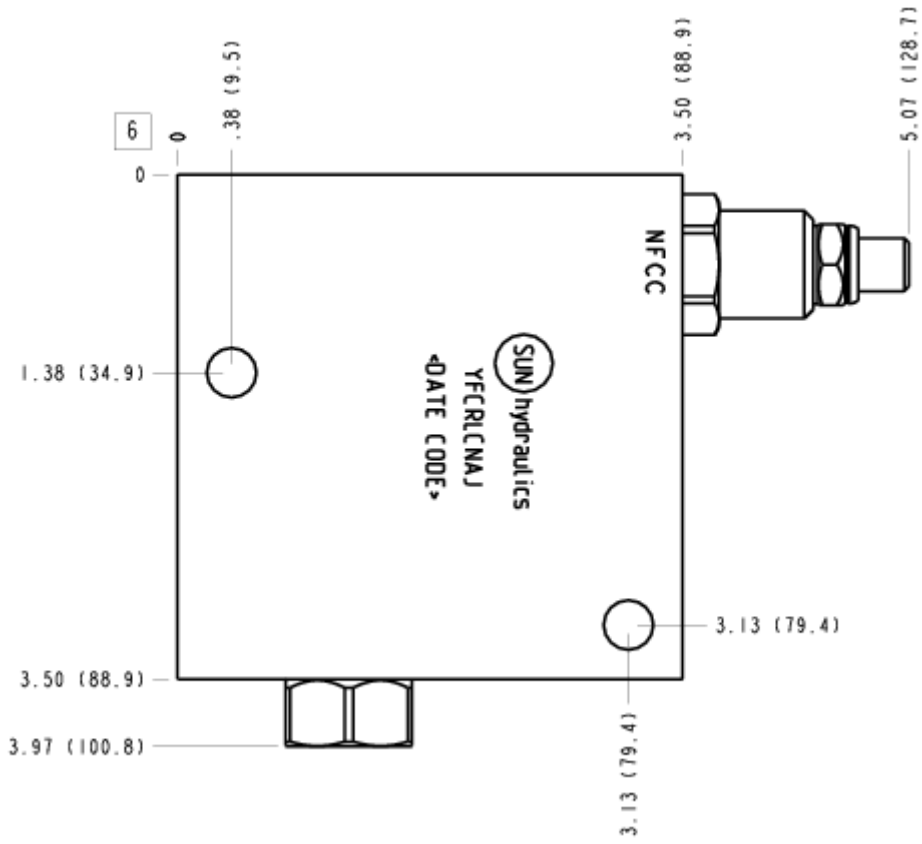
FACE 2



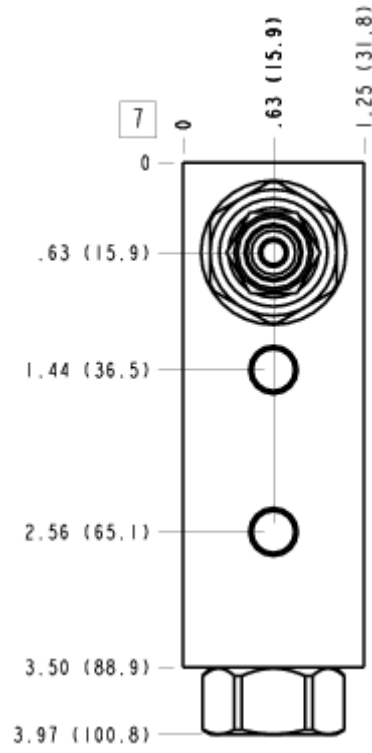
FACE 5



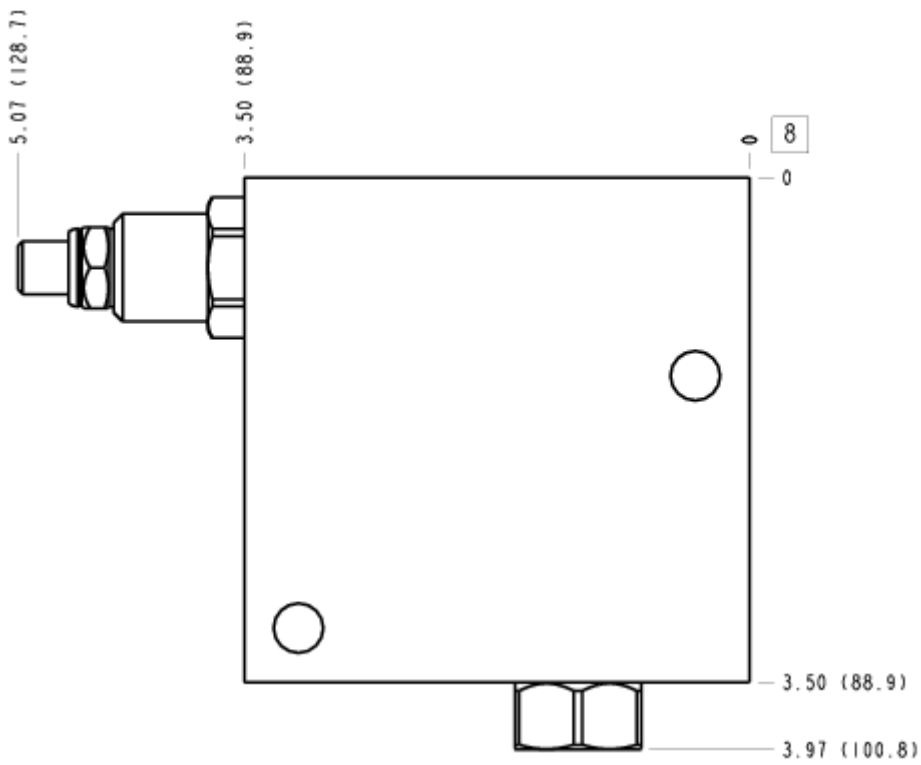
FACE 6



FACE 7



FACE 8



FACE 10

