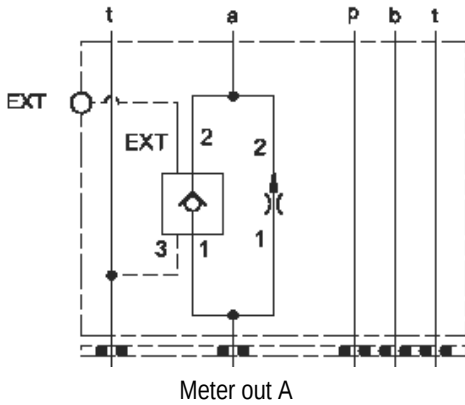
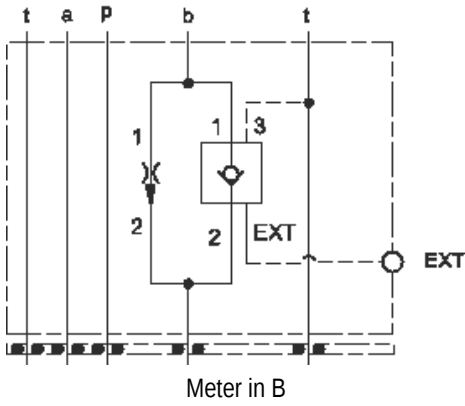




TECHNICAL DATA

	ISO 05
Stack Height	63 mm
()	
	0 - 12 gpm
	Meter in on B or meter out on A



CONFIGURATION

L	
A	.1 - 12 gpm (0,4 - 45 L/min.)
N	
B	Primary Cartridge B (with FXDA primary cartridge,)
A	Port and Material Designation A Aluminum

CONFIGURATION OPTIONS

Model Code Example: YFECLANBA

(L)

(A)

(N)

L	A	.1 - 12 gpm (0,4 - 45 L/min.)	N
X	B	.1 - 12 gpm (0,4 - 45 L/min.)	V
	I	() 17 gpm (64 L/min.)	

PRIMARY CARTRIDGE

(B)

B	B (with FXDA primary cartridge, ,)		
B	B (with FXDA8 primary cartridge, ,	T-8A)

INCLUDED COMPONENTS

Part	Description	Quantity
500-001-014*	O-Ring	5
700-001*	Seal Plate	1
CKIEVCN	Cartridge	1
FXDALAN	Cartridge - Primary	1