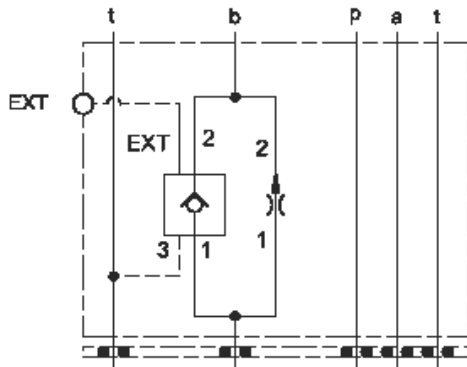


Meter in A



Meter out B

**TECHNICAL DATA** NOTE: DATA MAY VARY BY CONFIGURATION. SEE CONFIGURATION SECTION.

	ISO 05
Stack Height	63 mm
( )	
	0 - 12 gpm
	Meter in on A or meter out on B

**CONFIGURATION OPTIONS**

**Model Code Example: YFEEXANB**

(X)

(A)

(N)

<b>X</b>	<b>A</b>	.1 - 12 gpm (0,4 - 45 L/min.)	<b>N</b>
<b>L</b>	<b>B</b>	.1 - 12 gpm (0,4 - 45 L/min.)	<b>V</b>
	<b>I</b>	( ) 17 gpm (64 L/min.)	

**PRIMARY CARTRIDGE**

(B)

<b>B</b>	B (with FXDA primary cartridge, , )
<b>B</b>	B (with FXDA8 primary cartridge, , T-8A )