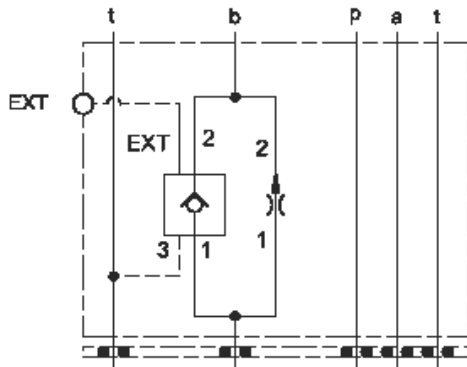


Meter in A



Meter out B

TECHNICAL DATA NOTE: DATA MAY VARY BY CONFIGURATION. SEE CONFIGURATION SECTION.

	ISO 05
	120 L/min.
Stack Height	63 mm
()	
	0 - 12 gpm
	Meter in on A or meter out on B

OPTION SELECTION EXAMPLE: YFEEXANB

(X)

(A)

(N)

X	A	.1 - 12 gpm (0,4 - 45 L/min.)	N
L	B	.1 - 12 gpm (0,4 - 45 L/min.)	V
	I	() 17 gpm (64 L/min.)	

PRIMARY CARTRIDGE

(B)

B	B (with FXDA primary cartridge, ,)
B	B (with FXDA8 primary cartridge, , T-8A)