

## TECHNICAL DATA

Body Type	Line mount
Capacity	120 L/min.
Control Flow Range	0 - 12 gpm
Mounting Hole Diameter	10,4 mm
Mounting Hole Depth	Through
Mounting Hole Quantity	2

**OPTION SELECTION EXAMPLE: YFEFXANAL**

CONTROL	(X) SETTING RANGE	(A) SEAL MATERIAL	(N)
<b>X</b> Not Adjustable	<b>A</b> Replaceable Orifice .1 - 12 gpm (0,4 - 45 L/min.)	<b>N</b> Buna-N	
<b>C</b> Tamper Resistant - Factory Set		<b>V</b> Viton	
<b>PRIMARY CARTRIDGE</b>			<b>(A)</b>
<b>A</b> A (with FRDA primary cartridge, Fixed-orifice, desvió / restrictivo, prioritario, control de caudal válvula )			

**INCLUDED COMPONENTS**

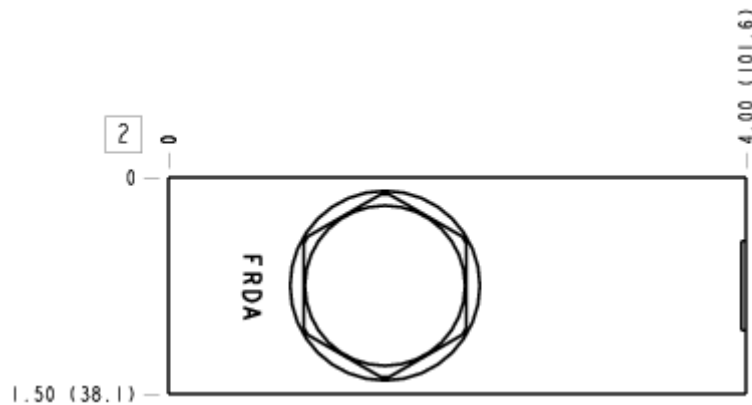
Part	Description	Quantity
FRDAXAN	Cartridge - Primary	1
RPECFAN	Cartridge	1

**MANIFOLD FACES**

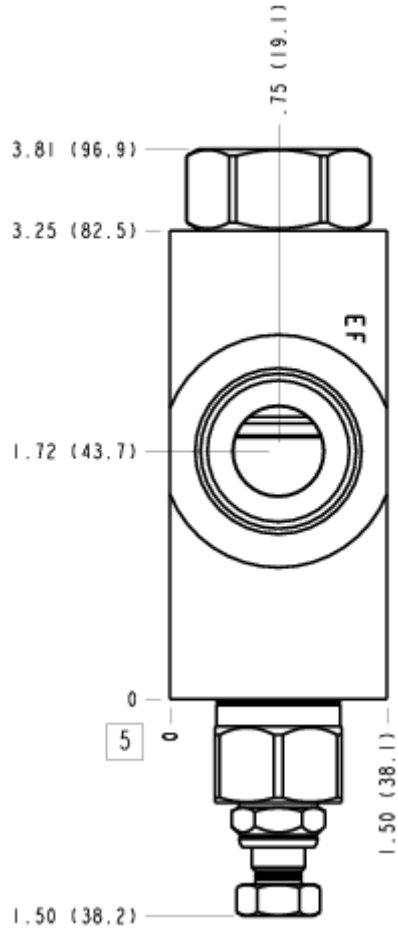
**FACE GRID**

1	2	3	4
5	6	7	8
9	10	11	12

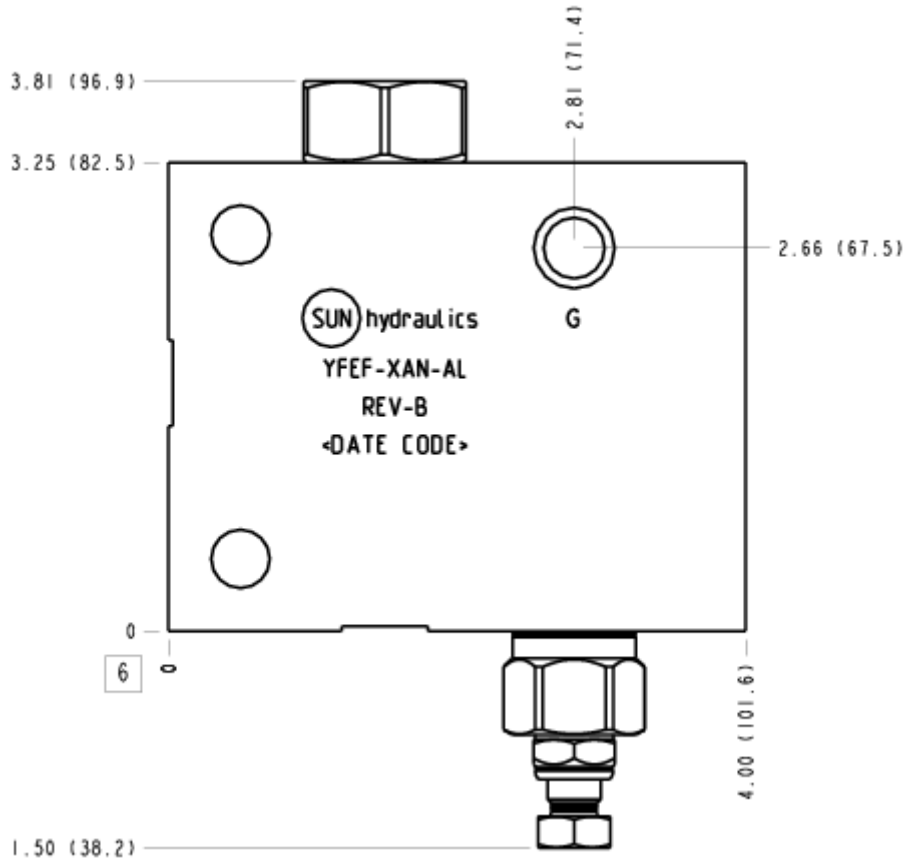
**FACE 2**



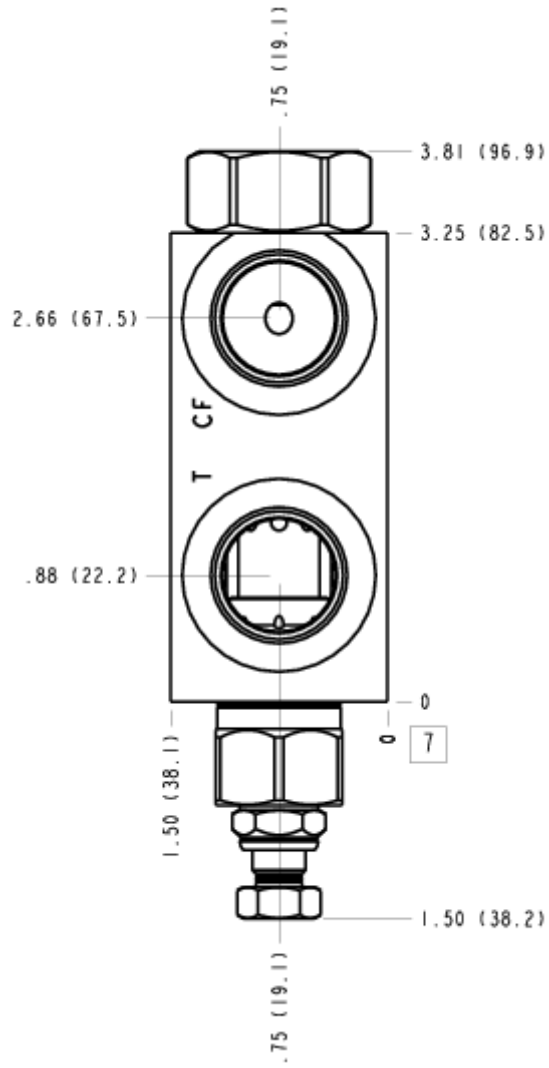
# FACE 5



# FACE 6



FACE 7



FACE 10

