

TECHNICAL DATA NOTE: DATA MAY VARY BY CONFIGURATION. SEE CONFIGURATION SECTION.

	120 L/min.
	0 - 12 gpm
	10,4 mm
	Through
	2

OPTION SELECTION EXAMPLE: YFEFXANAL

(X) (A) (N)

X	A	.1 - 12 gpm (0,4 - 45 L/min.)	N
L	B	.1 - 12 gpm (0,4 - 45 L/min.)	V
O	I	() 17 gpm (64 L/min.)	

PRIMARY CARTRIDGE

(A)

A	A (with FRDA primary cartridge, , / , ,)
----------	---

INCLUDED COMPONENTS

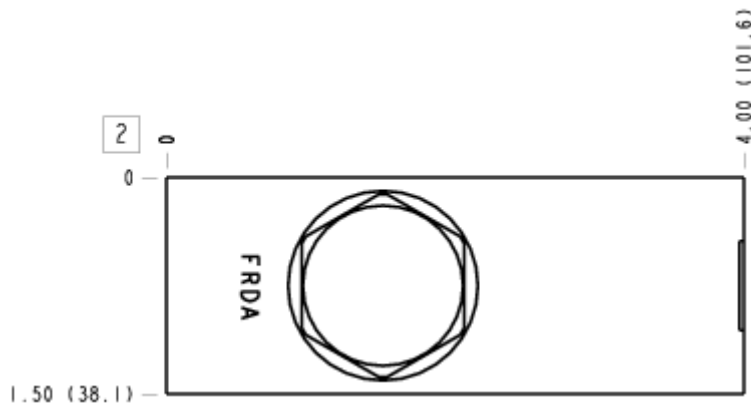
Part	Description	Quantity
FRDAXAN	Cartridge - Primary	1
RPECFAN	Cartridge	1

MANIFOLD FACES

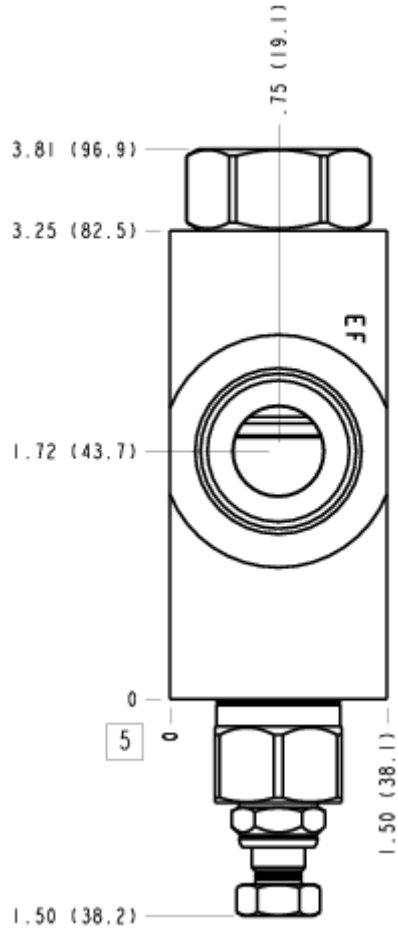
FACE GRID

1	2	3	4
5	6	7	8
9	10	11	12

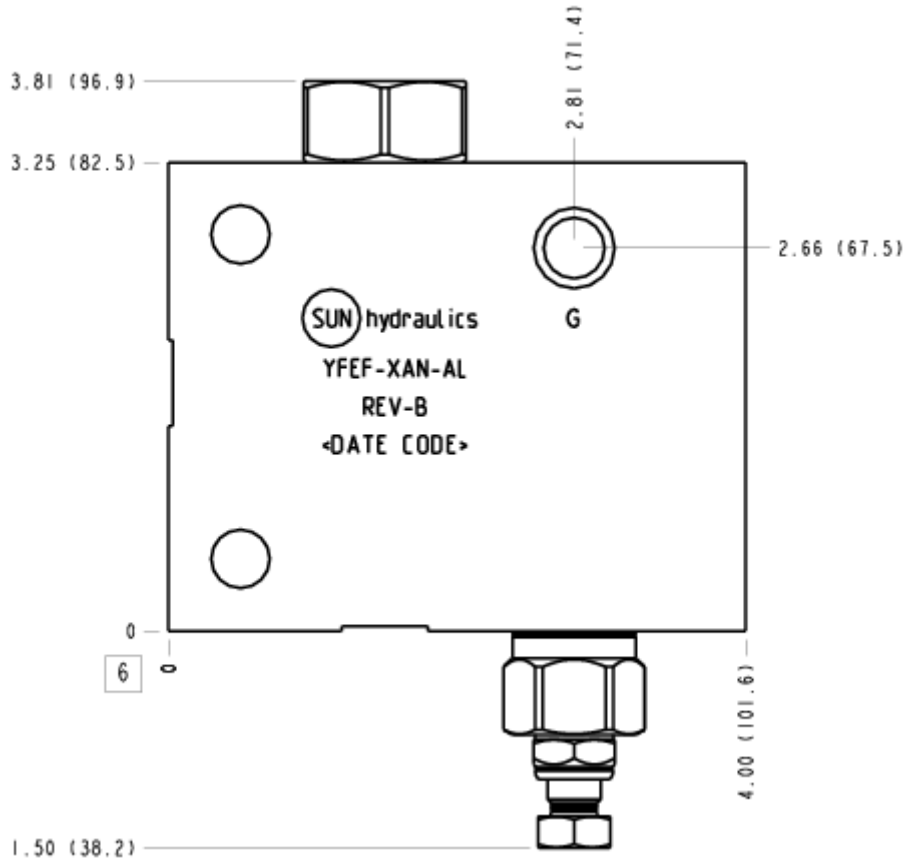
FACE 2



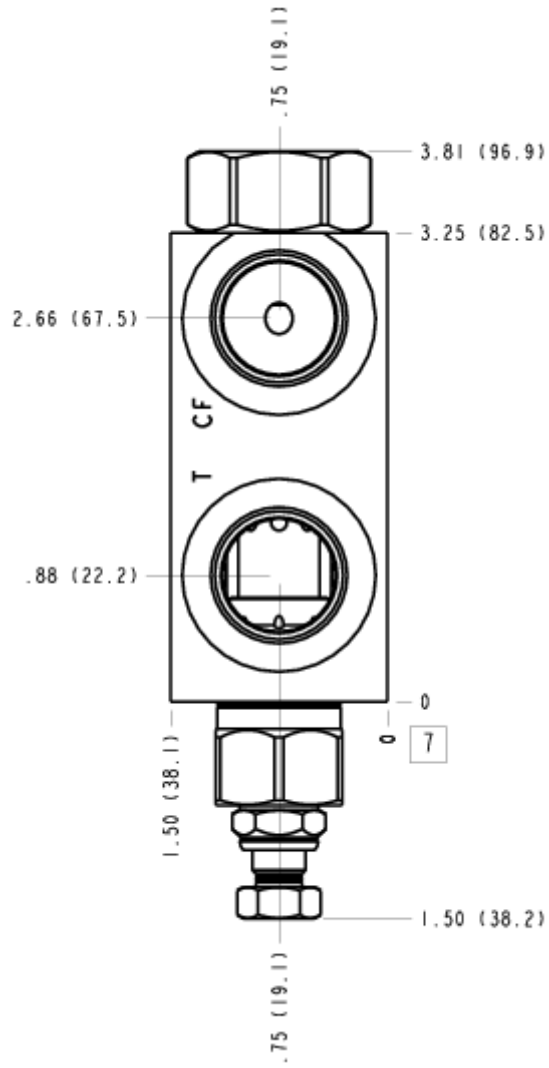
FACE 5



FACE 6



FACE 7



FACE 10

