

TECHNICAL DATA

Body Type	Line mount
Capacity	120 L/min.
Control Flow Range	0 - 12 gpm
Mounting Hole Diameter	10,4 mm
Mounting Hole Depth	Through
Mounting Hole Quantity	2

OPTION SELECTION EXAMPLE: YFEGXANAL

CONTROL	(X) SETTING RANGE	(A) SEAL MATERIAL	(N)
X Not Adjustable	A Replaceable Orifice .1 - 12 gpm (0,4 - 45 L/min.)	N Buna-N	
C Tamper Resistant - Factory Set		V Viton	
PRIMARY CARTRIDGE			(A)
A A (with FRDA primary cartridge, Fixed-orifice, desvió /restrictivo, prioritario, control de caudal válvula)			

INCLUDED COMPONENTS

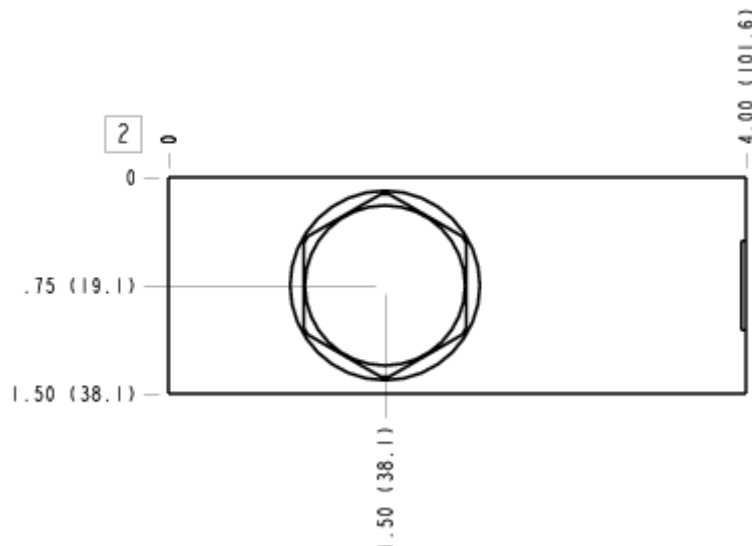
Part	Description	Quantity
FRDAXAN	Cartridge - Primary	1
RPECFAN	Cartridge	1

MANIFOLD FACES

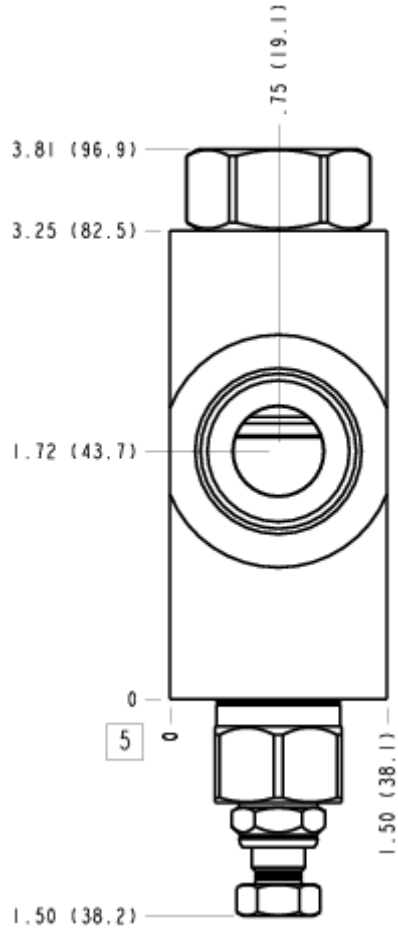
FACE GRID

1	2	3	4
5	6	7	8
9	10	11	12

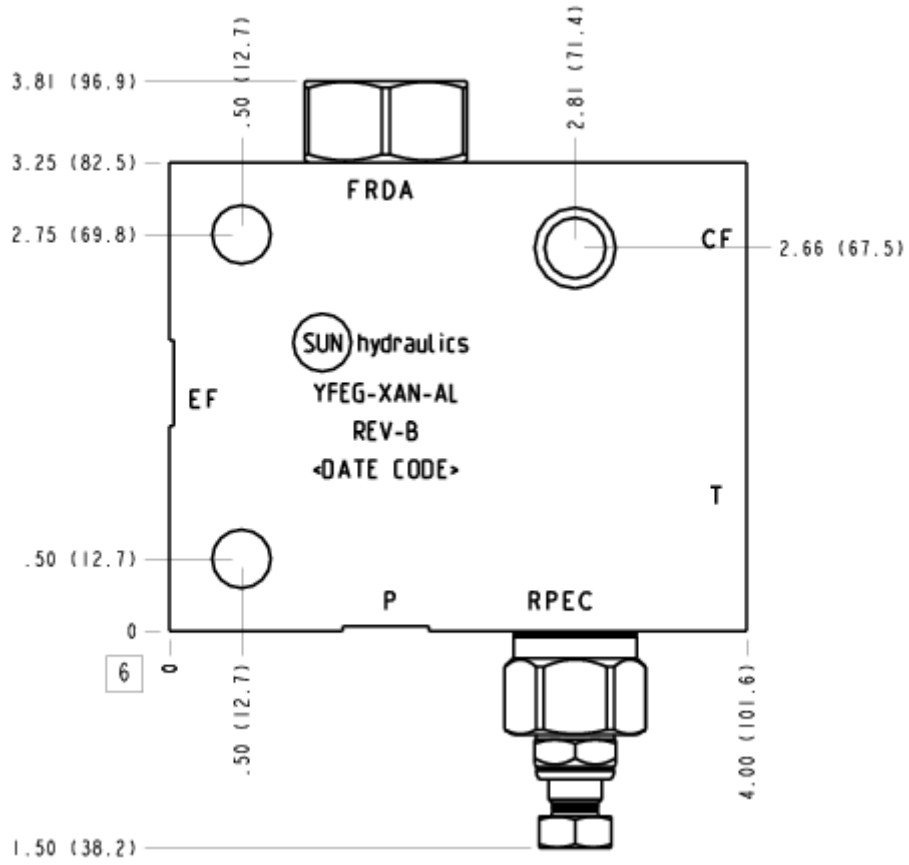
FACE 2



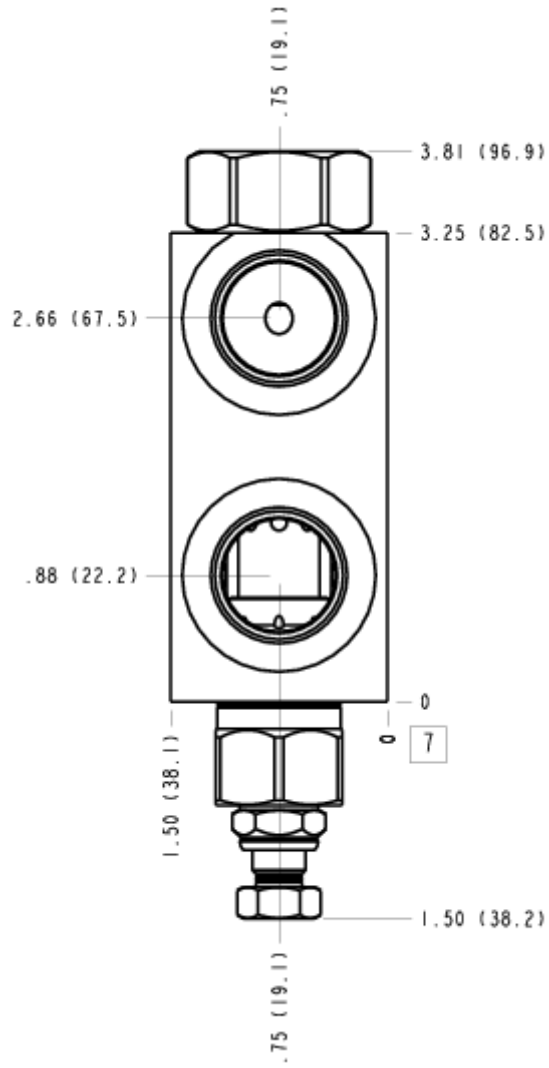
FACE 5



FACE 6



FACE 7



FACE 10

