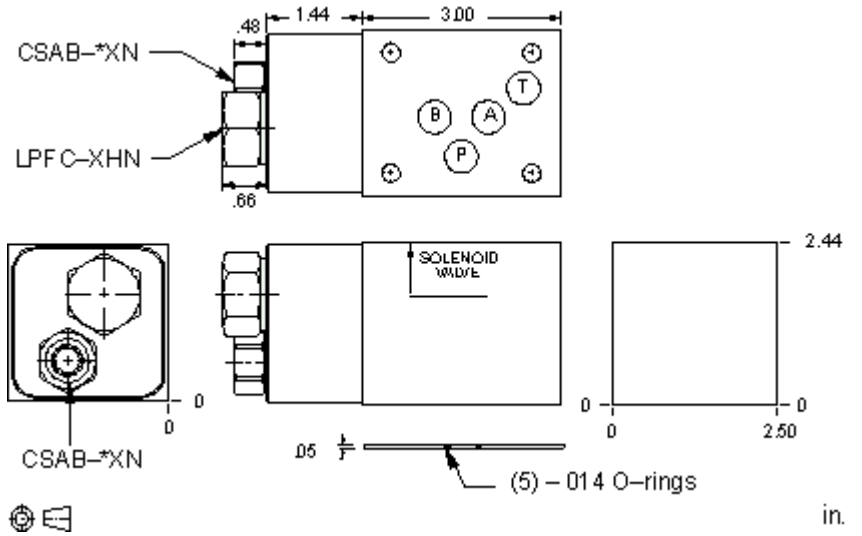


Restrictive pressure compensator

CONFIGURATION

X	
F	100 psi (7 bar)
Primary Cartridge	
Material Designation	



TECHNICAL DATA

	ISO 05
Stack Height	63 mm
()	
	P

CONFIGURATION OPTIONS

Model Code Example: YFEJXFGHNN

	(X)	(F)	(V)
X	F 100 psi (7 bar)	V	
	D 50 psi (3,5 bar)	N	
	H 200 psi (14 bar)		

PRIMARY CARTRIDGE

(B)

B	B (with LPFC primary cartridge, ,)
B	B (with LPFCL primary cartridge, ,)