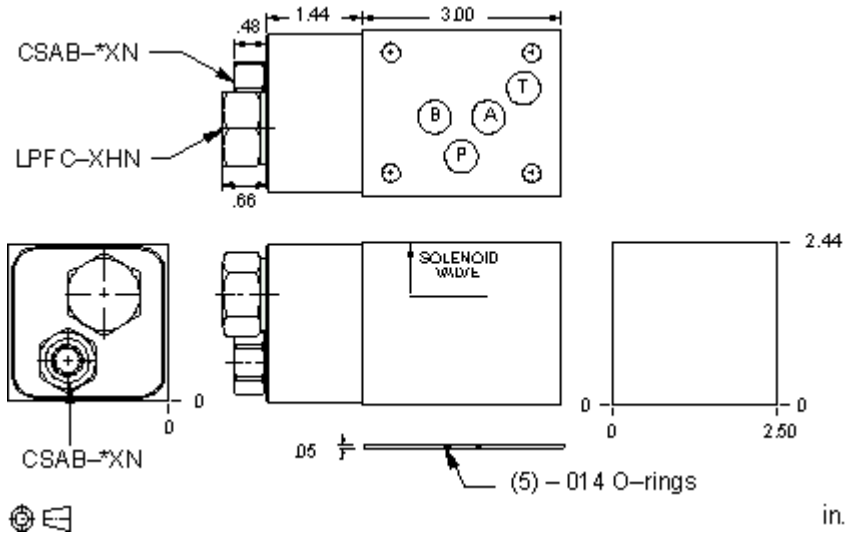


Restrictive pressure compensator

**CONFIGURATION**

X	
F	100 psi (7 bar)
Primary Cartridge	
Material Designation	



**TECHNICAL DATA** NOTE: DATA MAY VARY BY CONFIGURATION. SEE CONFIGURATION SECTION.

	ISO 05
	120 L/min.
Stack Height	63 mm
( )	
	P

**OPTION SELECTION EXAMPLE: YFEJXFGHNN**

(X)

(F)

(V)

<b>X</b>	<b>F</b> 100 psi (7 bar)	<b>V</b>
	<b>D</b> 50 psi (3,5 bar)	<b>N</b>
	<b>H</b> 200 psi (14 bar)	

**PRIMARY CARTRIDGE**

(B)

<b>B</b>	B (with LPFC primary cartridge, )
<b>B</b>	B (with LPFCL primary cartridge, )