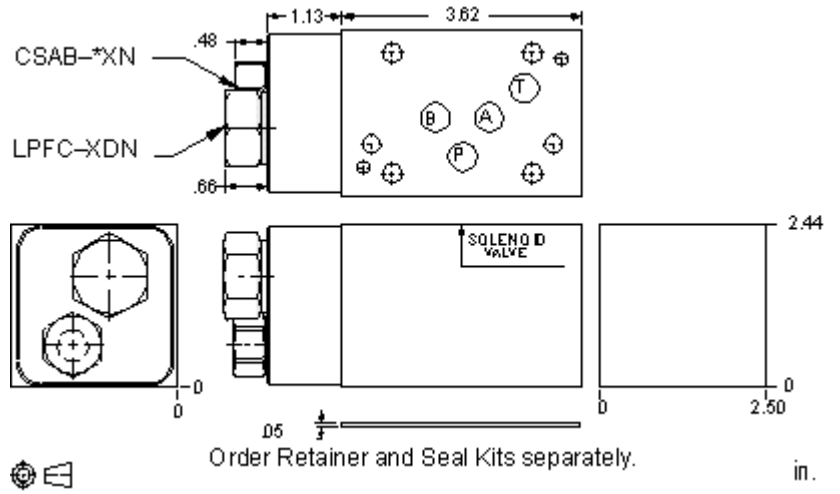


Restrictive pressure compensator



TECHNICAL DATA

Body Type	Sandwich
Interface	ISO 05 - X&Y
Capacity	120 L/min.
Body Features	Meter in P
Operating Characteristic	Restrictive
Seal Plate Included (see notes)	No
Stack Height	63 mm

OPTION SELECTION EXAMPLE: YFEKXHNBB

CONTROL	(X) DIFFERENTIAL PRESSURE	(H) SEAL MATERIAL	(N)
X Not Adjustable	H 200 psi (14 bar)	N Buna-N	
	D 50 psi (3,5 bar)	V Viton	
	F 100 psi (7 bar)		

PRIMARY CARTRIDGE (B)

B	B (with LPFC primary cartridge, Normalmente abierto, elementos de modulación)
B	B (with LPFCL primary cartridge, Ajustable, normalmente abierto elementos de modulación)

INCLUDED COMPONENTS

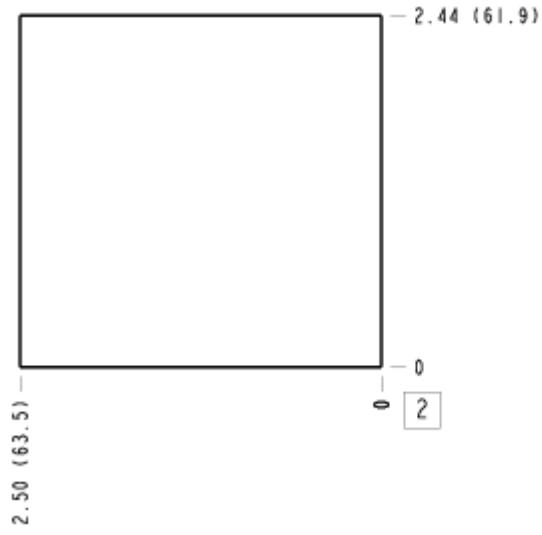
Part	Description	Quantity
CSABXXN	Cartridge	1
LPFCXHN	Cartridge - Primary	1

MANIFOLD FACES

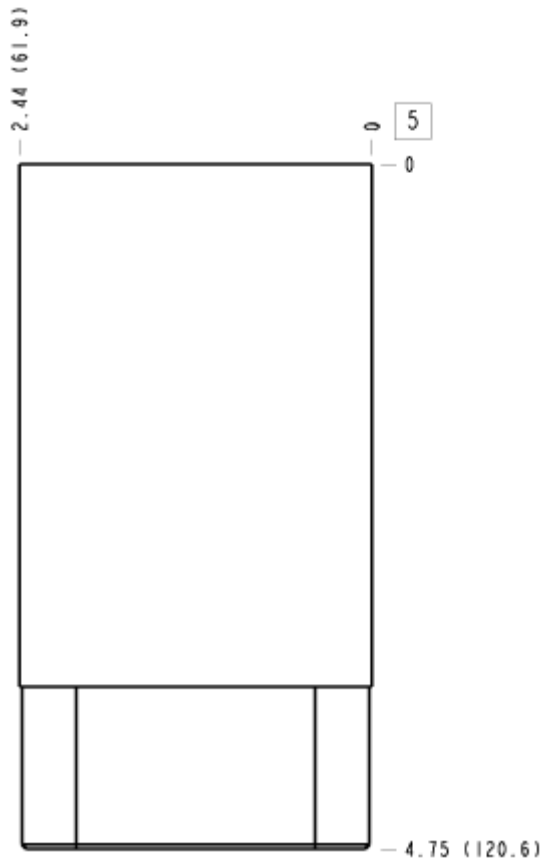
FACE GRID

1	2	3	4
5	6	7	8
9	10	11	12

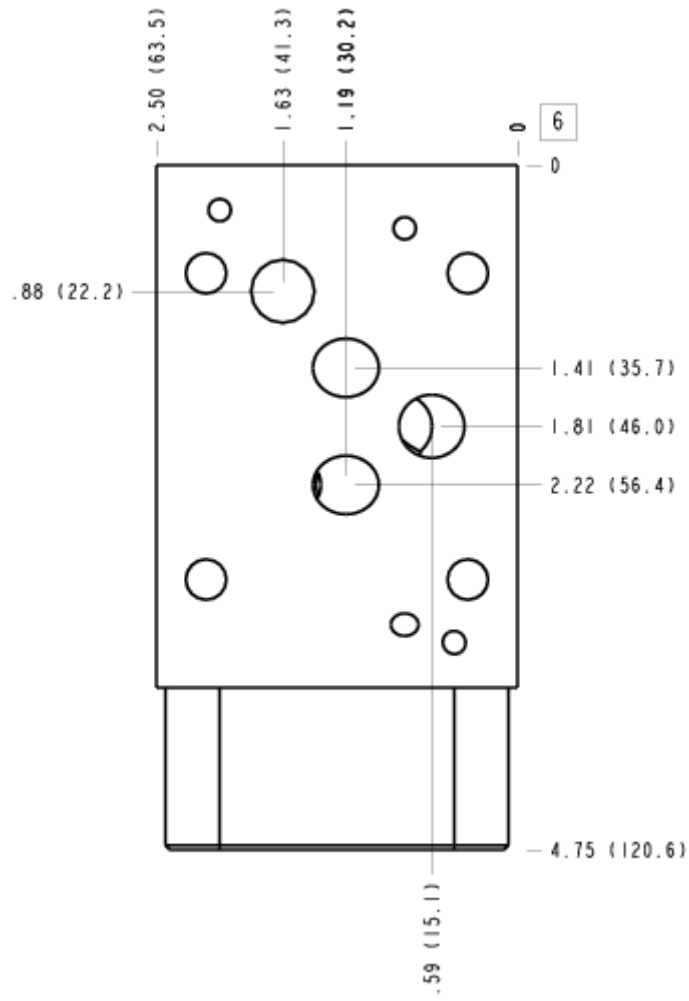
FACE 2



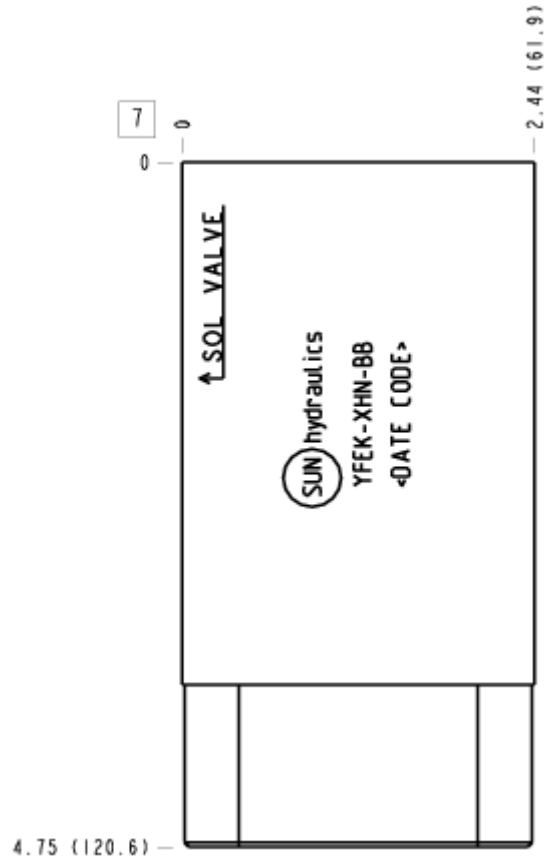
FACE 5



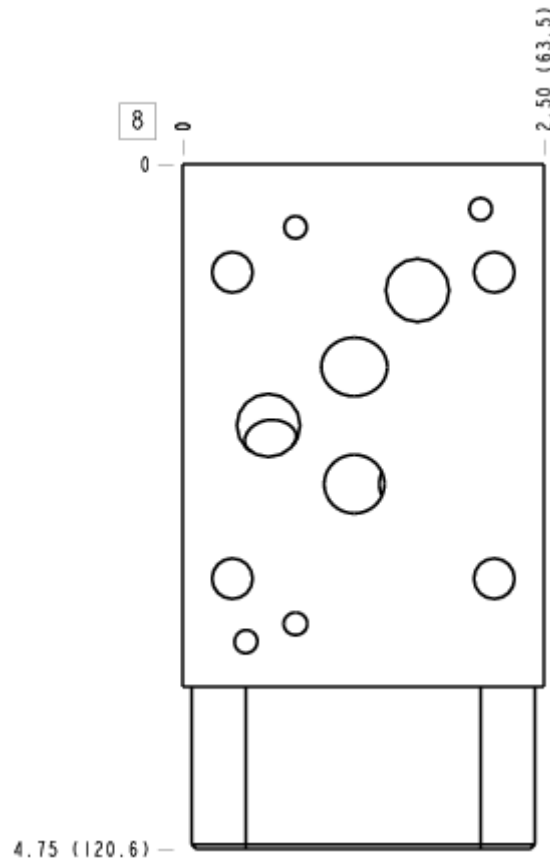
FACE 6



FACE 7



FACE 8



FACE 10

