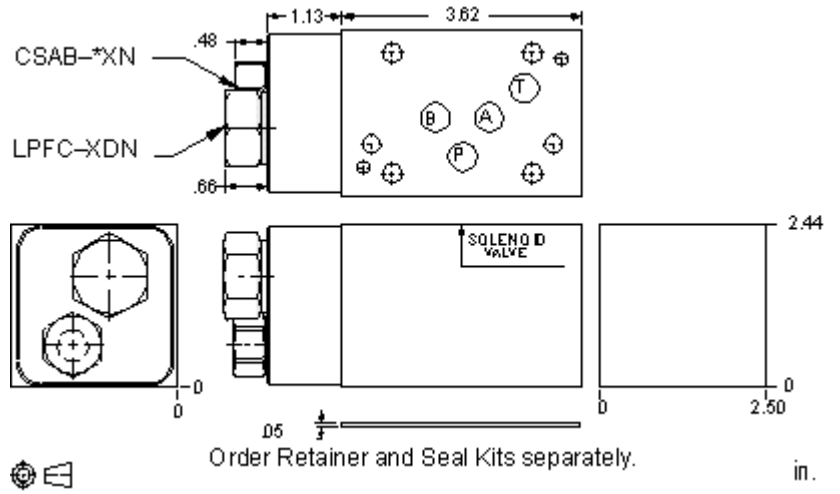


Restrictive pressure compensator



TECHNICAL DATA NOTE: DATA MAY VARY BY CONFIGURATION. SEE CONFIGURATION SECTION.

	ISO 05 - X&Y
	120 L/min.
()	
	P
Stack Height	63 mm

OPTION SELECTION EXAMPLE: YFEKXHNBB

(X) (H) (N)

X	H 200 psi (14 bar)	N
	D 50 psi (3,5 bar)	V
	F 100 psi (7 bar)	

PRIMARY CARTRIDGE

(B)

B	B (with LPFC primary cartridge,)
B	B (with LPFCL primary cartridge,)

INCLUDED COMPONENTS

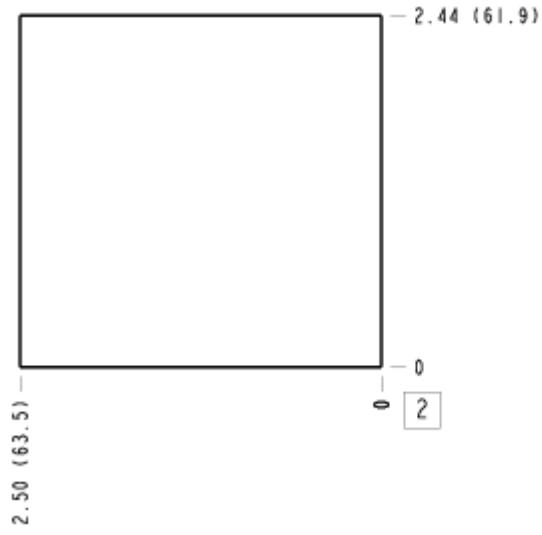
Part	Description	Quantity
CSABXXN	Cartridge	1
LPFCXHN	Cartridge - Primary	1

MANIFOLD FACES

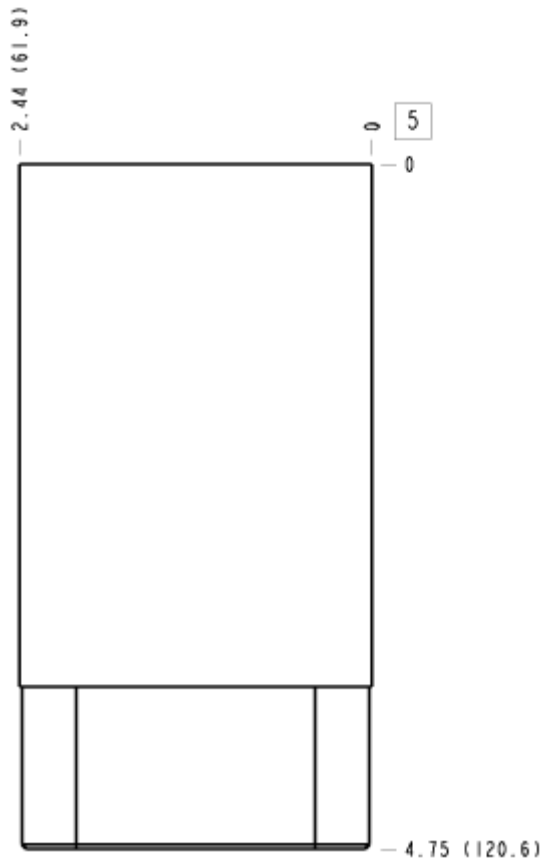
FACE GRID

1	2	3	4
5	6	7	8
9	10	11	12

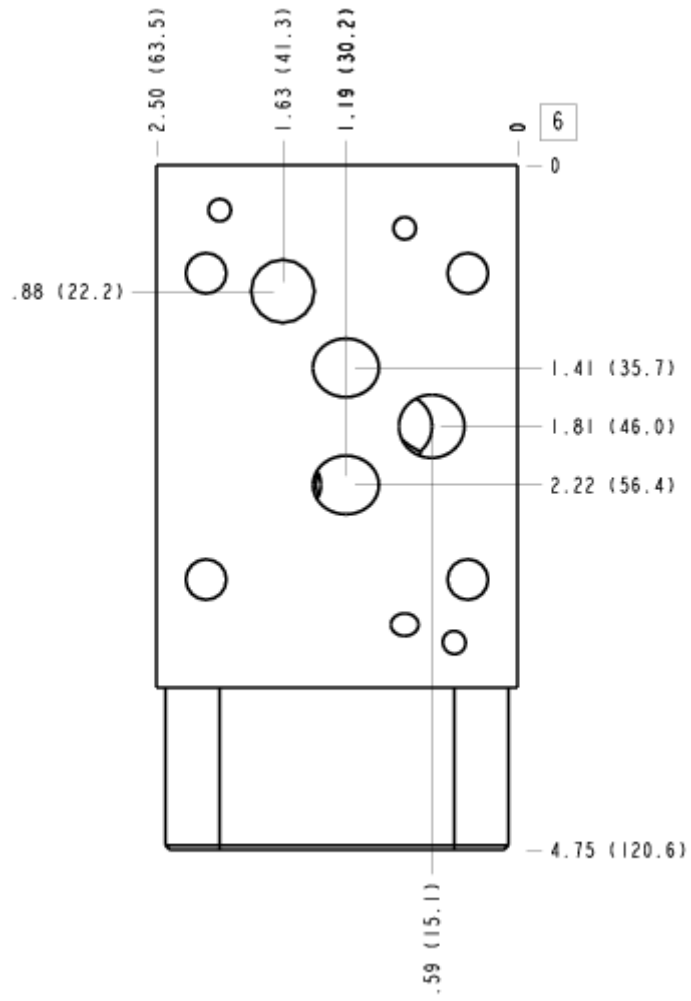
FACE 2



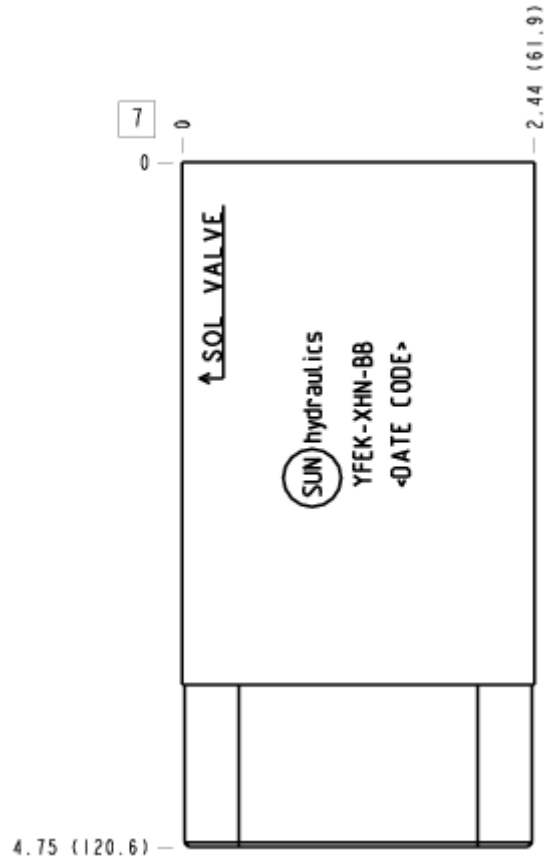
FACE 5



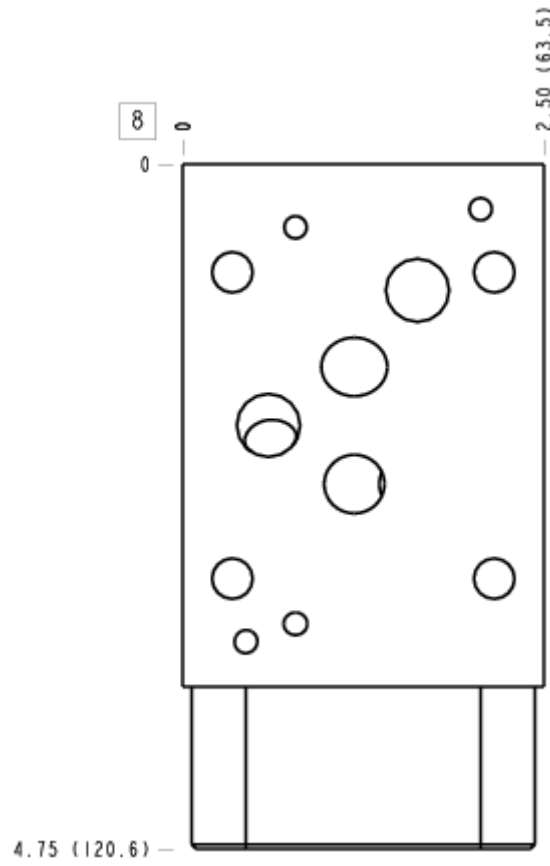
FACE 6



FACE 7



FACE 8



FACE 10

