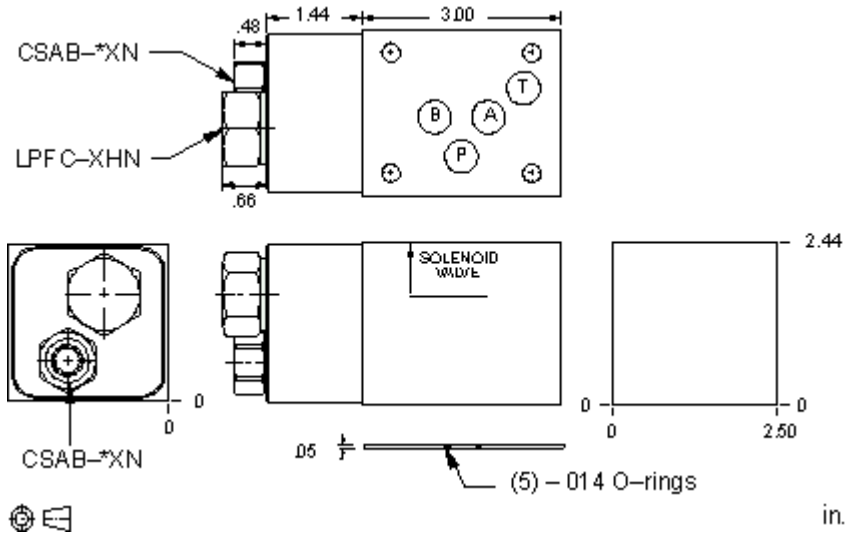


Restrictive pressure compensator with load sense port



This valve assembly consists of a normally-open restrictive style compensator on the P port and a shuttle that senses pressure from the higher of the 2 work ports. Its purpose is to provide a relatively constant pressure drop across the directional valve thus isolating the directional valve spool from high flow forces. This is accomplished by throttling the supply into the P port. The constant drop creates a pressure compensated flow control out of the directional valve. The shuttle valve has a auxiliary port in the hex body for connection into the load sense system.

TECHNICAL DATA NOTE: DATA MAY VARY BY CONFIGURATION. SEE CONFIGURATION SECTION.

Body Type	Sandwich
Interface	ISO 05
Capacity	30 gpm
Body Features	Meter in P
Operating Characteristic	Restrictive
Seal Plate Included (see notes)	Yes
Stack Height	2.49 in.

- NOTES:**
- Stack height value in technical data table includes seal retainer plate.
 - For detailed information regarding the cartridges contained in this assembly, click on the models codes shown in the Included Components tab.
 - **Important:** Carefully consider the maximum system pressure. The pressure rating of the manifold is dependent on the manifold material, with the port type/size a secondary consideration. Manifolds constructed of aluminum are not rated for pressures higher than 3000 psi (210 bar), regardless of the port type/size specified.

OPTION SELECTION EXAMPLE: YFEPXHNBA

CONTROL	(X) DIFFERENTIAL PRESSURE	(H) SEAL MATERIAL	(N)
X Not Adjustable	H 200 psi (14 bar)	N Buna-N	
	D 50 psi (3,5 bar)	V Viton	
	F 100 psi (7 bar)		

PRIMARY CARTRIDGE (B)

B	B (with LPFC primary cartridge, Normally open, modulating element)
B	B (with LPFCL primary cartridge, Tuneable, normally open modulating element)

INCLUDED COMPONENTS

Part	Description	Quantity
500-001-014*	O-Ring	5
700-001*	Seal Plate	1
CSABAXN	Cartridge	1
LPFCXHN	Cartridge - Primary	1

TECHNICAL FEATURES

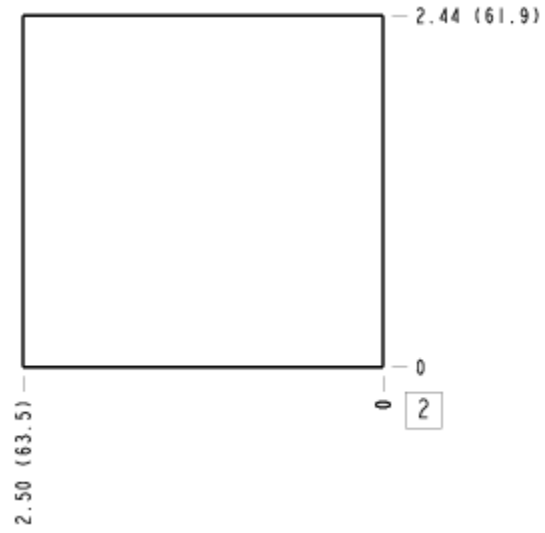
- This assembly is normally used in a multi-station load-sense system or with a pressure compensated pump.
- The pressure differential across the orifice (directional valve) varies with flow and system pressure. It is at its highest at zero flow and drops with increasing flow.
- Adding a /M to the end of the part number will change the auxiliary load-sense port from SAE-4 to ¼ BSPP.
- Another term for this assembly is a hydrostat.

MANIFOLD FACES

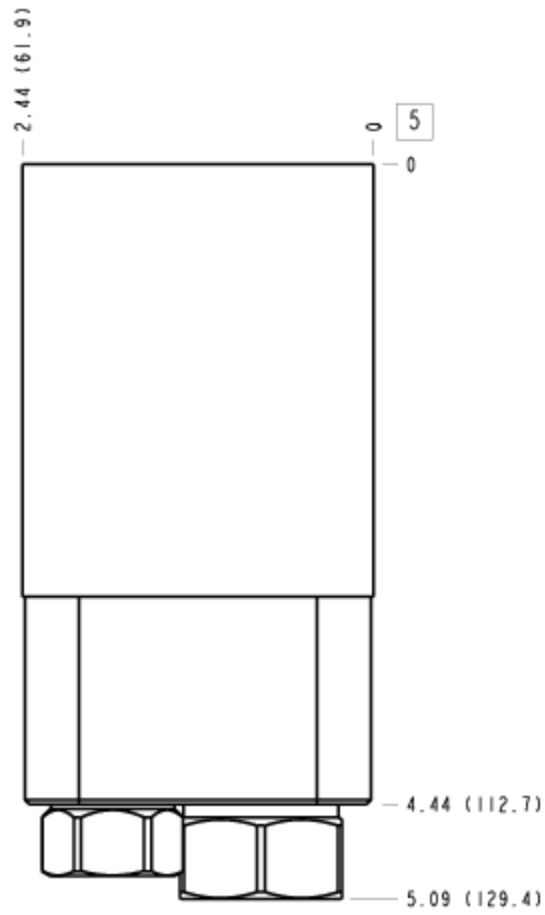
FACE GRID

1	2	3	4
5	6	7	8
9	10	11	12

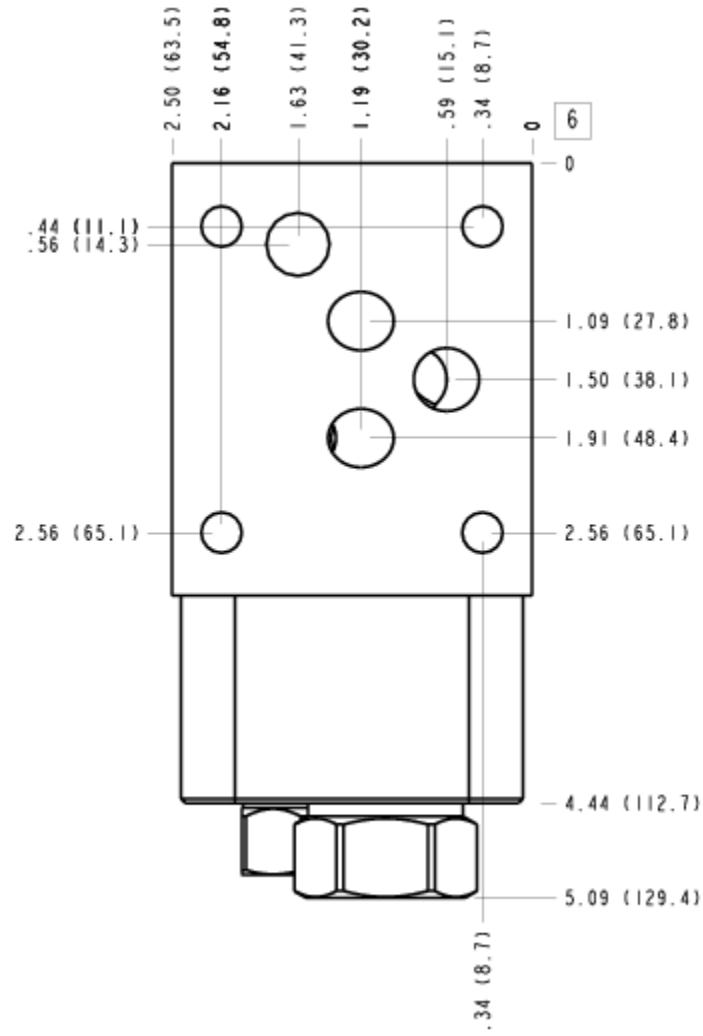
FACE 2



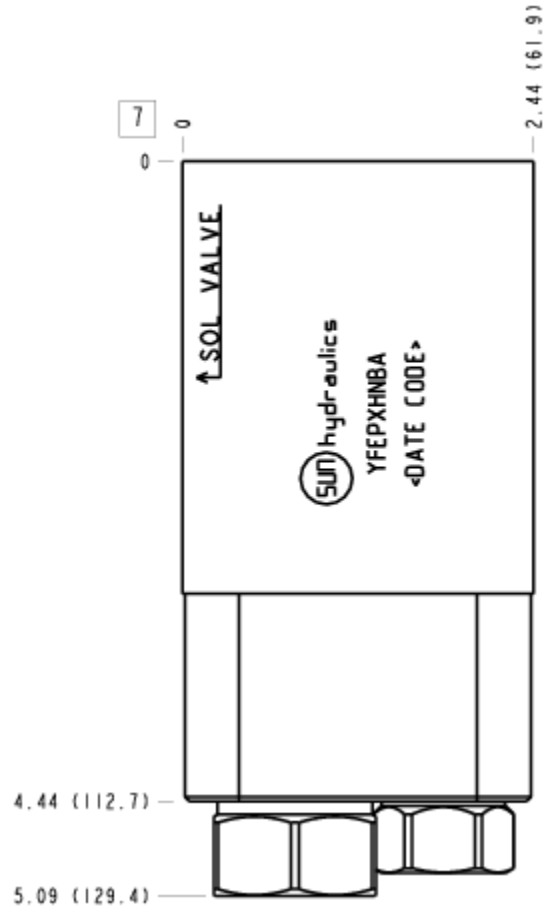
FACE 5



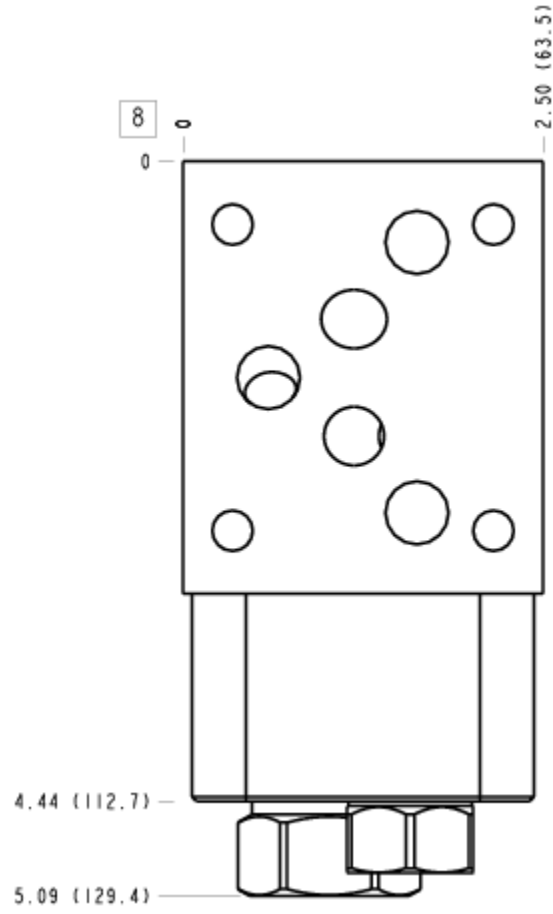
FACE 6



FACE 7



FACE 8



FACE 10

