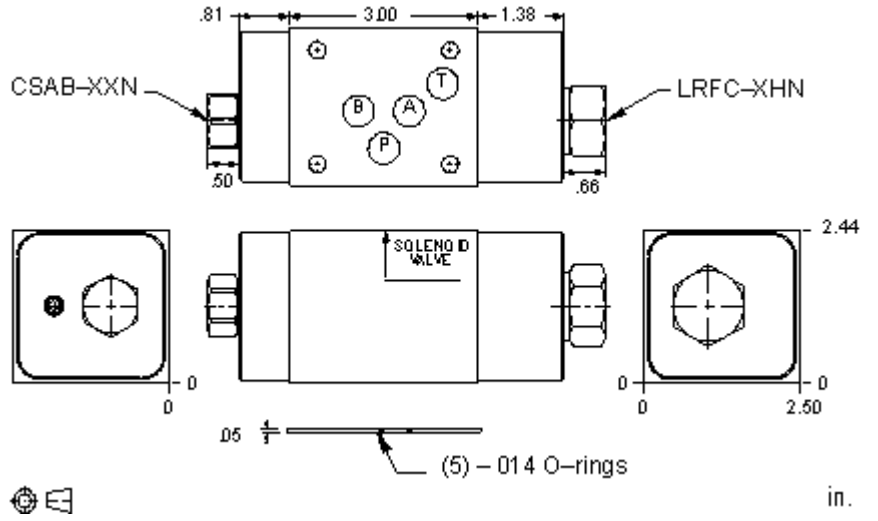


**CONFIGURATION**

X	
E	75 psi (5 bar)
N	
B	Primary Cartridge B (with LRFC primary cartridge, )



**TECHNICAL DATA**

	ISO 05
Stack Height	63 mm
( )	
	P

**CONFIGURATION OPTIONS**

**Model Code Example: YFEVXENB**

	(X)	(E)	(N)
<b>X</b>	<b>E</b> 75 psi (5 bar)	<b>N</b>	
	<b>D</b> 50 psi (3,5 bar)	<b>V</b>	
	<b>F</b> 100 psi (7 bar)		
	<b>G</b> 150 psi (10,5 bar)		
	<b>H</b> 200 psi (14 bar)		

**PRIMARY CARTRIDGE**

(B)

<b>B</b>	B (with LRFC primary cartridge, , )
<b>B</b>	B (with LRFCL primary cartridge, , , )