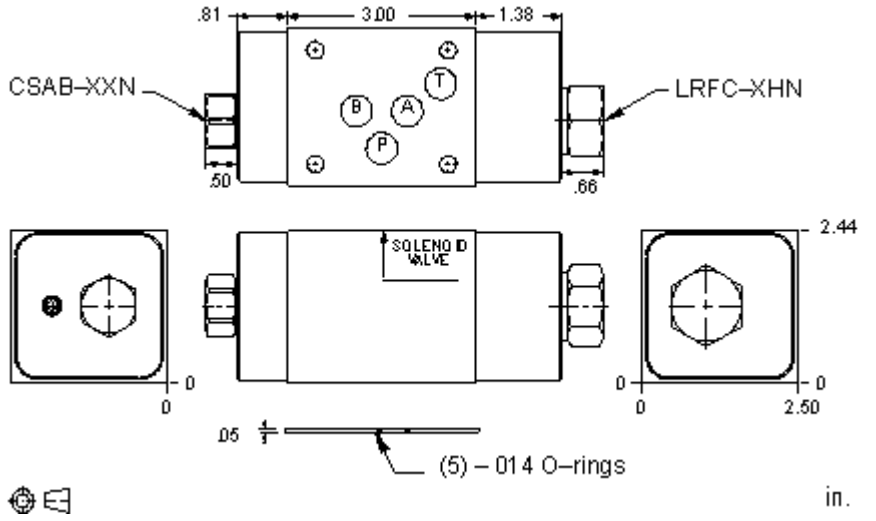


**CONFIGURATION**

X	
E	75 psi (5 bar)
N	
B	Primary Cartridge B (with LRFC primary cartridge, )



**TECHNICAL DATA** NOTE: DATA MAY VARY BY CONFIGURATION. SEE CONFIGURATION SECTION.

	ISO 05
	120 L/min.
Stack Height	63 mm
( )	
	P

**OPTION SELECTION EXAMPLE: YFEVXENB**

(X)

(E)

(N)

<b>X</b>	<b>E</b> 75 psi (5 bar)	<b>N</b>
	<b>D</b> 50 psi (3,5 bar)	<b>V</b>
	<b>F</b> 100 psi (7 bar)	
	<b>G</b> 150 psi (10,5 bar)	
	<b>H</b> 200 psi (14 bar)	

**PRIMARY CARTRIDGE**

(B)

<b>B</b>	B (with LRFC primary cartridge, , )
<b>B</b>	B (with LRFCL primary cartridge, , , )