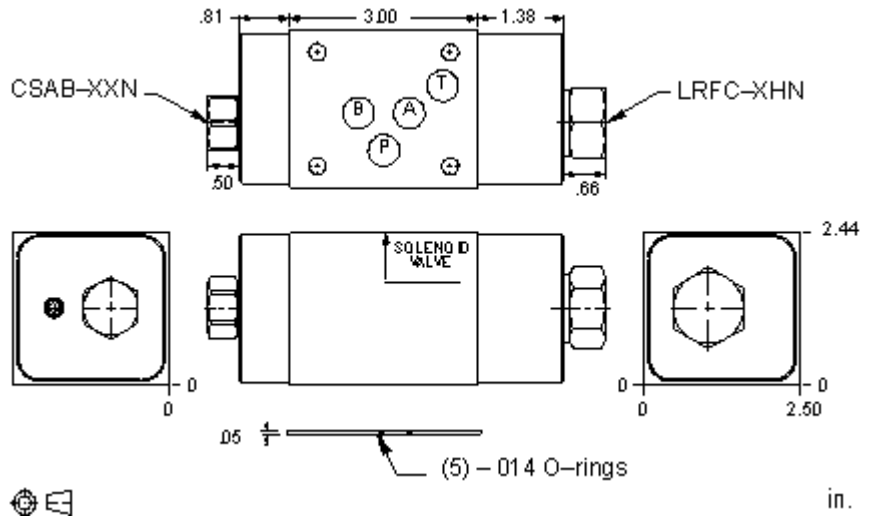


CONFIGURATION

X Control	Not Adjustable
F Differential Pressure	100 psi (7 bar)
N Seal Material	Buna-N
B Primary Cartridge	B (with LRFC primary cartridge, Normalmente cerrado, elementos de modulación)
A Material Designation	A Aluminum



TECHNICAL DATA

NOTE: DATA MAY VARY BY CONFIGURATION. SEE CONFIGURATION SECTION.

Body Type	apilables
Interface	ISO 05
Capacity	120 L/min.
Body Features	alimentación regulada en P
Seal Plate Included (see notes)	Yes
Stack Height	63 mm

OPTION SELECTION EXAMPLE: YFEVXFNB

CONTROL	(X) DIFFERENTIAL PRESSURE	(F) SEAL MATERIAL	(N)
X Not Adjustable	F 100 psi (7 bar)	N Buna-N	
	G 150 psi (10,5 bar)	V Viton	
	H 200 psi (14 bar)		

PRIMARY CARTRIDGE (B)

B	B (with LRFC primary cartridge, Normalmente cerrado, elementos de modulación)
B	B (with LRFCL primary cartridge, Ajustable, normalmente cerrado, elementos de modulación)

INCLUDED COMPONENTS

Part	Description	Quantity
340-001*	Pipe Plug	1
500-001-014*	O-Ring	5
700-001*	Seal Plate	1
CSABXXN	Cartridge	1
LRFCXFN	Cartridge - Primary	1