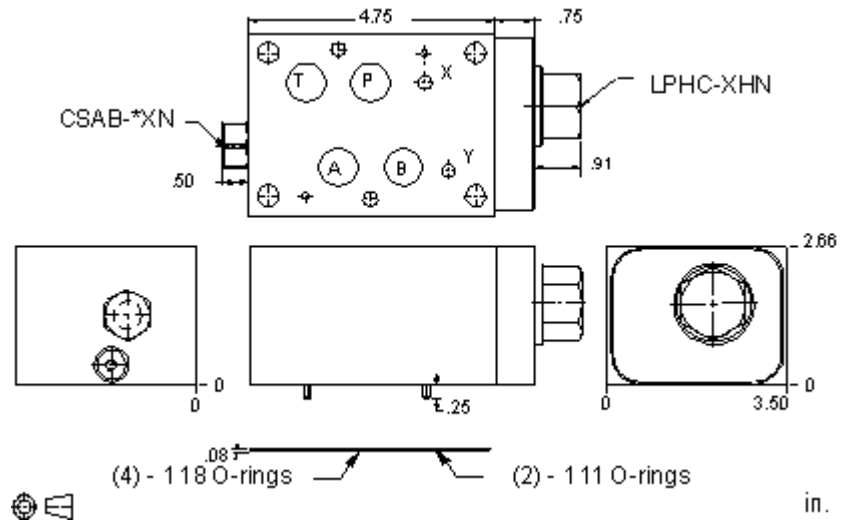


Restrictive pressure compensator



**TECHNICAL DATA** NOTE: DATA MAY VARY BY CONFIGURATION. SEE CONFIGURATION SECTION.

	ISO 07
	160 L/min.
( )	
	P
Stack Height	70 mm

**OPTION SELECTION EXAMPLE: YFFEXHNAB**

(X) (H) (N)

<b>X</b>	<b>H</b> 200 psi (14 bar)	<b>N</b>
	<b>D</b> 50 psi (3,5 bar)	<b>V</b>
	<b>F</b> 100 psi (7 bar)	

**PRIMARY CARTRIDGE**

(A)

<b>A</b>	A (with LPHC primary cartridge, , )
<b>A</b>	A (with LPHCL primary cartridge, , , )

**INCLUDED COMPONENTS**

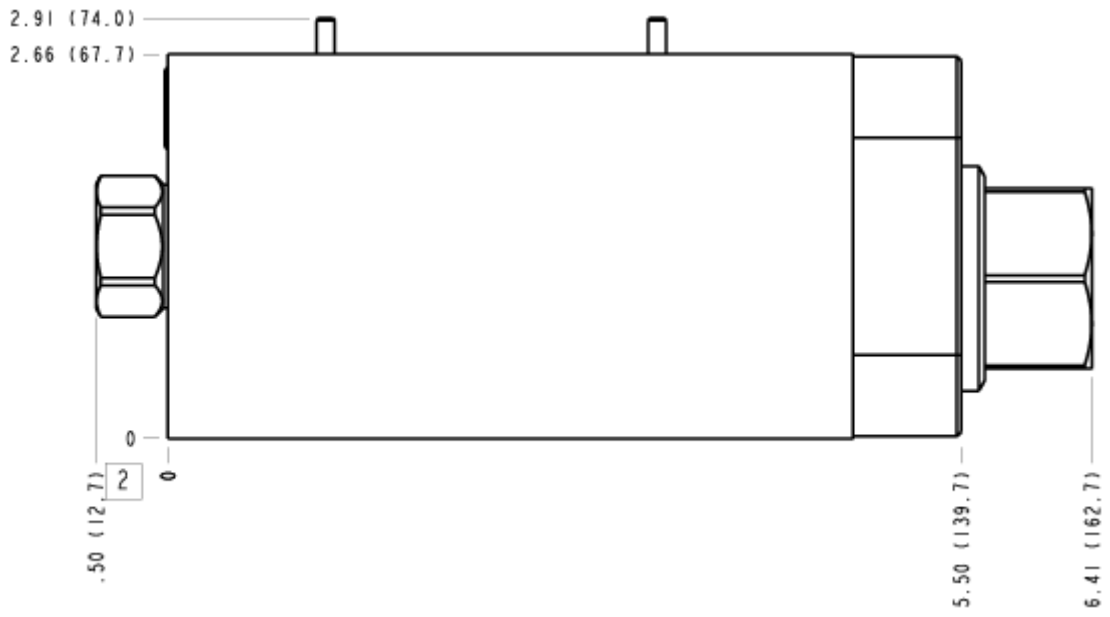
Part	Description	Quantity
500-001-111*	O-Ring	2
500-001-118*	O-Ring	4
700-006*	Seal Plate	1
811-001-006*	Pin	2
A330-006-004*	SAE Plug	1
CSABXXN	Cartridge	1
LPHCXHN	Cartridge - Primary	1

**MANIFOLD FACES**

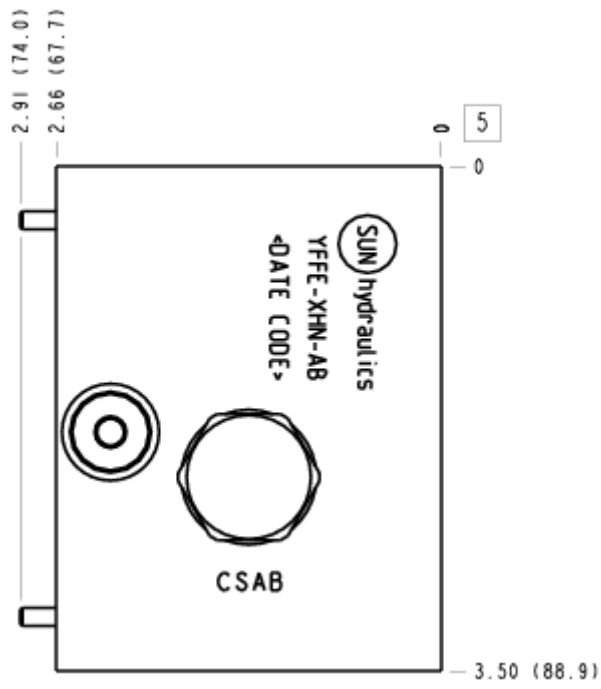
**FACE GRID**

1	2	3	4
5	6	7	8
9	10	11	12

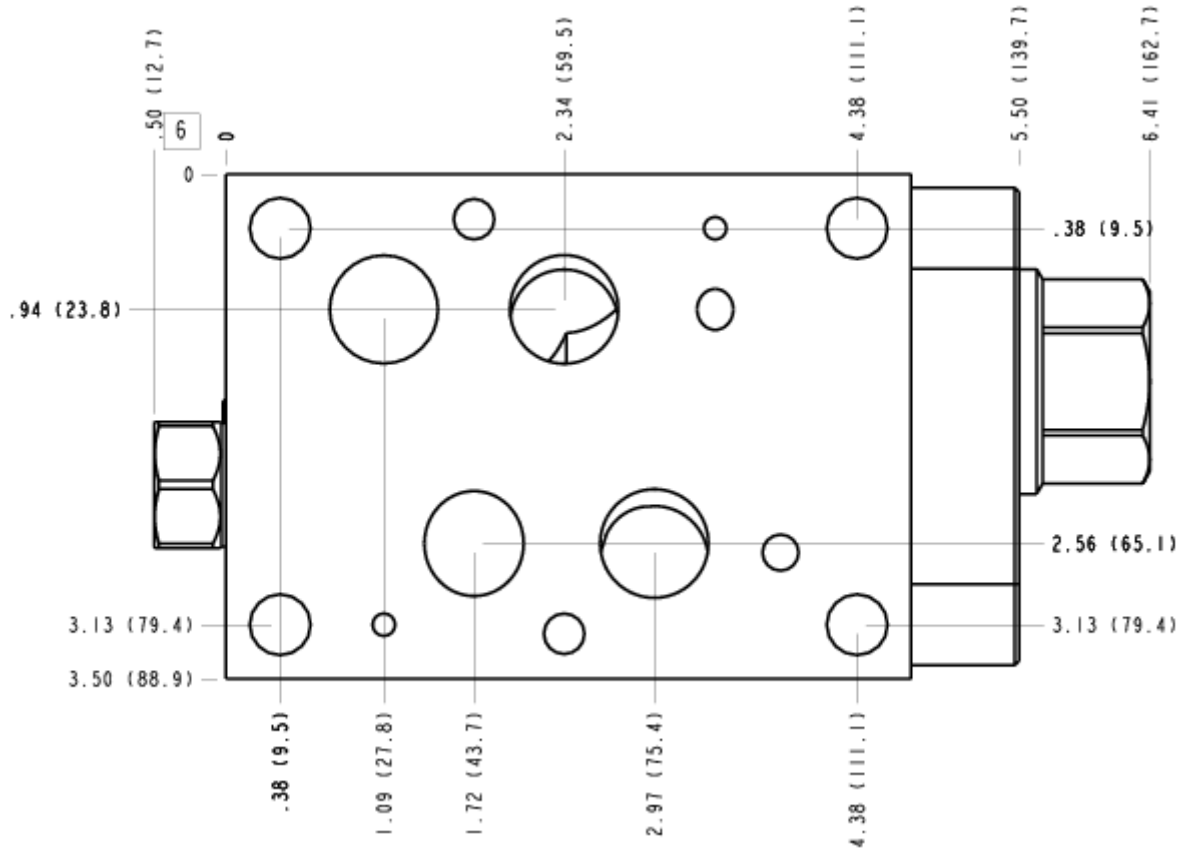
FACE 2



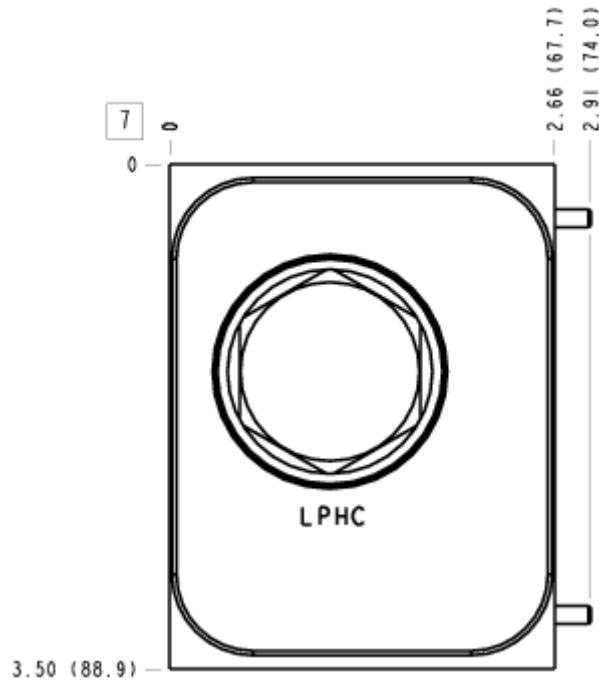
FACE 5



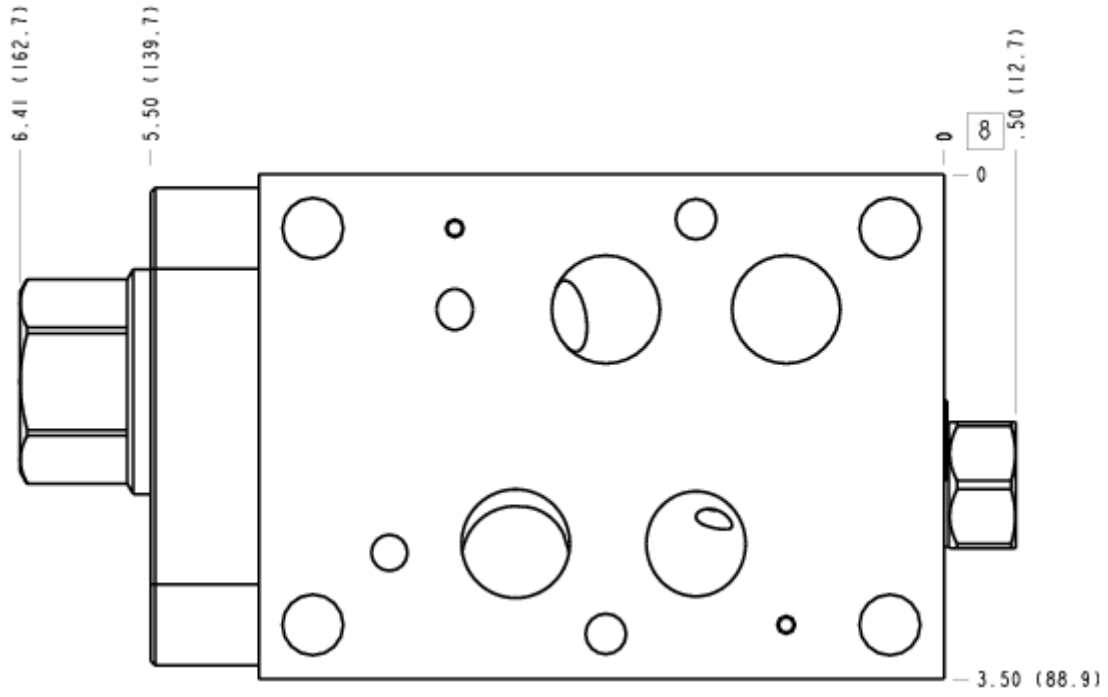
FACE 6



FACE 7



FACE 8



FACE 10

