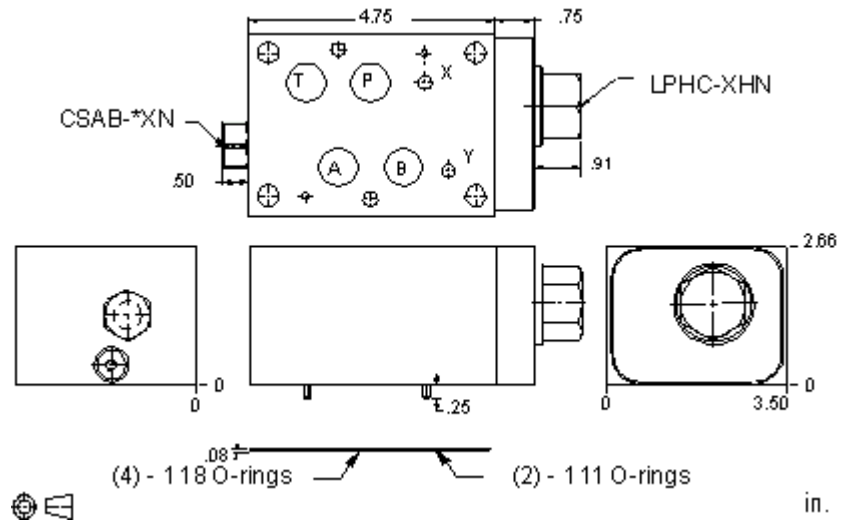


Restrictive pressure compensator with load sense port

### CONFIGURATION

<b>X</b> Control	Not Adjustable
<b>F</b> Differential Pressure	100 psi (7 bar)
<b>N</b> Seal Material	Buna-N
<b>A</b> Primary Cartridge	A (with LPHC primary cartridge, Normalmente abierto, elementos de modulación)



### TECHNICAL DATA NOTE: DATA MAY VARY BY CONFIGURATION. SEE CONFIGURATION SECTION.

Body Type	aplilables
Interface	ISO 07
Capacity	160 L/min.
Body Features	alimentación regulada en P
Operating Characteristic	restrictiva
Seal Plate Included (see notes)	Yes
Stack Height	70 mm

**OPTION SELECTION EXAMPLE: YFFFXFNA**

CONTROL	(X) DIFFERENTIAL PRESSURE	(F) SEAL MATERIAL	(N)
<b>X</b> Not Adjustable	<b>F</b> 100 psi (7 bar)	<b>N</b> Buna-N	
	<b>G</b> 150 psi (10,5 bar)	<b>V</b> Viton	
	<b>H</b> 200 psi (14 bar)		
<b>PRIMARY CARTRIDGE</b>			<b>(A)</b>
<b>A</b>	A (with LPHC primary cartridge, Normalmente abierto, elementos de modulación )		
<b>A</b>	A (with LPHCL primary cartridge, Ajustable, normalmente abierto, elementos de modulación )		