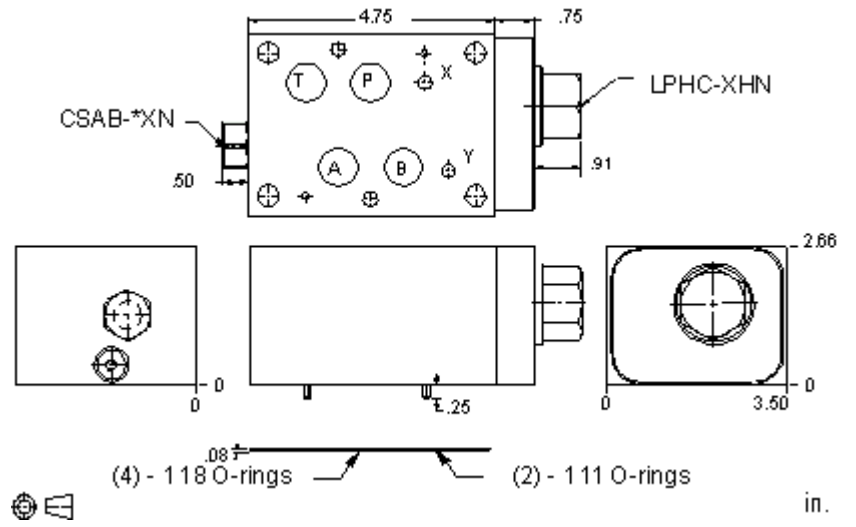


Restriuctive pressure compensator with load sense port



CONFIGURATION OPTIONS

Model Code Example: YFFFXHNAB

CONTROL	(X)	DIFFERENTIAL PRESSURE	(H)	SEAL MATERIAL	(N)
X	Not Adjustable	H	200 psi (14 bar)	N	Buna-N
		D	50 psi (3,5 bar)	V	Viton
		F	100 psi (7 bar)		

PRIMARY CARTRIDGE

(A)

A	A (with LPHC primary cartridge, Normalmente abierto, elementos de modulación)
A	A (with LPHCL primary cartridge, Ajustable, normalmente abierto, elementos de modulación)

INCLUDED COMPONENTS

Part	Description	Quantity
500-001-111*	O-Ring	2
500-001-118*	O-Ring	4
700-006*	Seal Plate	1
811-001-006*	Pin	2
A330-006-004*	SAE Plug	1
CSABAXN	Cartridge	1
LPHCXHN	Cartridge - Primary	1