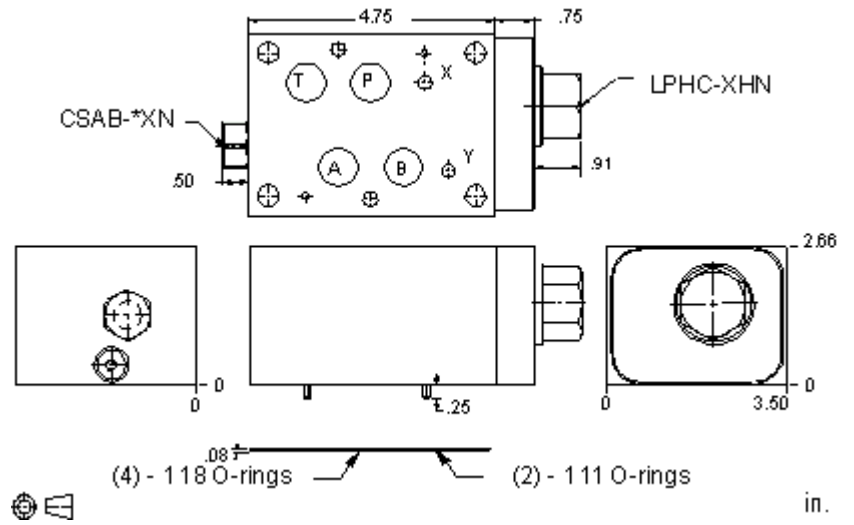


Restrictive pressure compensator with load sense port



**TECHNICAL DATA** NOTE: DATA MAY VARY BY CONFIGURATION. SEE CONFIGURATION SECTION.

	ISO 07
( )	
	P

**CONFIGURATION OPTIONS**

**Model Code Example: YFFFXHNAB**

(X)

(H)

(N)

<b>X</b>	<b>H</b> 200 psi (14 bar)	<b>N</b>
	<b>D</b> 50 psi (3,5 bar)	<b>V</b>
	<b>F</b> 100 psi (7 bar)	

**PRIMARY CARTRIDGE**

(A)

<b>A</b>	A (with LPHC primary cartridge, , )
<b>A</b>	A (with LPHCL primary cartridge, , , )

**INCLUDED COMPONENTS**

Part	Description	Quantity
500-001-111*	O-Ring	2
500-001-118*	O-Ring	4
700-006*	Seal Plate	1
811-001-006*	Pin	2
A330-006-004*	SAE Plug	1
CSABAXN	Cartridge	1
LPHCXHN	Cartridge - Primary	1