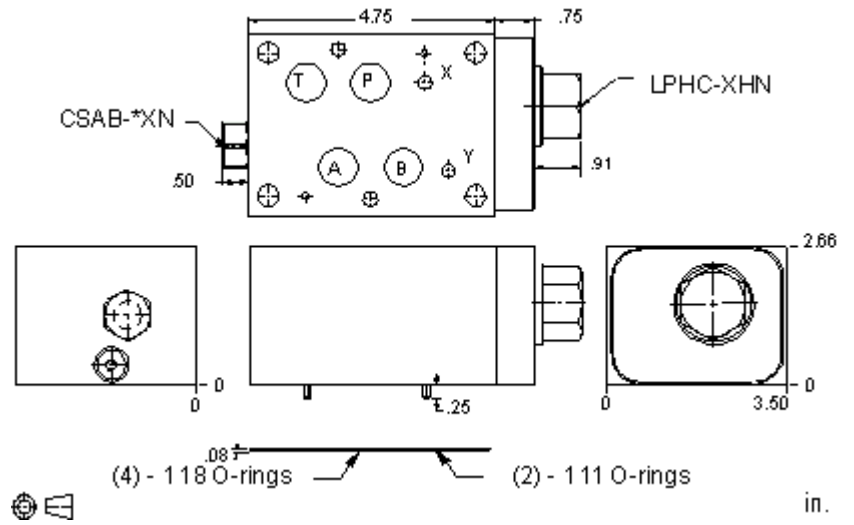


Restrictiva pressure compensator with load sense port



### TECHNICAL DATA

Body Type	Sandwich
Interface	ISO 07
Capacity	160 L/min.
Body Features	Meter in P
Operating Characteristic	Restrictive
Seal Plate Included (see notes)	Yes
Stack Height	70 mm

**OPTION SELECTION EXAMPLE: YFFFXHNAB**

CONTROL	(X) DIFFERENTIAL PRESSURE	(H) SEAL MATERIAL	(N)
<b>X</b> Not Adjustable	<b>H</b> 200 psi (14 bar)	<b>N</b> Buna-N	
	<b>D</b> 50 psi (3,5 bar)	<b>V</b> Viton	
	<b>F</b> 100 psi (7 bar)		

**PRIMARY CARTRIDGE (A)**

<b>A</b>	A (with LPHC primary cartridge, Normalmente abierto, elementos de modulación )
<b>A</b>	A (with LPHCL primary cartridge, Ajustable, normalmente abierto, elementos de modulación )

**INCLUDED COMPONENTS**

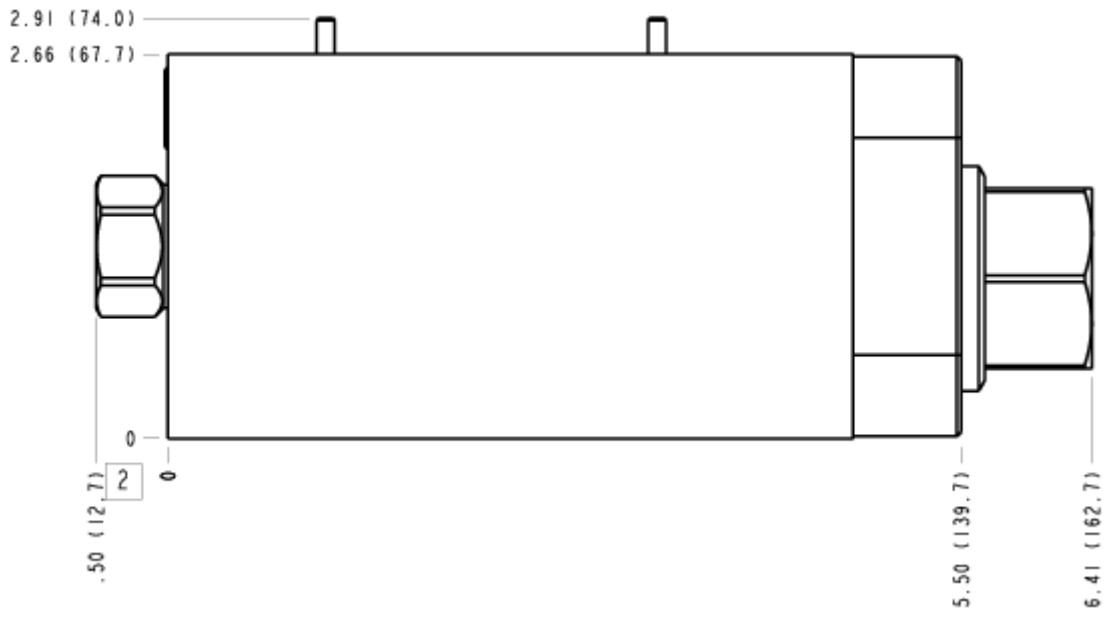
Part	Description	Quantity
500-001-111*	O-Ring	2
500-001-118*	O-Ring	4
700-006*	Seal Plate	1
811-001-006*	Pin	2
A330-006-004*	SAE Plug	1
CSABAXN	Cartridge	1
LPHCXHN	Cartridge - Primary	1

**MANIFOLD FACES**

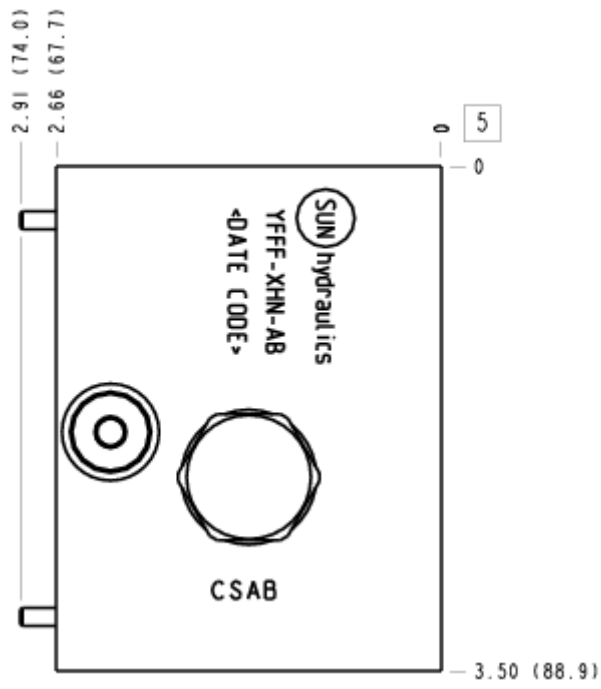
**FACE GRID**

1	2	3	4
5	6	7	8
9	10	11	12

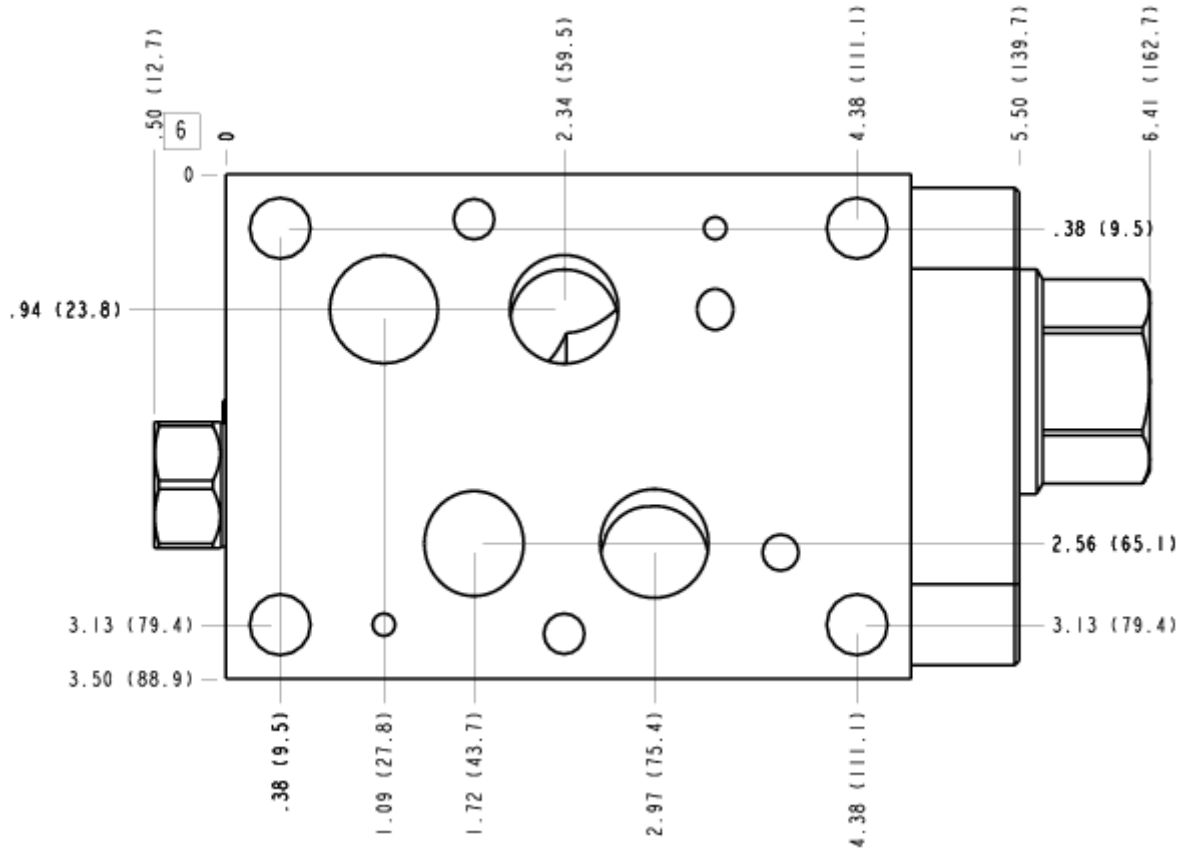
FACE 2



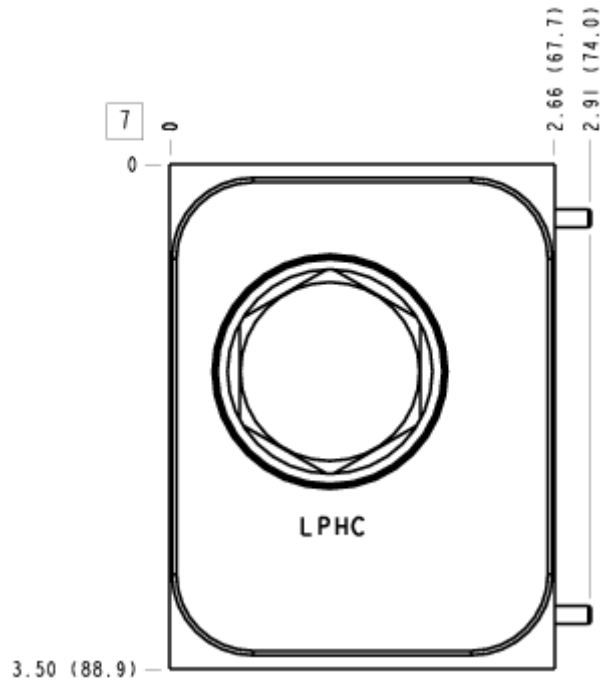
FACE 5



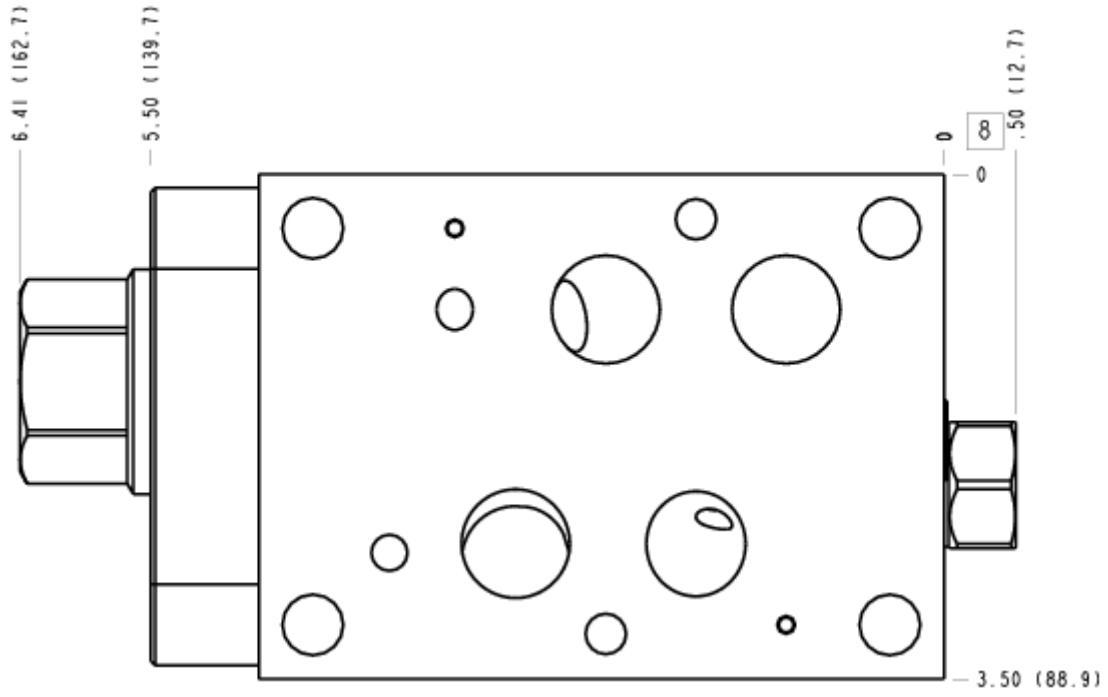
### FACE 6



### FACE 7



### FACE 8



### FACE 10

