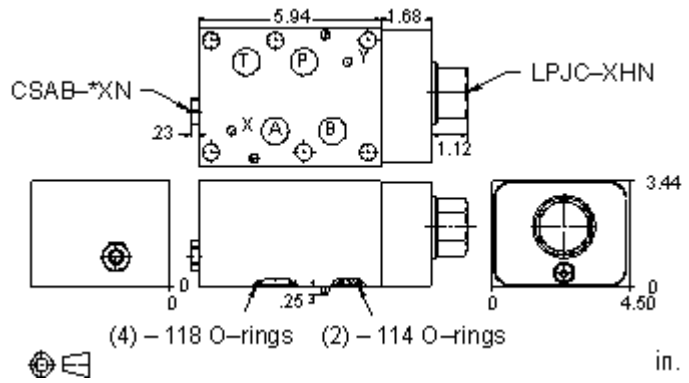


Restrictive pressure compensator



### TECHNICAL DATA

Body Type	Sandwich
Interface	ISO 08
Capacity	320 L/min.
Body Features	Meter in P
Operating Characteristic	Restrictive
Seal Plate Included (see notes)	No
Stack Height	87 mm

**OPTION SELECTION EXAMPLE: YFIAXHNCA**

CONTROL	(X) DIFFERENTIAL PRESSURE	(H) SEAL MATERIAL	(N)
<b>X</b> Not Adjustable	<b>H</b> 200 psi (14 bar)	<b>N</b> Buna-N	
	<b>D</b> 50 psi (3,5 bar)	<b>V</b> Viton	
	<b>F</b> 100 psi (7 bar)		

PRIMARY CARTRIDGE (C)

<b>C</b> C (with LPJC primary cartridge, Normalmente abierto, elementos de modulación )
---

**INCLUDED COMPONENTS**

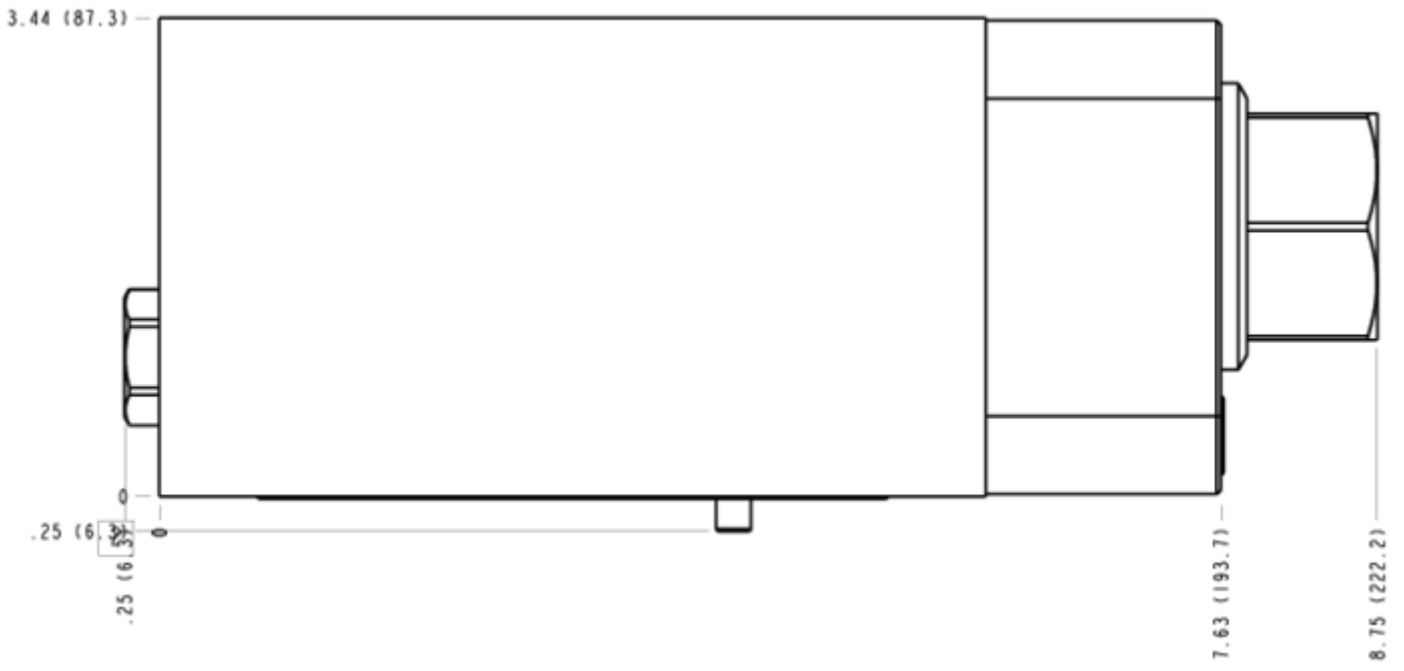
Part	Description	Quantity
500-001-114*	O-Ring	2
500-001-121*	O-Ring	4
811-001-002*	Locating Pin	1
A330-006-004*	SAE Plug	1
CSABXXN	Cartridge	1
LPJCXHN	Cartridge - Primary	1

**MANIFOLD FACES**

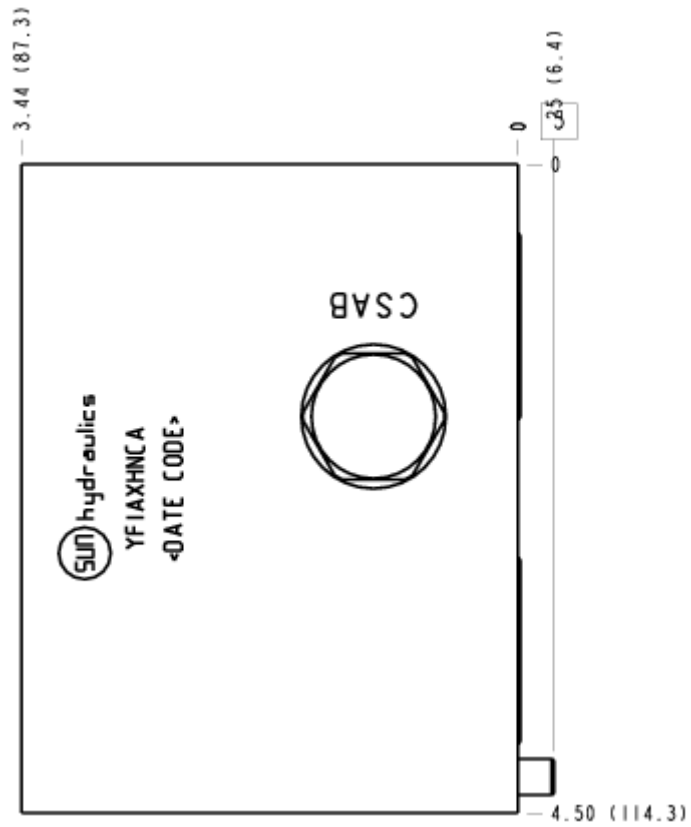
**FACE GRID**

1	2	3	4
5	6	7	8

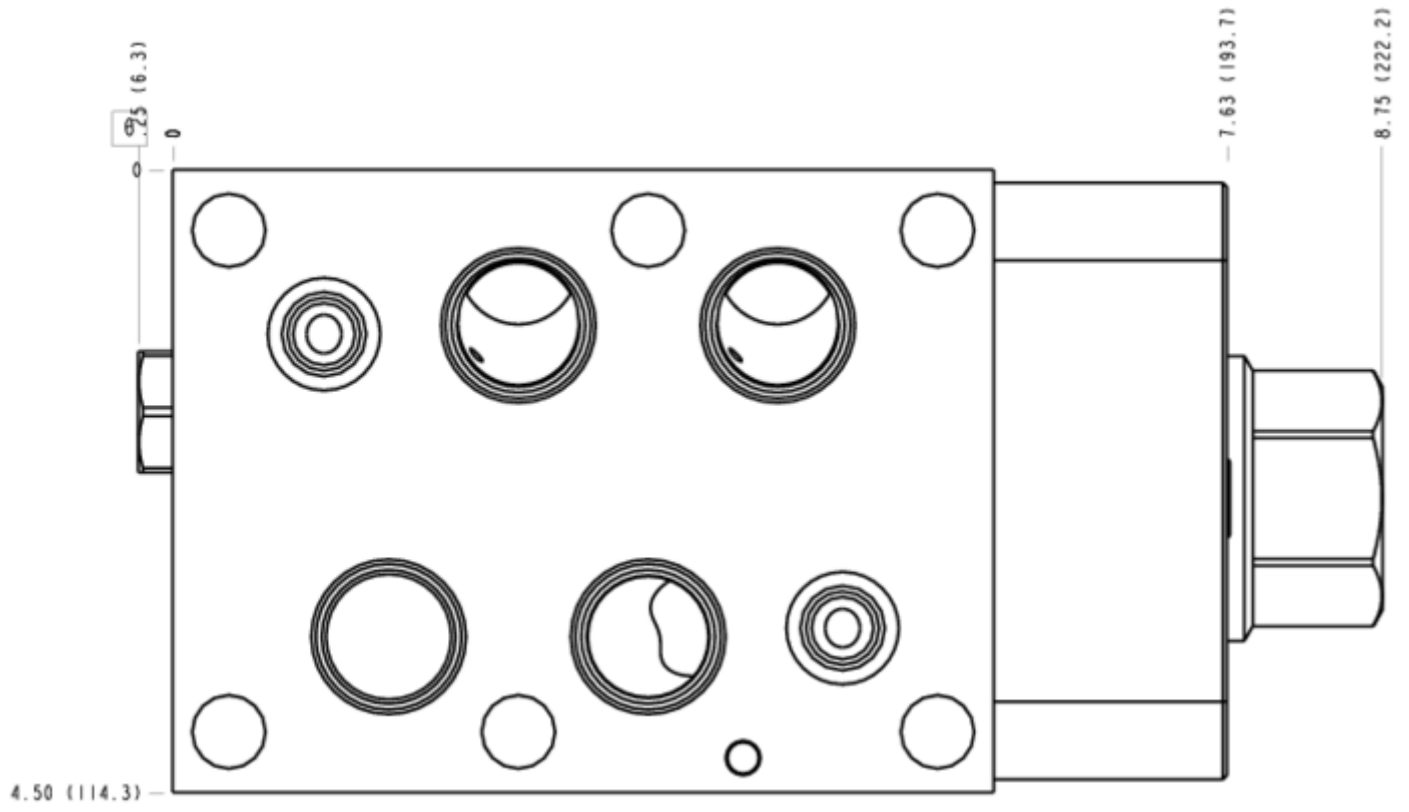
FACE 2



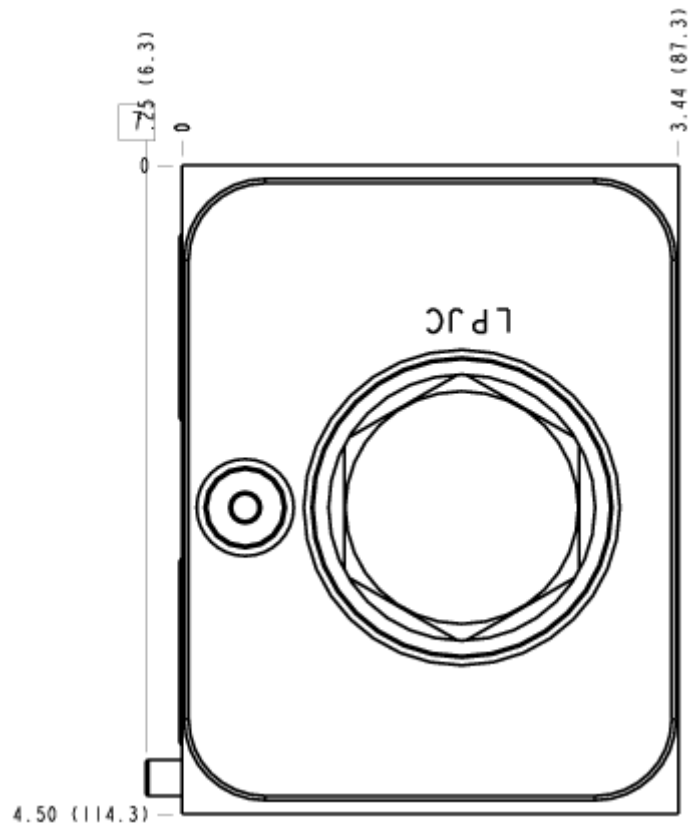
FACE 5



FACE 6



FACE 7



FACE 8

