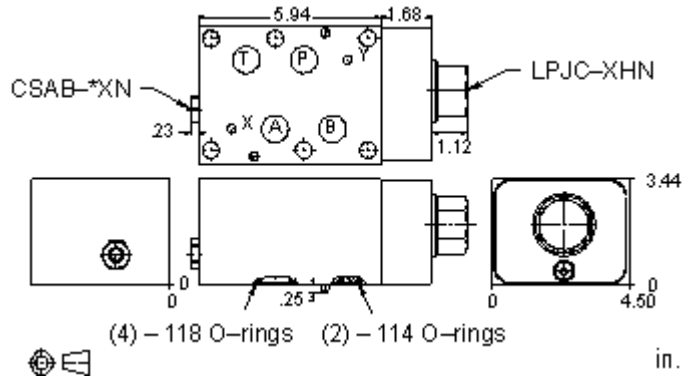


Restricitive pressure compensator with load sense port

CONFIGURATION

X Control	Not Adjustable
F Differential Pressure	100 psi (7 bar)
N Seal Material	Buna-N
C Primary Cartridge	C (with LPJC primary cartridge, Normalmente abierto, elementos de modulación)
A Port and Material Designation	A Aluminum


TECHNICAL DATA

NOTE:

Parameter	Value	Notes
Body Type	apilables	DATA
Interface	ISO 08	MAY
Capacity	320 L/min.	VARY
Body Features	alimentación regulada en P	BY
Operating Characteristic	restrictiva	
Seal Plate Included (see notes)	No	
Stack Height	87 mm	

CONFIGURATION. SEE CONFIGURATION SECTION.

OPTION SELECTION EXAMPLE: YFIBXFNCA

CONTROL		(X) DIFFERENTIAL PRESSURE	(F) SEAL MATERIAL	(N)	
X	Not Adjustable	F	100 psi (7 bar)	N	Buna-N
L	Tuning Adjustment	G	150 psi (10,5 bar)	V	Viton
P	External 1/4 NPTF Pilot Port, Port 3 Blocked	H	200 psi (14 bar)		

PRIMARY CARTRIDGE		(C)
C	C (with LPJC primary cartridge, Normalmente abierto, elementos de modulación)	

INCLUDED COMPONENTS

Part	Description	Quantity
500-001-114*	O-Ring	2
500-001-121*	O-Ring	4
811-001-002*	Locating Pin	1
A330-006-004*	SAE Plug	1
CSABAXN	Cartridge	1
LPJCXFN	Cartridge - Primary	1