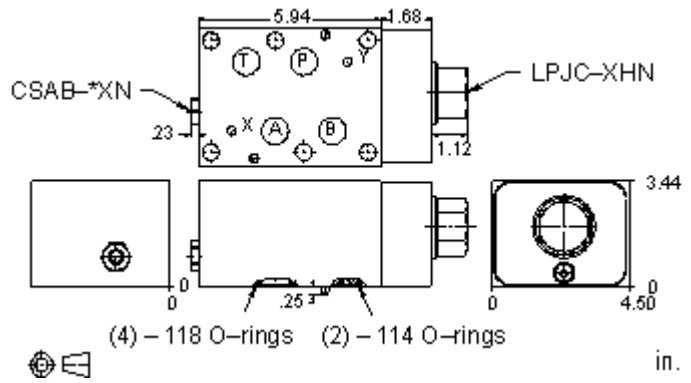


Restrictive pressure compensator with load sense port



CONFIGURATION OPTIONS

Model Code Example: YFIBXHNCA

CONTROL	(X)	DIFFERENTIAL PRESSURE	(H)	SEAL MATERIAL	(N)
X	Not Adjustable	H	200 psi (14 bar)	N	Buna-N
		D	50 psi (3,5 bar)	V	Viton
		F	100 psi (7 bar)		

PRIMARY CARTRIDGE

(C)

C	C (with LPJC primary cartridge, Normalmente abierto, elementos de modulación)
---	--

INCLUDED COMPONENTS

Part	Description	Quantity
500-001-114*	O-Ring	2
500-001-121*	O-Ring	4
811-001-002*	Locating Pin	1
A330-006-004*	SAE Plug	1
CSABAXN	Cartridge	1
LPJCXHN	Cartridge - Primary	1