

TECHNICAL DATA

Body Type	Sandwich
Interface	ISO 08
Capacity	480 L/min.
Body Features	Meter in P

OPTION SELECTION EXAMPLE: YFICXHNCA

CONTROL	(X) DIFFERENTIAL PRESSURE	(H) SEAL MATERIAL	(N)
X Not Adjustable	H 200 psi (14 bar)	N Buna-N	
	D 50 psi (3,5 bar)	V Viton	
	F 100 psi (7 bar)		

PRIMARY CARTRIDGE (C)

C C (with LRJC primary cartridge, Normalmente cerrado, elementos de modulación)
--

INCLUDED COMPONENTS

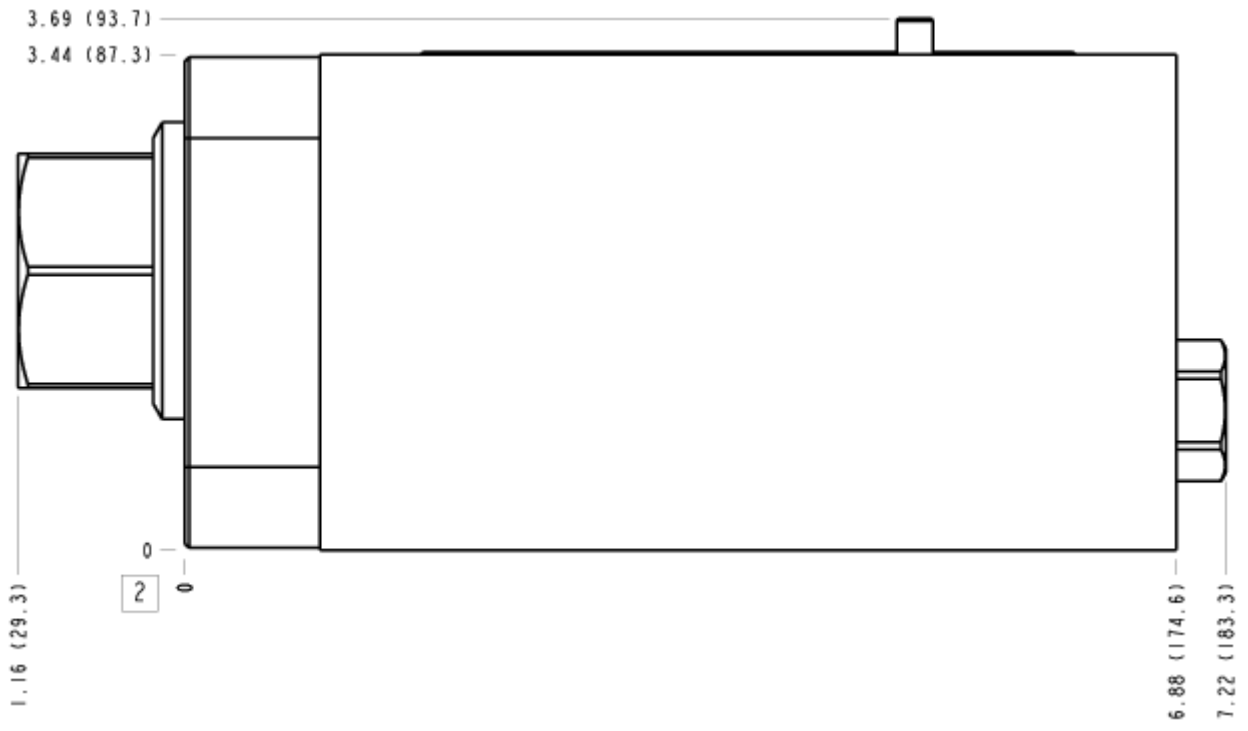
Part	Description	Quantity
500-001-114*	O-Ring	2
500-001-121*	O-Ring	4
811-001-002*	Locating Pin	1
A330-006-004*	SAE Plug	1
CSABXXN	Cartridge	1
LRJCXHN	Cartridge - Primary	1

MANIFOLD FACES

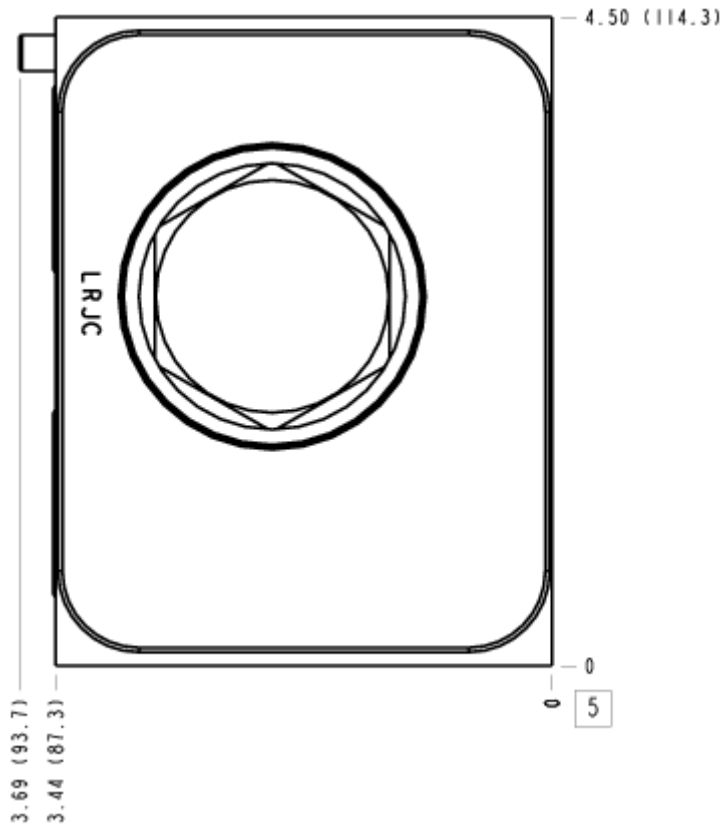
FACE GRID

1	2	3	4
5	6	7	8
9	10	11	12

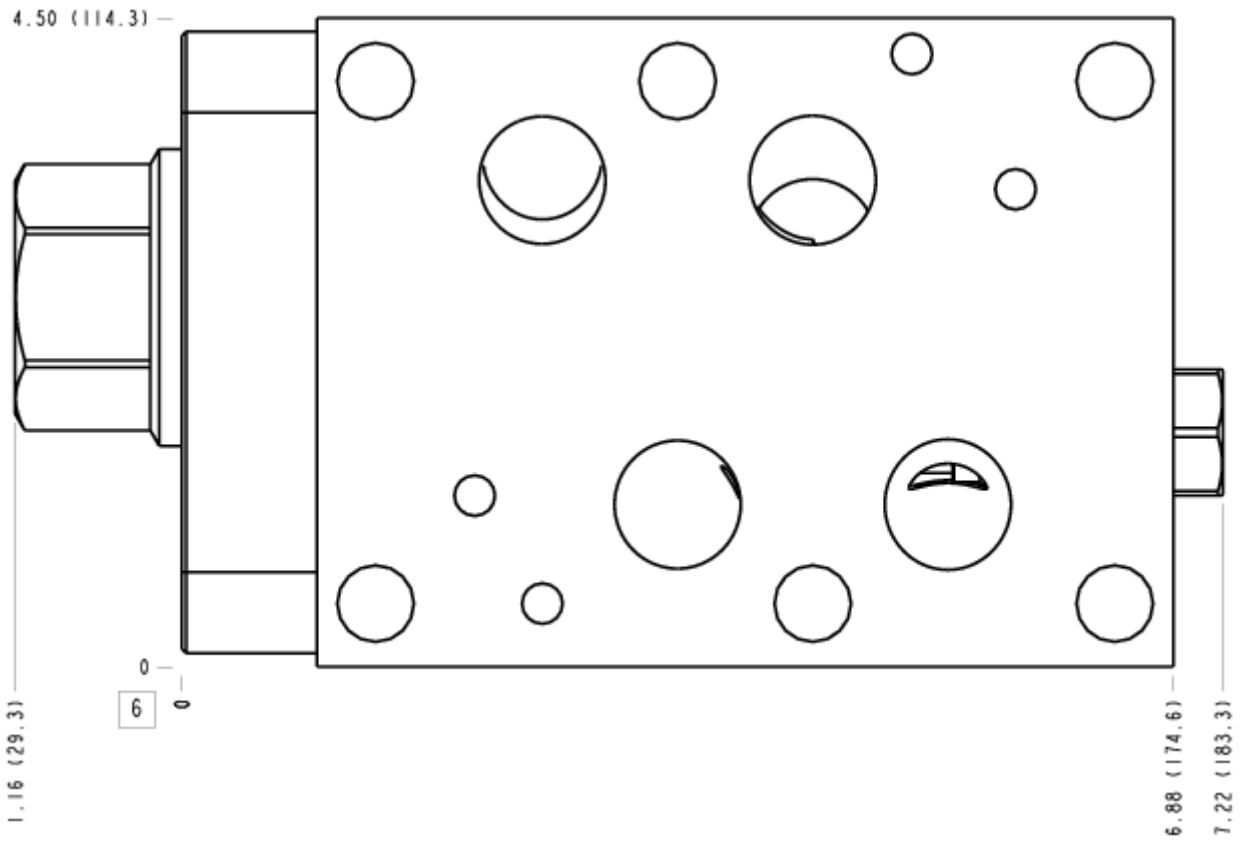
FACE 2



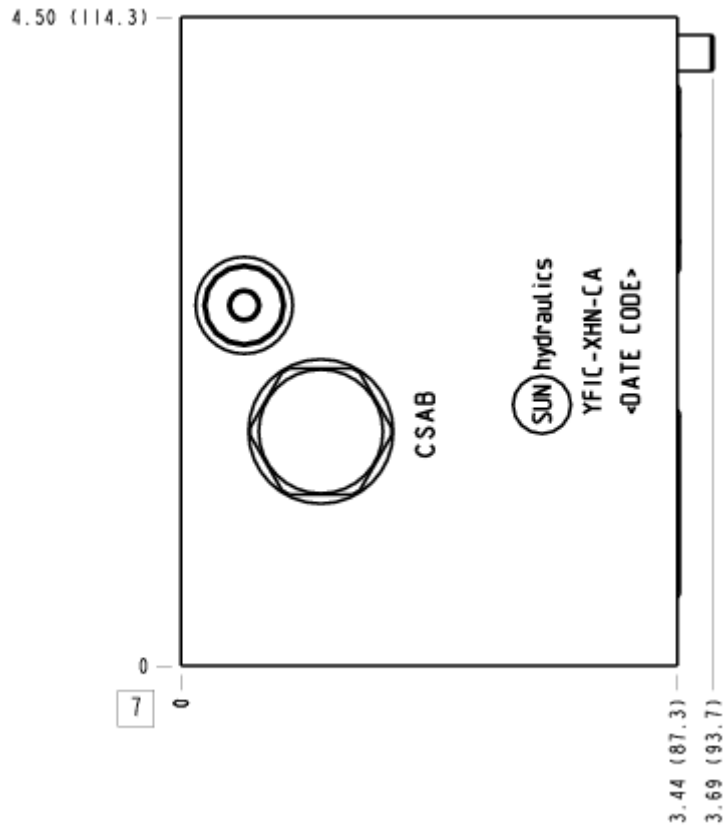
FACE 5



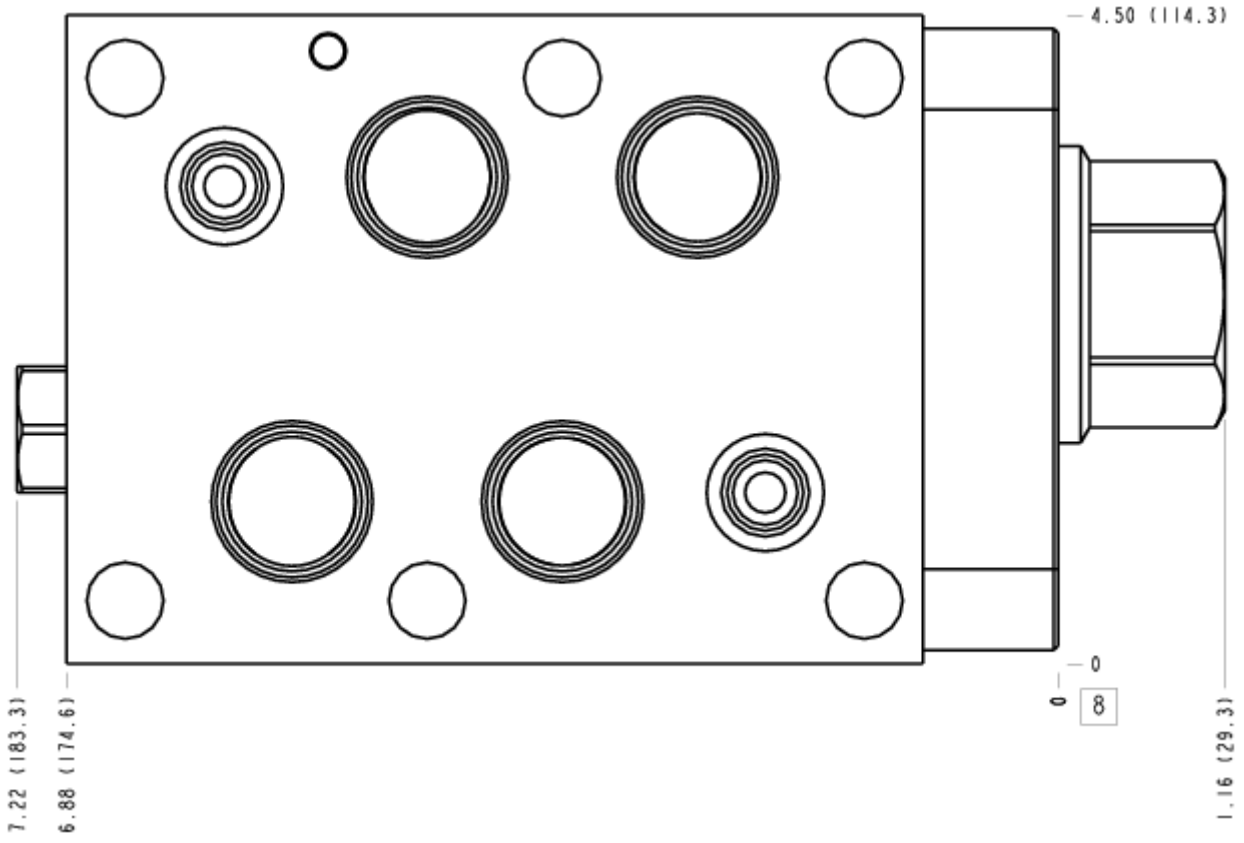
FACE 6



FACE 7



FACE 8



FACE 10

