

### TECHNICAL DATA

Body Type	Line mount
Capacity	6 - 30 L/min.
Mounting Hole Thread	.375-16 UNC - 2B in.
Mounting Hole Depth	15,7 mm
Mounting Hole Quantity	2

**OPTION SELECTION EXAMPLE: YGCRXANAJ**

<b>CONTROL</b>	<b>(X) FLOW SPLIT</b>	<b>(A) SEAL MATERIAL</b>	<b>(N)</b>
<b>X</b> Not Adjustable	<b>A</b> 50/50	<b>N</b> Buna-N	
		<b>V</b> Viton	

<b>PRIMARY CARTRIDGE</b>	<b>(A)</b>
<b>A</b> A (with FSCS primary cartridge, Sincronizando , divisor / combinador de caudal válvula )	

**INCLUDED COMPONENTS**

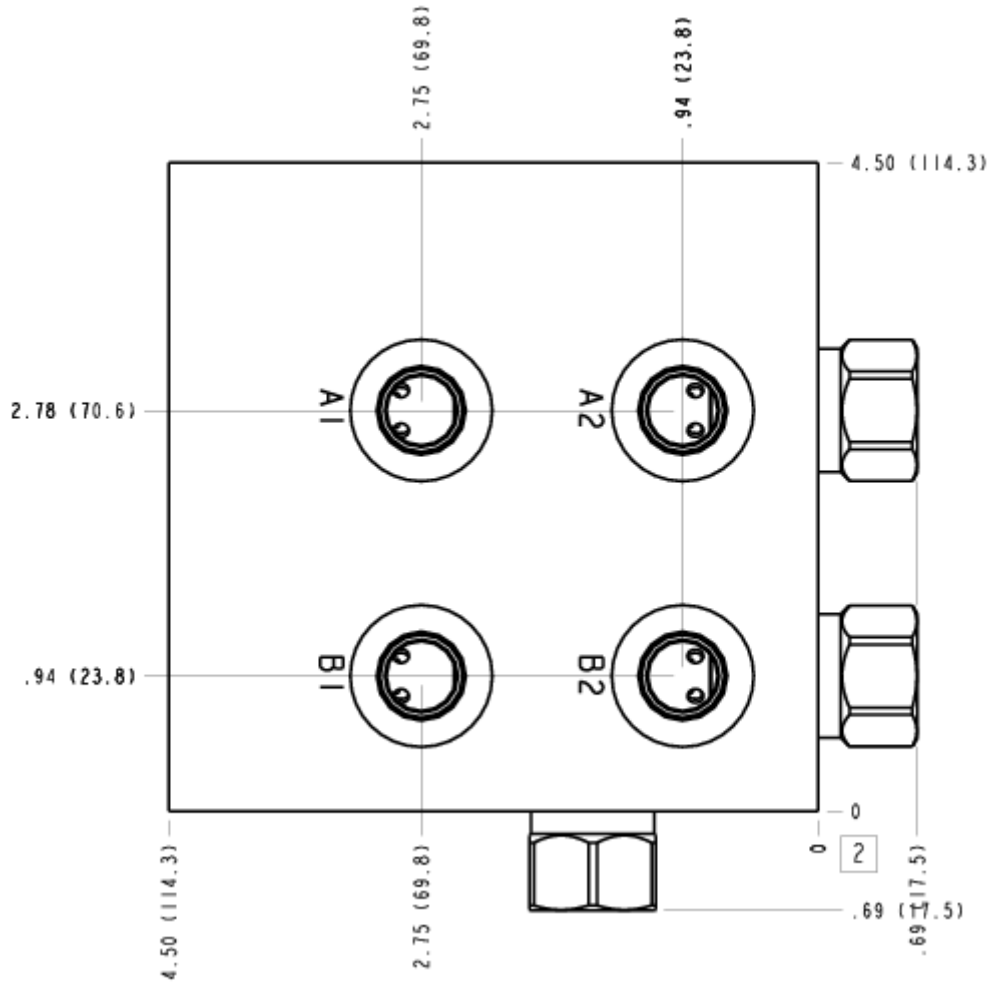
Part	Description	Quantity
A330-006-006*	SAE Plug	2
FSBSXAN	Cartridge	2
FSCSXAN	Cartridge - Primary	1

**MANIFOLD FACES**

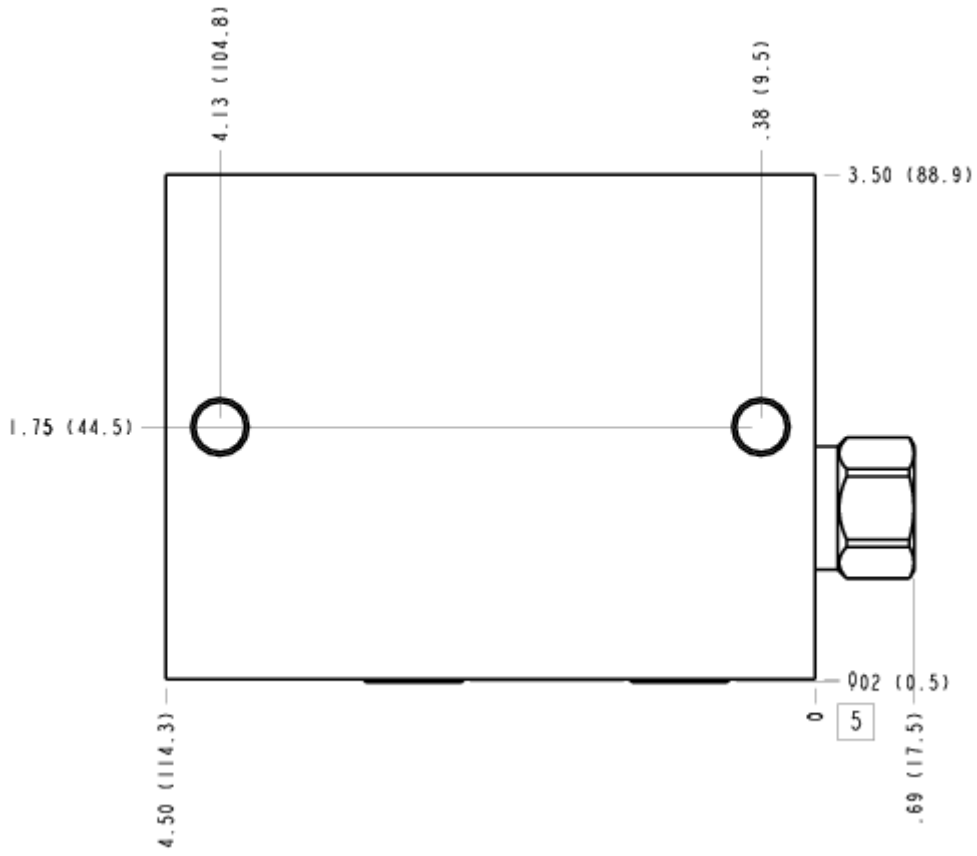
**FACE GRID**

1	2	3	4
5	6	7	8
9	10	11	12

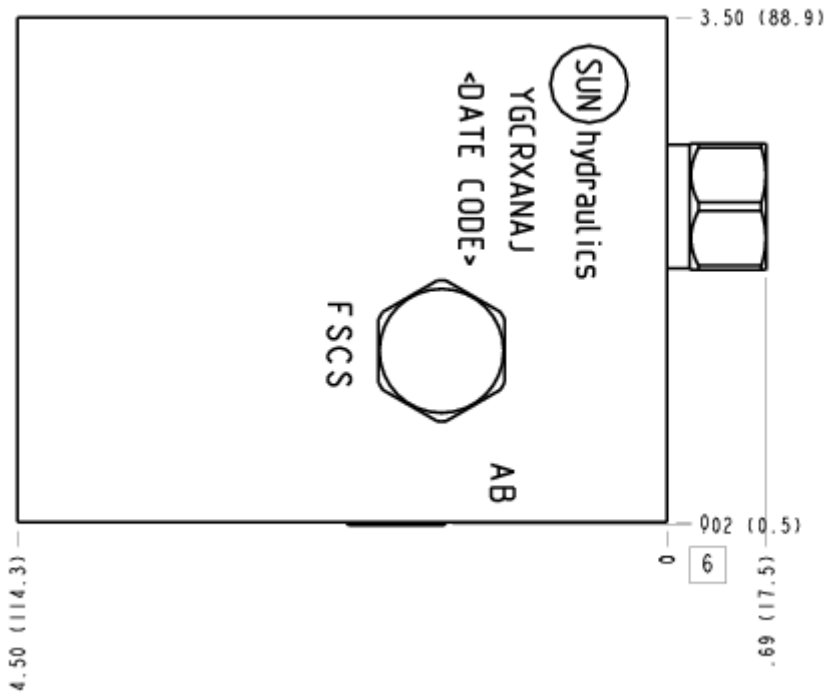
FACE 2



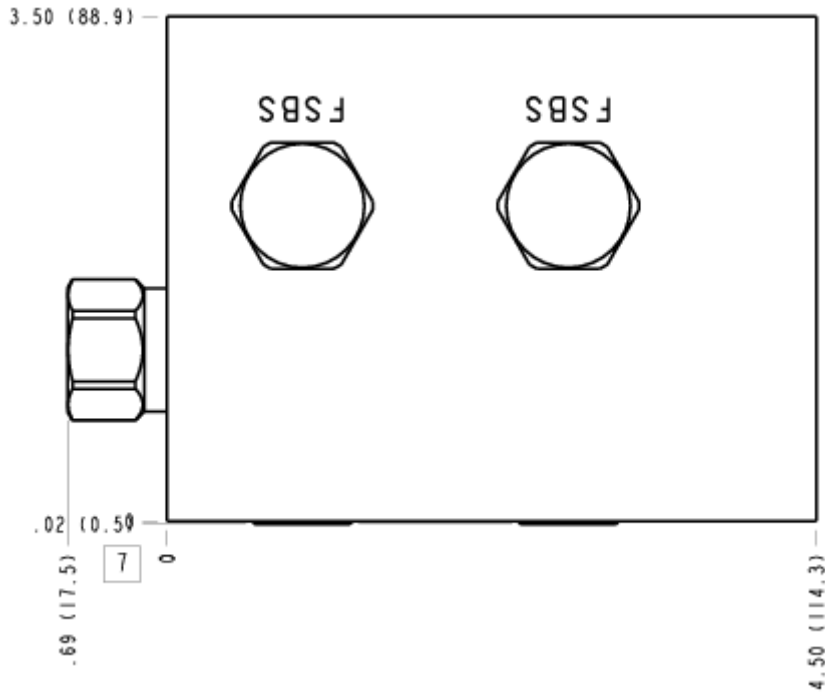
### FACE 5



### FACE 6



FACE 7



FACE 10

