

**TECHNICAL DATA** NOTE: DATA MAY VARY BY CONFIGURATION. SEE CONFIGURATION SECTION.

	6 - 30 L/min.
	.375-16 UNC - 2B in.
	15,7 mm
	2

**OPTION SELECTION EXAMPLE: YGCRXANAJ**

(X) (A) (N)

X	A 50/50	N
---	---------	---

V

**PRIMARY CARTRIDGE**

(A)

A	A (with FSCS primary cartridge, , - )
---	---------------------------------------

**INCLUDED COMPONENTS**

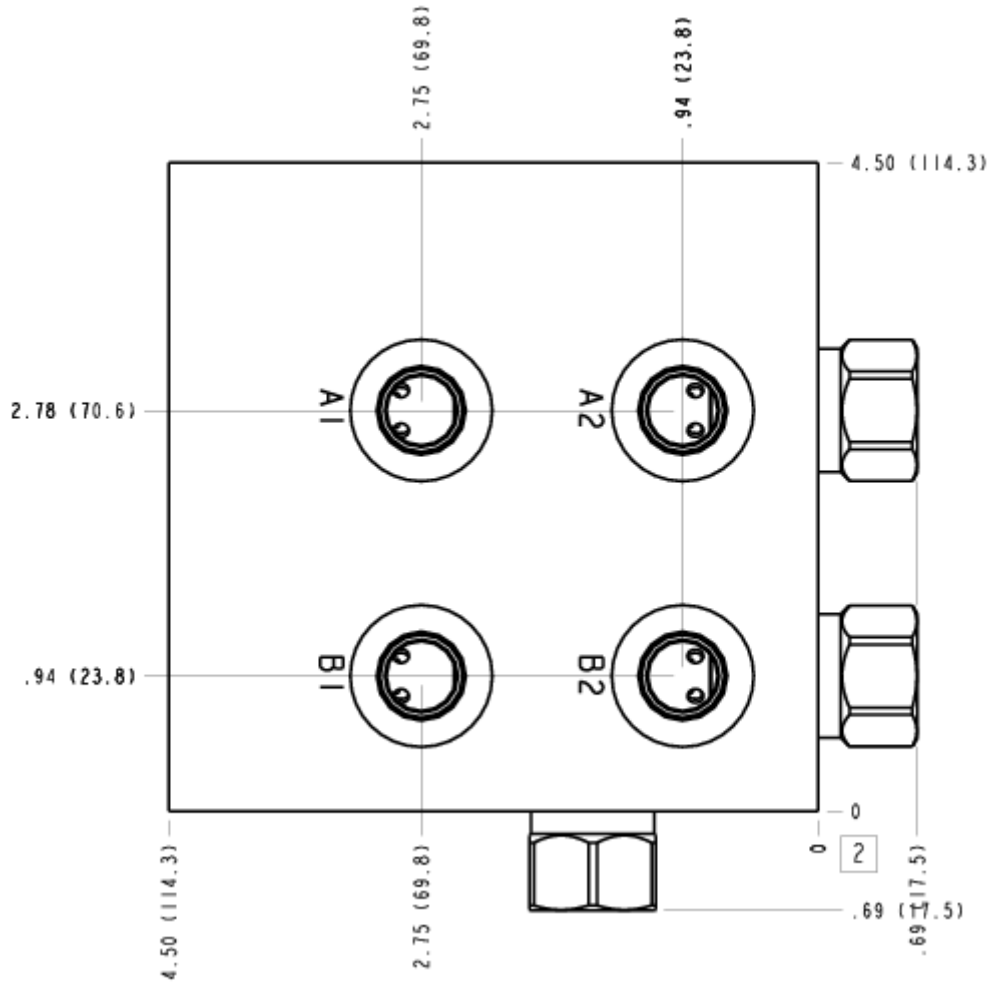
Part	Description	Quantity
A330-006-006*	SAE Plug	2
FSBSXAN	Cartridge	2
FSCSXAN	Cartridge - Primary	1

**MANIFOLD FACES**

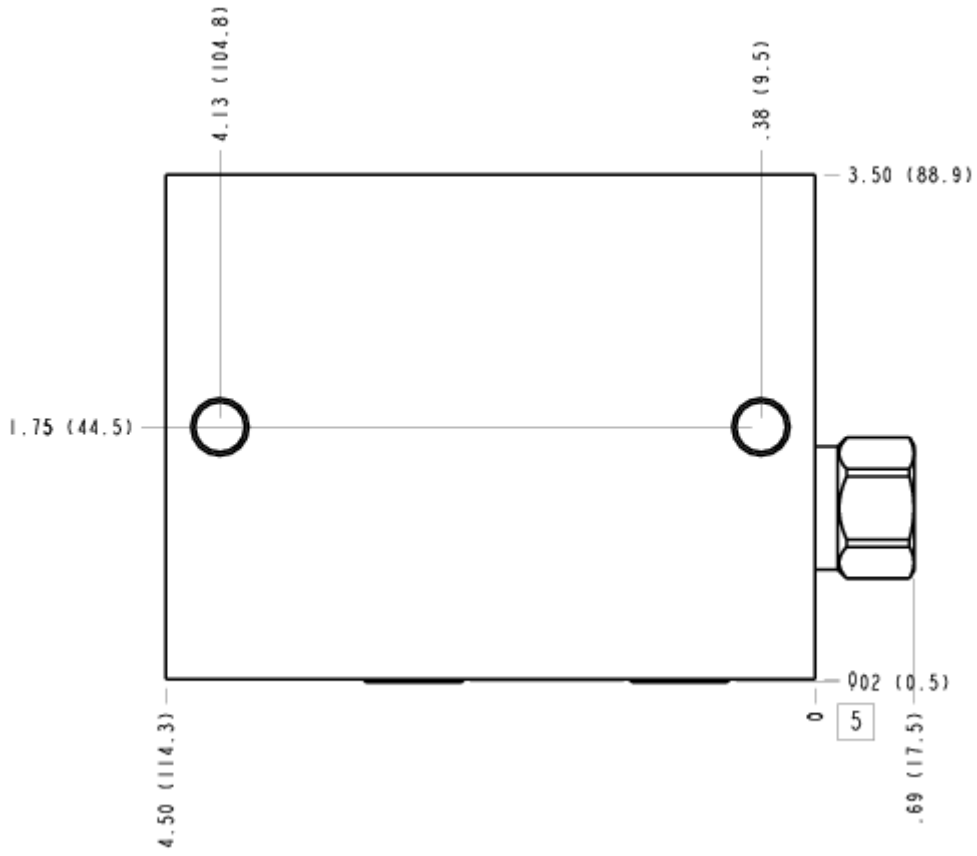
**FACE GRID**

1	2	3	4
5	6	7	8
9	10	11	12

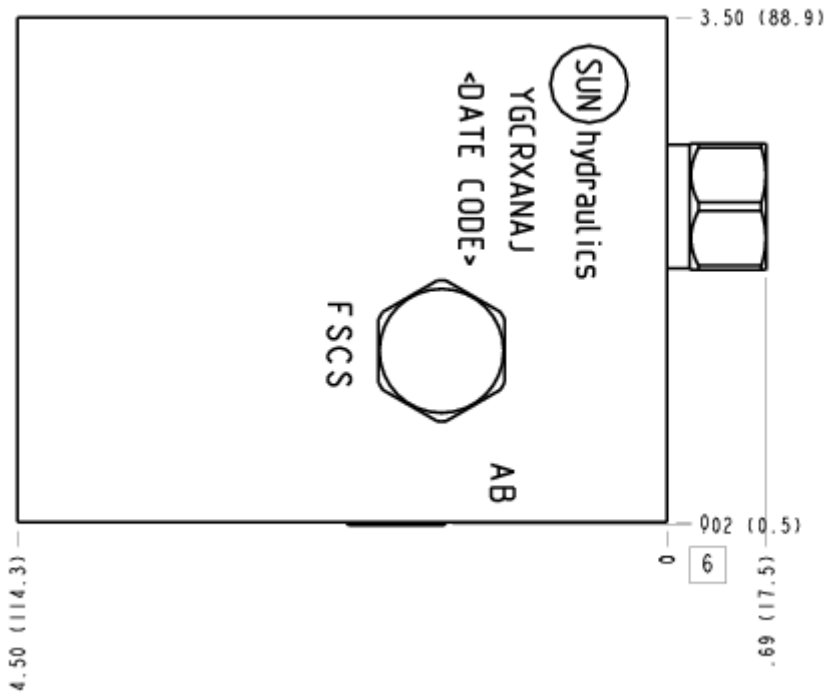
FACE 2



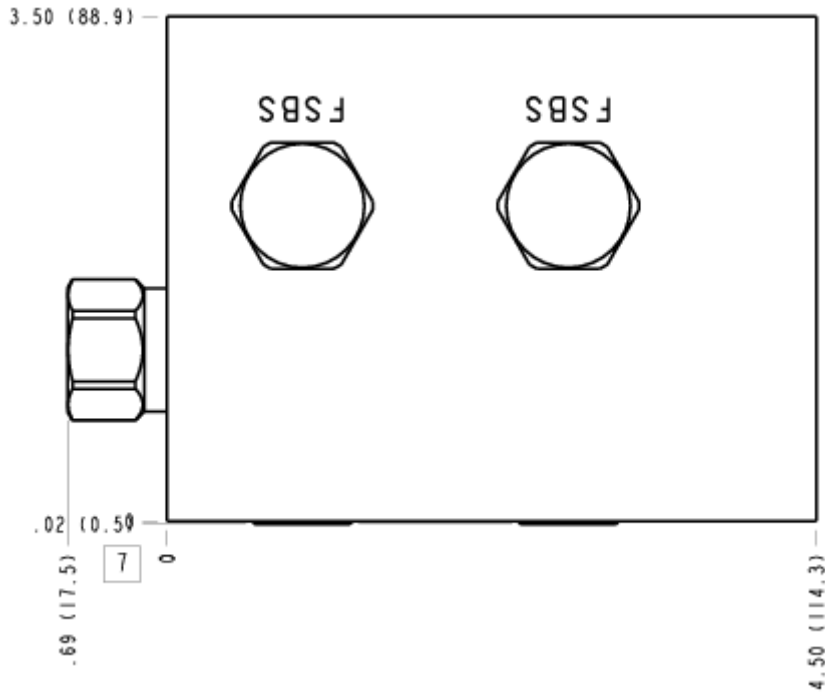
### FACE 5



### FACE 6



FACE 7



FACE 10

